



# CYBERNETIK TECHNOLOGIES PVT LTD

GAT NO.365,URWADE,MUTHA ROAD,MULSHI.  
 PUNE:412108  
 Phone. 020-39152307

PROJECT CODE : HA-382  
 Project description HA-382 VOLVO FRANCE  
 PROCESS AREA :

Manufacturer (company) CYBERNETIK TECHNOLOGIES PVT LTD  
 Path D:\SHITAL PROJECTS-11-12\HA-382 VOLVO FRANCE\MASTER 1-6-12\HA 382 VOLVO FRANCE.elk  
 Project name HA 382 VOLVO FRANCE  
 make CTPL  
 Type AUTOMATION  
 Place of installation +ET1

Drawn by SHITAL

Number of pages 170

DOCUMENT ID : CY/DD/R/07

REV : 00



CYBERNETIK TECHNOLOGIES  
 PVT.LTD, PUNE

	Date	Name
DRAWN		SHITAL
CHECKED		
APPROVED		

PROJECT DESCRIPTION
HA-382 VOLVO FRANCE

TITLE
COVERPAGE

PROJECT CODE:-	<b>HA-382</b>
DRAWING NUMBER :-	
Page	1
Pages	170

I/O LIST FOR HA-382 VALVO FRANCE								
CPU-S7 317 PN/DP+32 DI+16DI X16DI+32 DO+8DO								
S.N.	I/P	Description	Device	Tags	O/P	Description	Device	Tags
1	I:0/0	AUTO/MANUAL	SELECTOR SW.	S3	Q:8/0	RED	LAMP	H5
2	I:0/1	SYSTEM START	PUSH BUTTON	S4	Q:8/1	YELLOW	LAMP	H6
3	I:0/2	ZONE -1 SAFETY I/P	CONTACT	K101/102	Q:8/2	GREEN	LAMP	H7
4	I:0/3	ZONE -2 SAFETY I/P	CONTACT	K103/104	Q:8/3	BUZZER	BUZZER	BZ1
5	I:0/4	ZONE -3 SAFETY I/P	CONTACT	K105/106	Q:8/4	SYSTEM START LAMP	LAMP	H8
6	I:0/5	ZONE -4 SAFETY I/P	CONTACT	K107/108	Q:8/5	SPARE	SPARE	
7	I:0/6	ZONE-1 EMG STOP-1	CONTACT	ES-1	Q:8/6	DOOR-1 OPEN	RELAY	RO1
8	I:0/7	ZONE-2 EMG STOP-2	CONTACT	ES-2	Q:8/7	DOOR-1 CLOSE	RELAY	RO2
9	I:1/0	ZONE-3 EMG STOP-3	CONTACT	ES-3	Q:9/0	DOOR-2 OPEN	RELAY	RO3
10	I:1/1	ZONE-4 EMG STOP-4	CONTACT	ES-4	Q:9/1	DOOR-2 CLOSE	RELAY	RO4
11	I:1/2	ZONE-1 LIGHT CURTAIN -1	CONTACT	R4+R5	Q:9/2	DOOR-3 OPEN	RELAY	RO5
12	I:1/3	ZONE-1 LIGHT CURTAIN -2	CONTACT	R6+R7	Q:9/3	DOOR-3 CLOSE	RELAY	RO6
13	I:1/4	ZONE-1 LIGHT CURTAIN -3	CONTACT	R8+R9	Q:9/4	DOOR-4 OPEN	RELAY	RO7
14	I:1/5	ZONE-1 LIGHT CURTAIN -4	CONTACT	R10+R11	Q:9/5	DOOR-4 CLOSE	RELAY	RO8
15	I:1/6	ZONE-1 LIGHT CURTAIN -5	CONTACT	R12+R13	Q:9/6	DOOR-5 OPEN	RELAY	RO9
16	I:1/7	ZONE-3 LIGHT CURTAIN -1	CONTACT	R30+R31	Q:9/7	DOOR-5 CLOSE	RELAY	RO10
17	I:2/0	ZONE-3 LIGHT CURTAIN -2	CONTACT	R32+R33	Q:10/0	DOOR-6 OPEN	RELAY	RO11
18	I:2/1	ZONE-3 LIGHT CURTAIN -3	CONTACT	R34+R35	Q:10/1	DOOR-6 CLOSE	RELAY	RO12
19	I:2/2	ZONE-3 LIGHT CURTAIN -4	CONTACT	R36+R37	Q:10/2	SPARE		
20	I:2/3	ZONE-3 LIGHT CURTAIN -5	CONTACT	R38+R39	Q:10/3	SPARE		
21	I:2/4	DOOR-1 OPEN	RELAY+PROXY SENSOR	RI01+PX282+PX283	Q:10/4	SPARE		
22	I:2/5	DOOR-1 CLOSE	RELAY+PROXY SENSOR	RI02+PX284+PX285	Q:10/5	SPARE		
23	I:2/6	DOOR-1 O/L	OVERLOAD CONTACT	RI03	Q:10/6	SPARE		
24	I:2/7	DOOR-2 OPEN	RELAY+PROXY SENSOR	RI04+PX286+PX287	Q:10/7	SPARE		
25	I:3/0	DOOR-2 CLOSE	RELAY+PROXY SENSOR	RI05+PX288+PX289	Q:11/0	SPARE		
26	I:3/1	DOOR-2 O/L	OVERLOAD CONTACT	RI06	Q:11/1	SPARE		
27	I:3/2	DOOR-3 OPEN	RELAY+PROXY SENSOR	RI07+PX290+PX291	Q:11/2	SPARE		
28	I:3/3	DOOR-3 CLOSE	RELAY+PROXY SENSOR	RI08+PX292+PX293	Q:11/3	SPARE		
29	I:3/4	DOOR-3 O/L	OVERLOAD CONTACT	RI09	Q:11/4	SPARE		
30	I:3/5	DOOR-4 OPEN	RELAY+PROXY SENSOR	RI10+PX294+PX295	Q:11/5	SPARE		
31	I:3/6	DOOR-4 CLOSE	RELAY+PROXY SENSOR	RI11+PX296+PX297	Q:11/6	SPARE		
32	I:3/7	DOOR-4 O/L	OVERLOAD CONTACT	RI12	Q:11/7	SPARE		
33	I:4/0	DOOR-5 OPEN	RELAY+PROXY SENSOR	RI13+PX298+PX299	Q:12/0	SPARE		
34	I:4/1	DOOR-5 CLOSE	RELAY+PROXY SENSOR	RI14+PX300+PX301	Q:12/1	SPARE		
35	I:4/2	DOOR-5 O/L	OVERLOAD CONTACT	RI15	Q:12/2	SPARE		
36	I:4/3	DOOR-6 OPEN	RELAY+PROXY SENSOR	RI16+PX302+PX303	Q:12/3	SPARE		
37	I:4/4	DOOR-6 CLOSE	RELAY+PROXY SENSOR	RI17+PX304+PX305	Q:12/4	SPARE		
38	I:4/5	DOOR-6 O/L	OVERLOAD CONTACT	RI18	Q:12/5	SPARE		
39	I:4/6	ZONE-2 LIMIT S/W-1	LIMIT SWITCH	LS1/3	Q:12/6	SPARE		
40	I:4/7	ZONE-2 LIMIT S/W-2	LIMIT SWITCH	LS2/3	Q:12/7	SPARE		
41	I:5/0	ZONE-2 LIMIT S/W-3	LIMIT SWITCH	LS3/3				
42	I:5/1	ZONE-2 LIMIT S/W-4	LIMIT SWITCH	LS4/3				
43	I:5/2	ZONE-2 LIMIT S/W-5	LIMIT SWITCH	LS5/3				
44	I:5/3	ZONE-2 LIMIT S/W-6	LIMIT SWITCH	LS6/3				
45	I:5/4	ZONE-2 LIMIT S/W-7	LIMIT SWITCH	LS7/3				
46	I:5/5	ZONE-2 LIMIT S/W-8	LIMIT SWITCH	LS8/3				
47	I:5/6	ZONE-2 LIMIT S/W-9	LIMIT SWITCH	LS9/3				
48	I:5/7	ZONE-2 LIMIT S/W-10	LIMIT SWITCH	LS10/3				

DOCUMENT ID : CY/DD/R/07  
REV : 00




CYBERNETIK TECHNOLOGIES  
PVT.LTD, PUNE

<table border="1"> <tr><td>Date</td><td>Name</td></tr> <tr><td>DRAWN</td><td>SHITAL</td></tr> <tr><td>CHECKED</td><td></td></tr> <tr><td>APPROVED</td><td></td></tr> </table>	Date	Name	DRAWN	SHITAL	CHECKED		APPROVED		PROJECT DESCRIPTION	TITLE	PROJECT CODE :-	<b>HA-382</b>
Date	Name											
DRAWN	SHITAL											
CHECKED												
APPROVED												
	HA-382 VOLVO FRANCE	IO LIST	DRAWING NUMBER :-									
			Page	2								
			Pages	170								

I/O LIST FOR HA-382 VALVO FRANCE								
CPU-S7 317 PN/DP+32 DI+16 DI X 2+32 DO+8DO								
S.N.	I/P	Description	Device	Tags	O/P	Description	Device	Tags
49	1:6/0	SPARE						
50	1:6/1	SPARE						
51	1:6/2	SPARE						
52	1:6/3	SPARE						
53	1:6/4	SPARE						
54	1:6/5	SPARE						
55	1:6/6	SPARE						
56	1:6/7	SPARE						
57	1:7/0	SPARE						
58	1:7/1	SPARE						
59	1:7/2	SPARE						
60	1:7/3	SPARE						
61	1:7/4	SPARE						
62	1:7/5	SPARE						
63	1:7/6	SPARE						
64	1:7/7	SPARE						

DOCUMENT ID : CY/DD/R/07  
 REV : 00

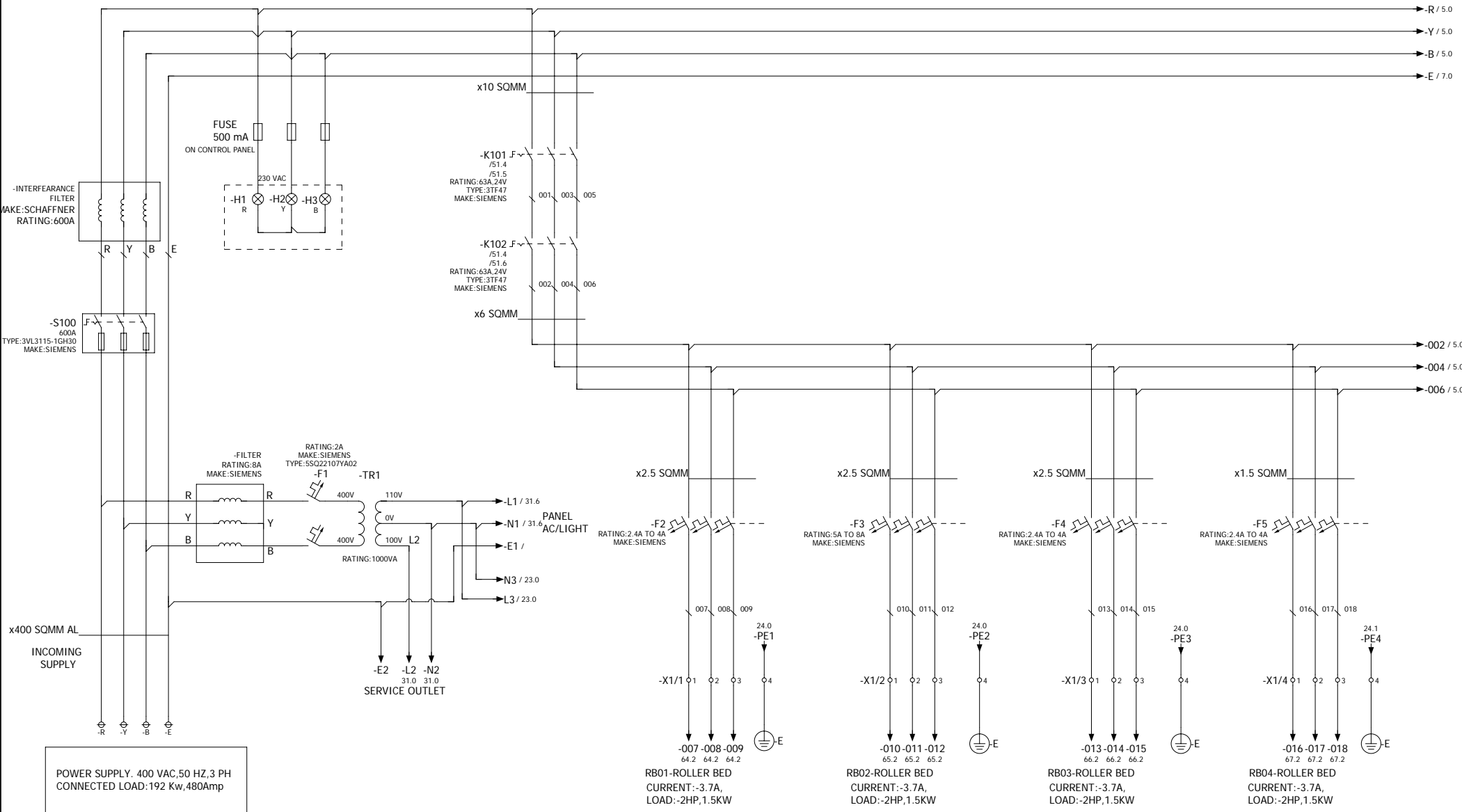
 CYBERNETIK TECHNOLOGIES  
 PVT.LTD, PUNE

	Date	Name
DRAWN		SHITAL
CHECKED		
APPROVED		

PROJECT DESCRIPTION  
 HA-382 VOLVO FRANCE

TITLE  
 IO LIST-2

PROJECT CODE:- **HA-382**  
 DRAWING NUMBER :-

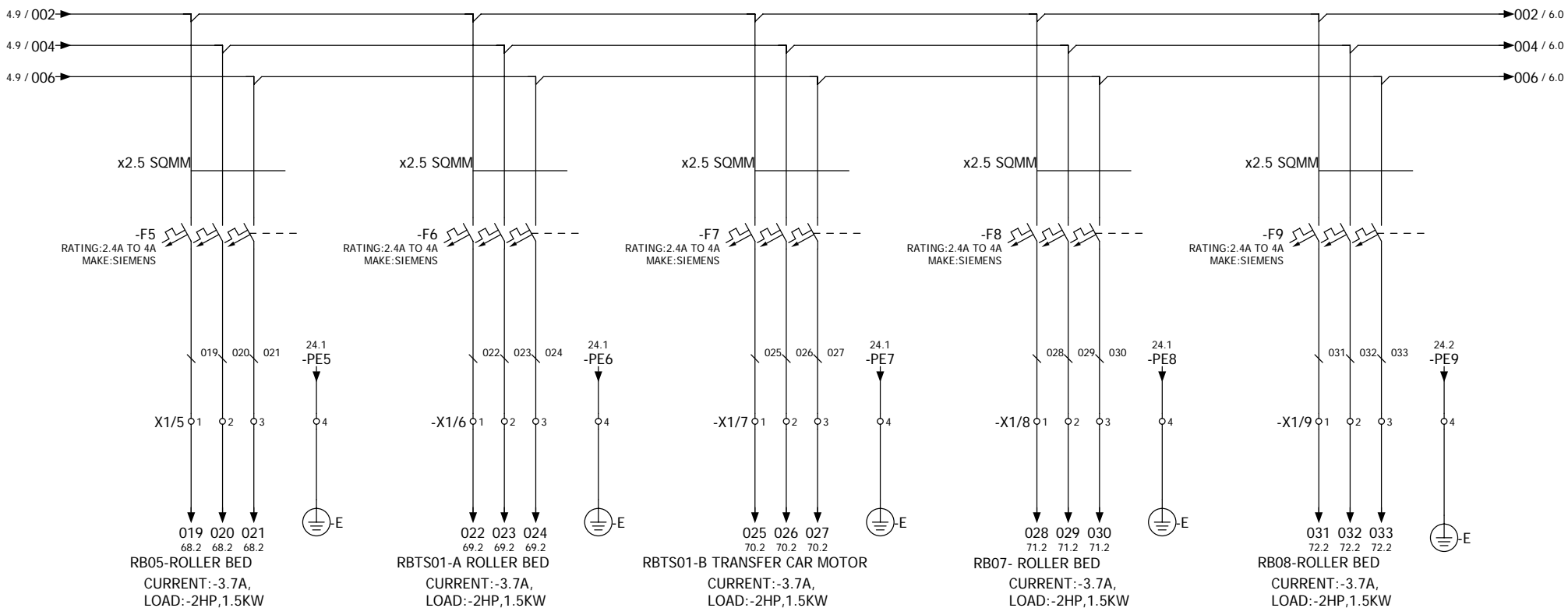
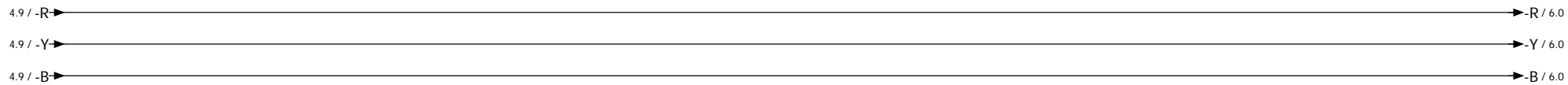


POWER SUPPLY. 400 VAC, 50 HZ, 3 PH  
CONNECTED LOAD:-192 Kw, 480Amp

NOTE: DESIGN LOAD:-230Kw, 575Amp

DOCUMENT ID : CY/DD/R/07  
REV : 00

	DRAWN CHECKED APPROVED	Date Name SHITAL	PROJECT DESCRIPTION HA-382 VOLVO FRANCE	TITLE POWER DWG-1	PROJECT CODE :- HA-382	DRAWING NUMBER :-	Page Pages
							4
							170



DOCUMENT ID : CY/DD/R/07  
 REV : 00

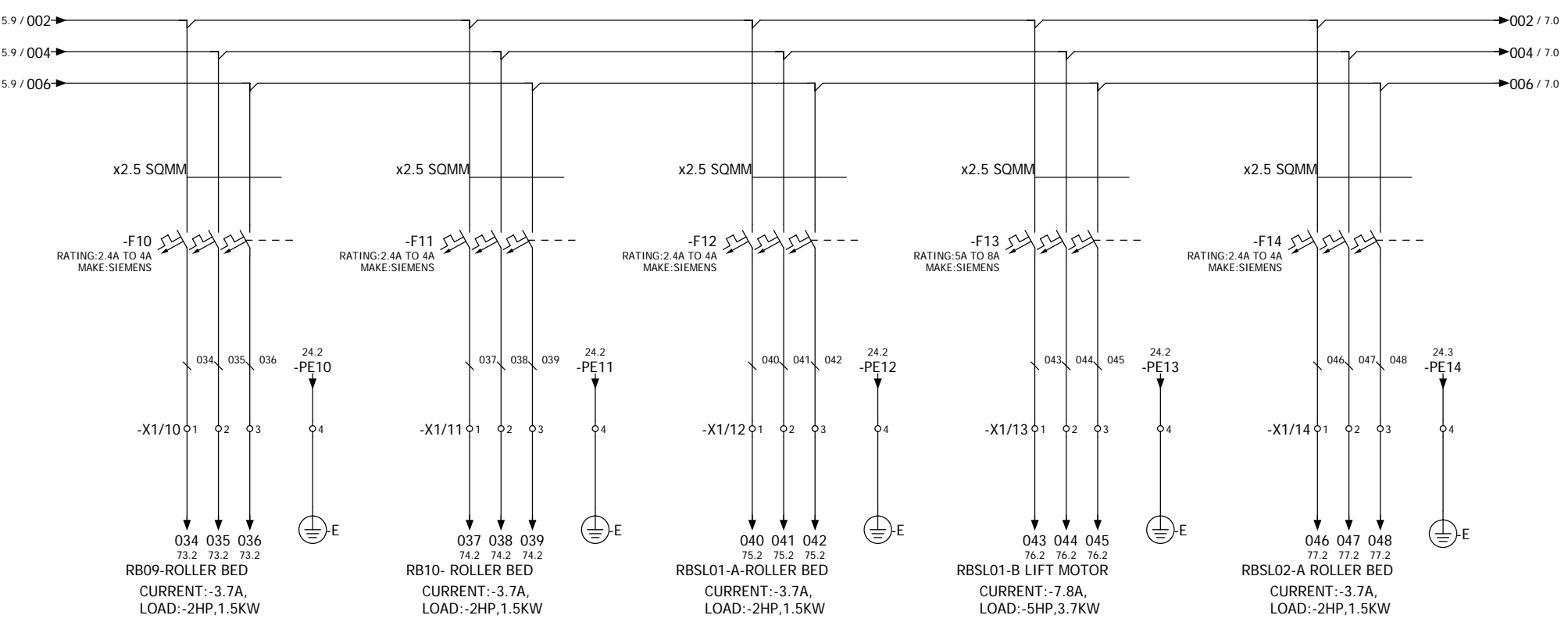
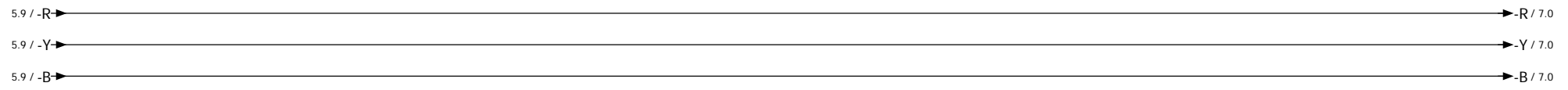
**CYBERNETIK TECHNOLOGIES PVT.LTD, PUNE**

DRAWN	Date	Name
CHECKED		SHITAL
APPROVED		

PROJECT DESCRIPTION  
 HA-382 VOLVO FRANCE

TITLE  
 POWER DWG-2

PROJECT CODE :-	<b>HA-382</b>
DRAWING NUMBER :-	
Page	5
Pages	170



DOCUMENT ID : CY/DD/R/07  
 REV : 00



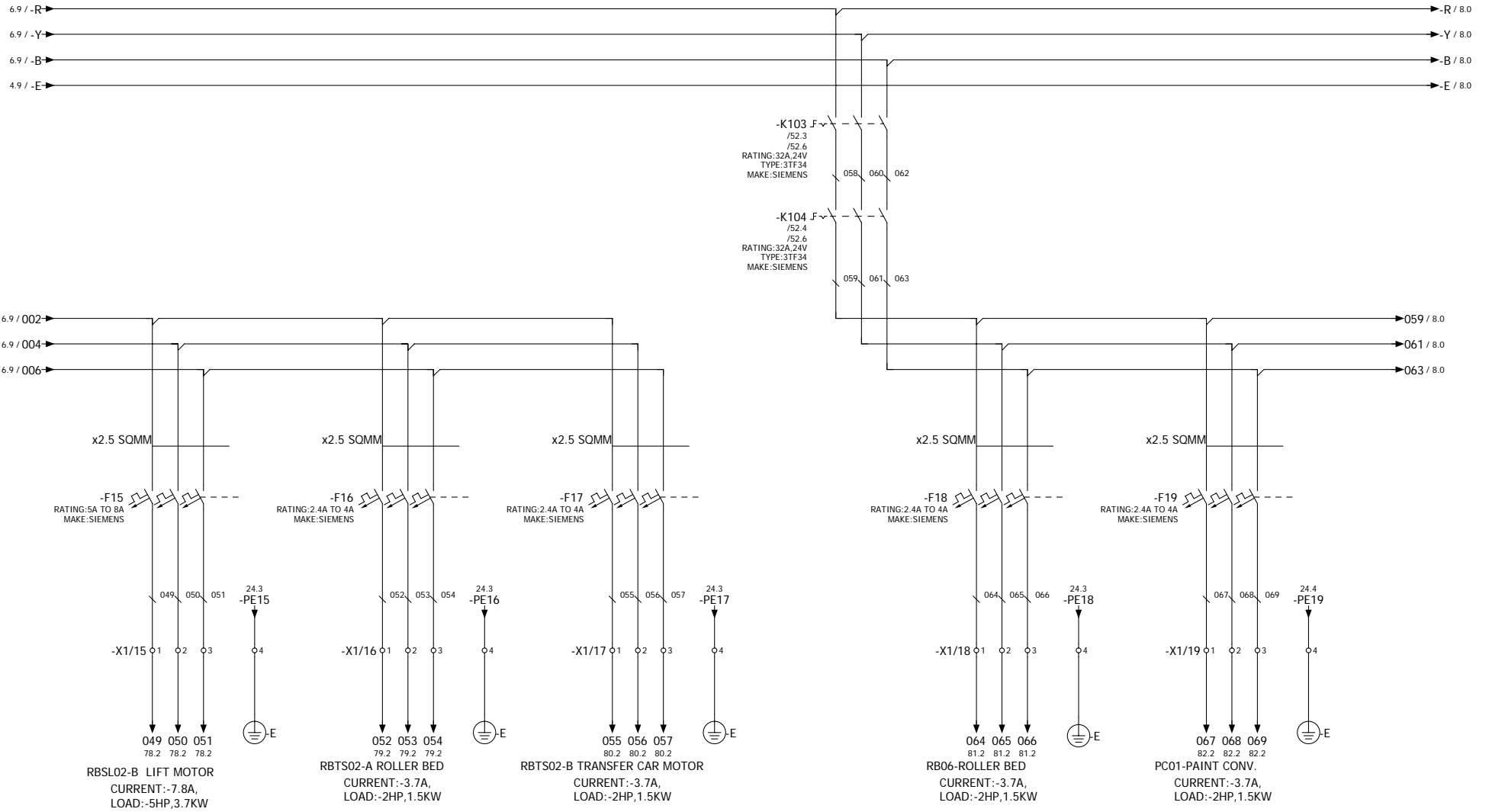
CYBERNETIK TECHNOLOGIES  
 PVT.LTD, PUNE

Drawn	Date	Name
Checked		SHITAL
Approved		

PROJECT DESCRIPTION  
 HA-382 VOLVO FRANCE

TITLE  
 POWER DWG-3

PROJECT CODE :- **HA-382**



DOCUMENT ID : CY/DD/R/07  
 REV : 00

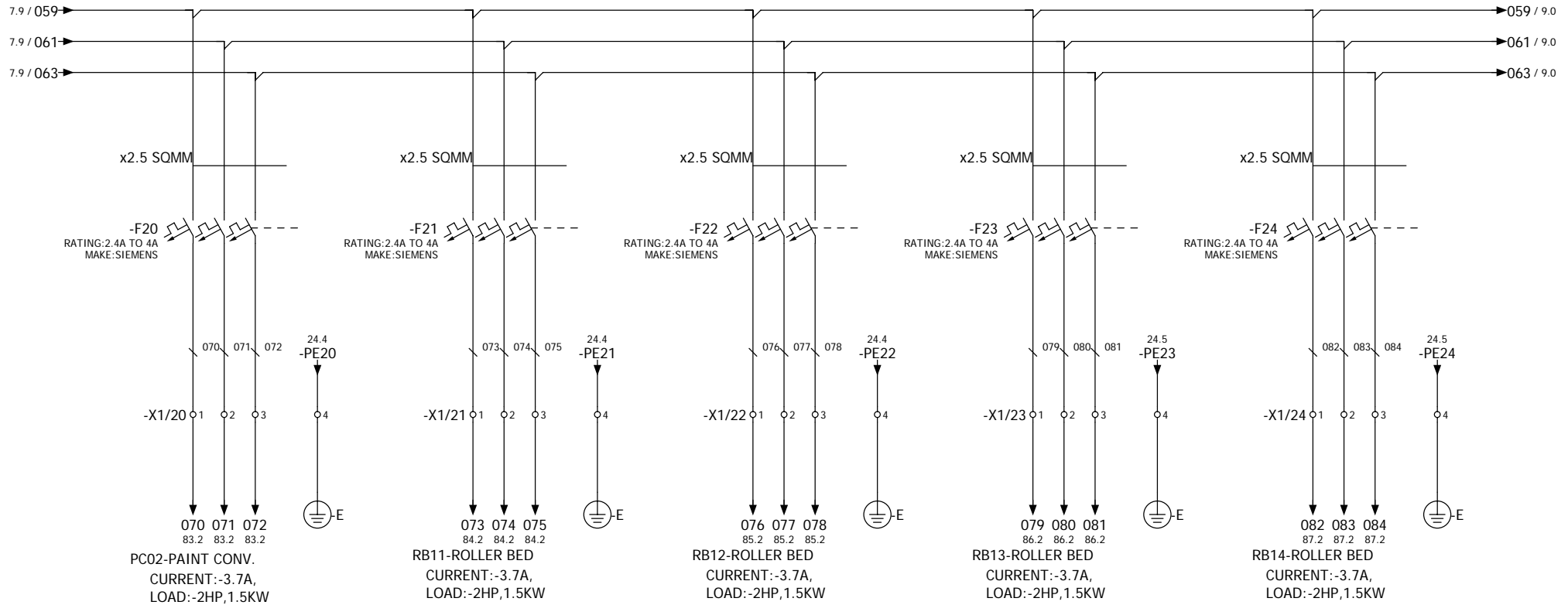
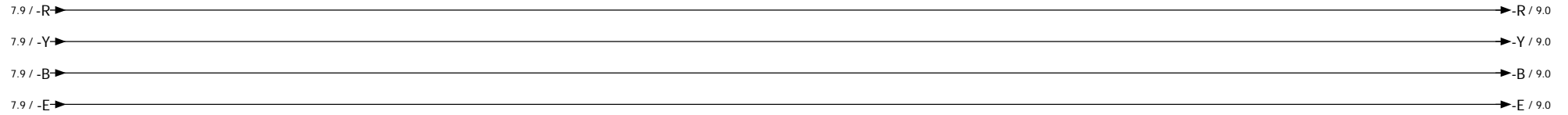
CYBERNETIK TECHNOLOGIES  
 PVT.LTD, PUNE

Drawn	Date	Name
Checked		SHITAL
Approved		

PROJECT DESCRIPTION  
 HA-382 VOLVO FRANCE

TITLE  
 POWER DWG-4

PROJECT CODE :-	HA-382
DRAWING NUMBER :-	
Page	7
Pages	170



DOCUMENT ID : CY/DD/R/07  
 REV : 00

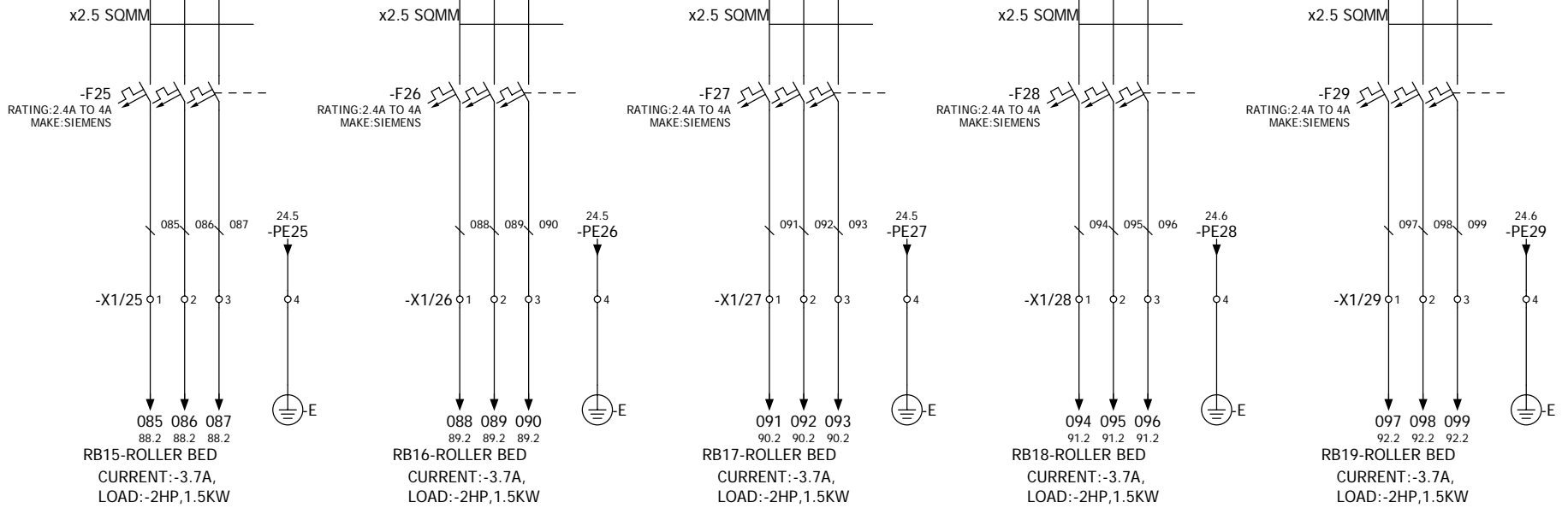
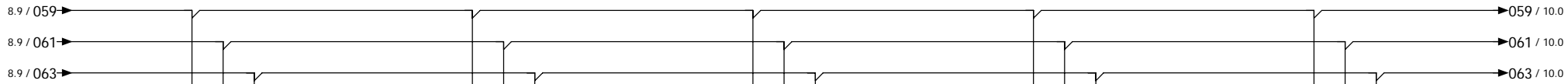
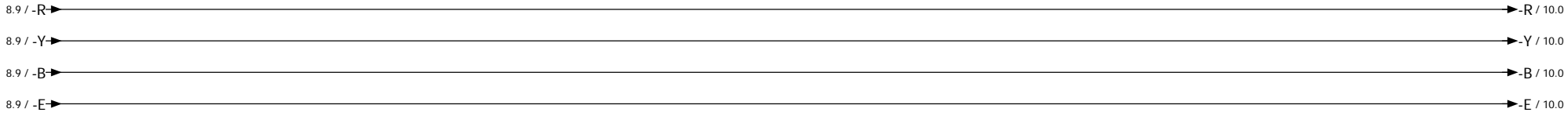
CYBERNETIK TECHNOLOGIES  
 PVT.LTD, PUNE

Drawn	Date	Name
Checked		SHITAL
Approved		

PROJECT DESCRIPTION  
 HA-382 VOLVO FRANCE

TITLE  
 POWER DWG-5

PROJECT CODE :-	HA-382
DRAWING NUMBER :-	
Page	8
Pages	170



DOCUMENT ID : CY/DD/R/07  
 REV : 00

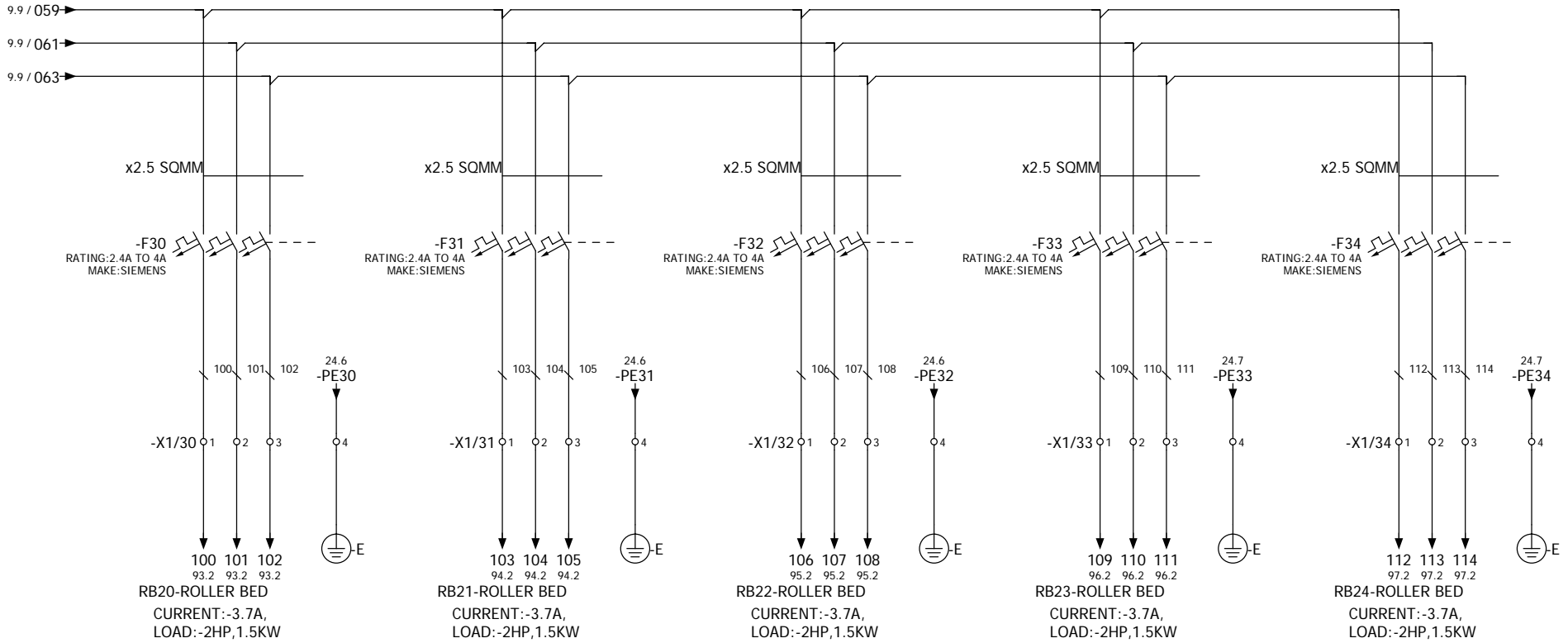
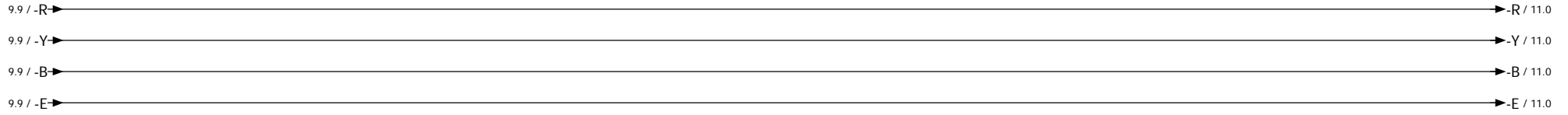
**CYBERNETIK TECHNOLOGIES**  
 PVT.LTD, PUNE

Drawn	Date	Name
Checked		SHITAL
Approved		

**PROJECT DESCRIPTION**  
 HA-382 VOLVO FRANCE

**TITLE**  
 POWER DWG-6

<b>PROJECT CODE:-</b>	<b>HA-382</b>
<b>DRAWING NUMBER :-</b>	
Page	9
Pages	170



DOCUMENT ID : CY/DD/R/07  
REV : 00



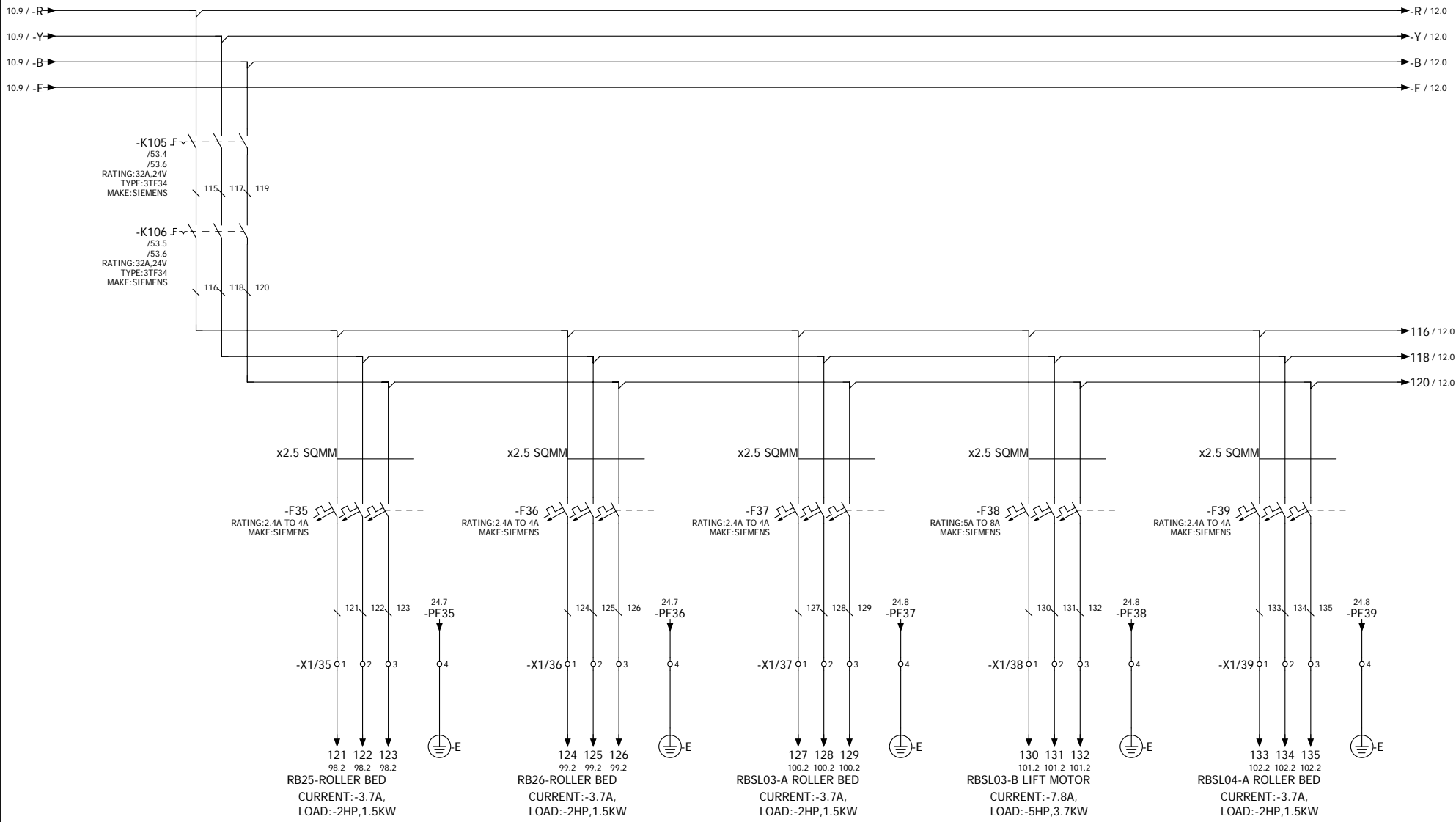
CYBERNETIK TECHNOLOGIES  
PVT.LTD, PUNE

Drawn	Date	Name
Checked		SHITAL
Approved		

PROJECT DESCRIPTION  
HA-382 VOLVO FRANCE

TITLE  
POWER DWG-7

PROJECT CODE :-	HA-382
DRAWING NUMBER :-	
Page	10
Pages	170



DOCUMENT ID : CY/DD/R/07  
REV : 00

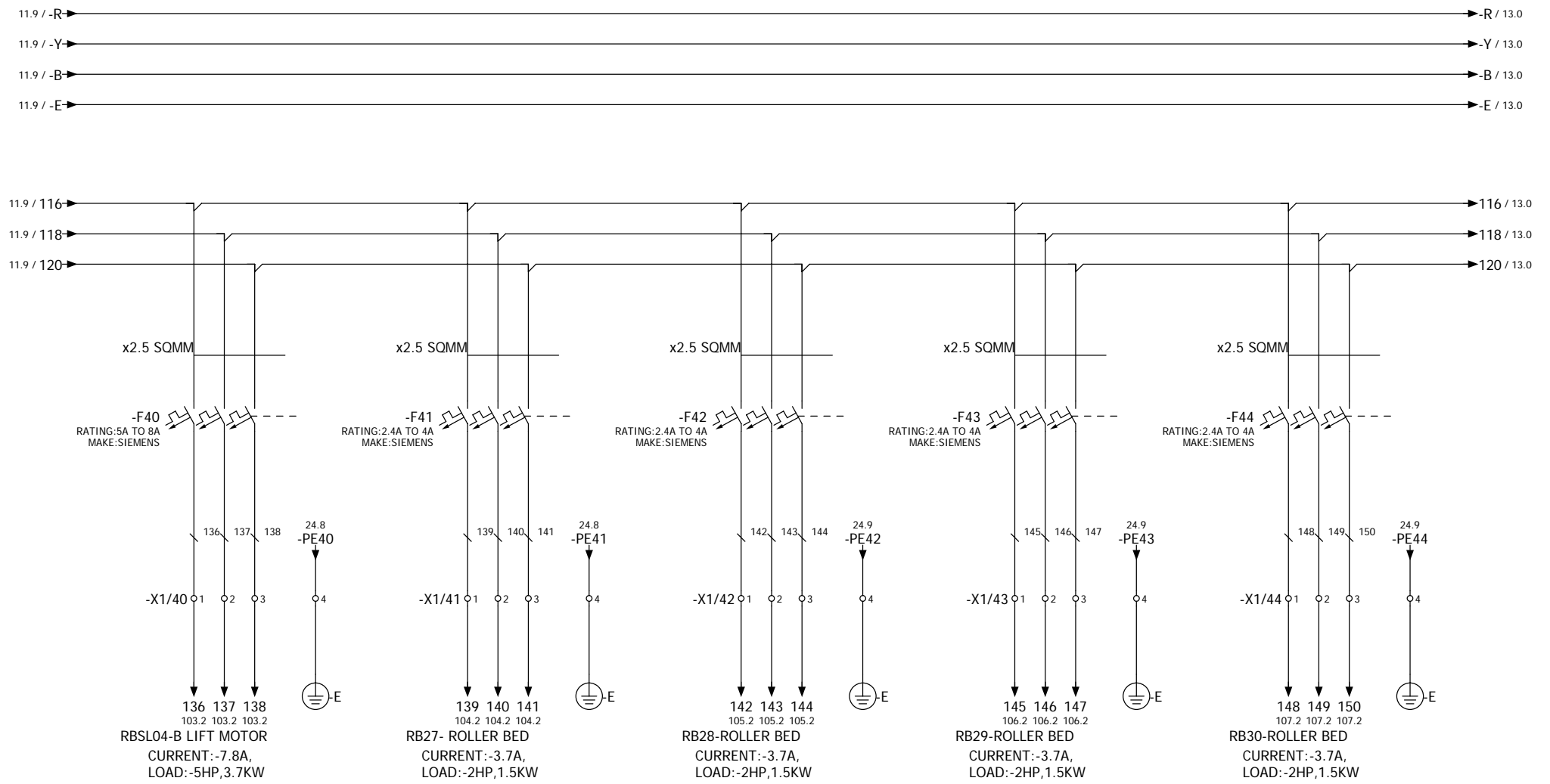
CYBERNETIK TECHNOLOGIES  
PVT.LTD, PUNE

Drawn	Date	Name
Checked		SHITAL
Approved		

PROJECT DESCRIPTION  
HA-382 VOLVO FRANCE

TITLE  
POWER DWG-8

PROJECT CODE :-	<b>HA-382</b>
DRAWING NUMBER :-	
Page	11
Pages	170



DOCUMENT ID : CY/DD/R/07  
REV : 00



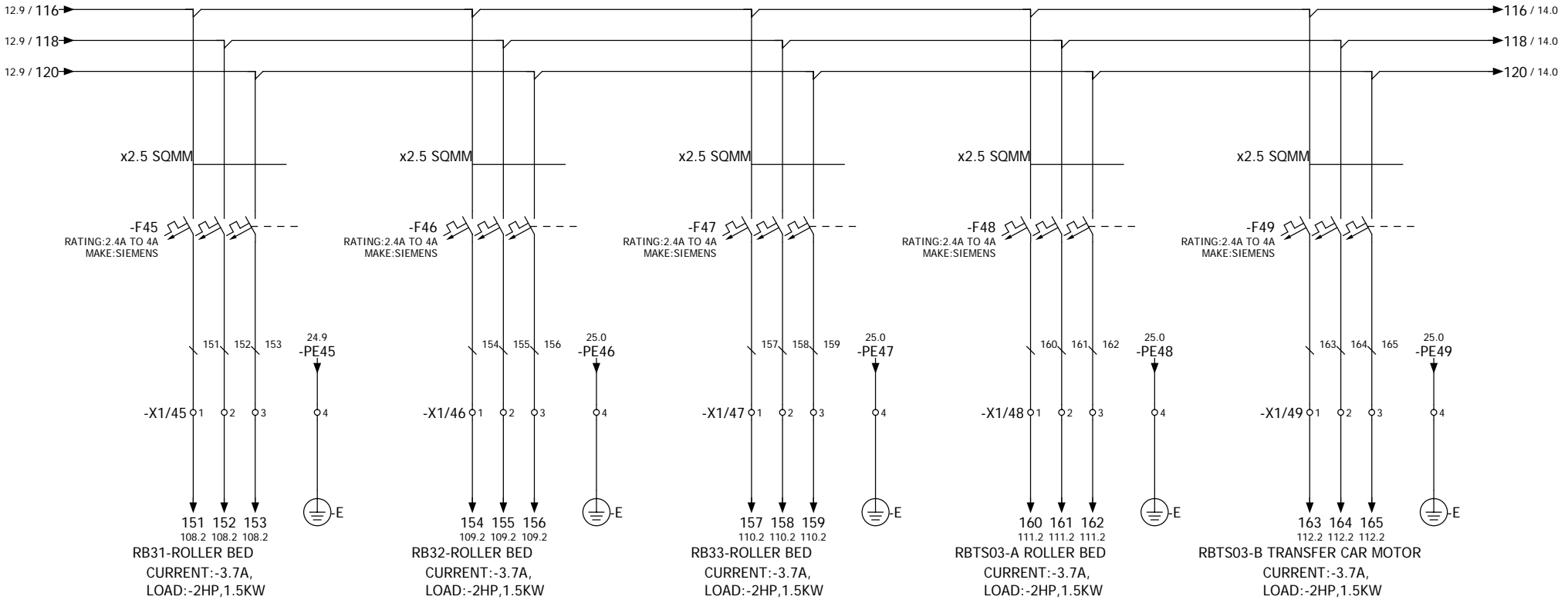
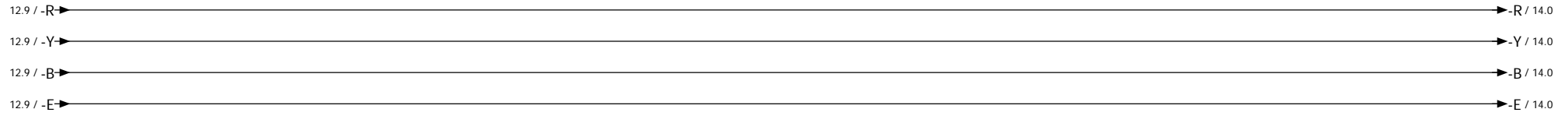
CYBERNETIK TECHNOLOGIES  
PVT.LTD, PUNE

Drawn	Date	Name
Checked		SHITAL
Approved		

PROJECT DESCRIPTION  
HA-382 VOLVO FRANCE

TITLE  
POWER DWG-9

PROJECT CODE :-	<b>HA-382</b>
DRAWING NUMBER :-	
Page	12
Pages	170



DOCUMENT ID : CY/DD/R/07  
 REV : 00

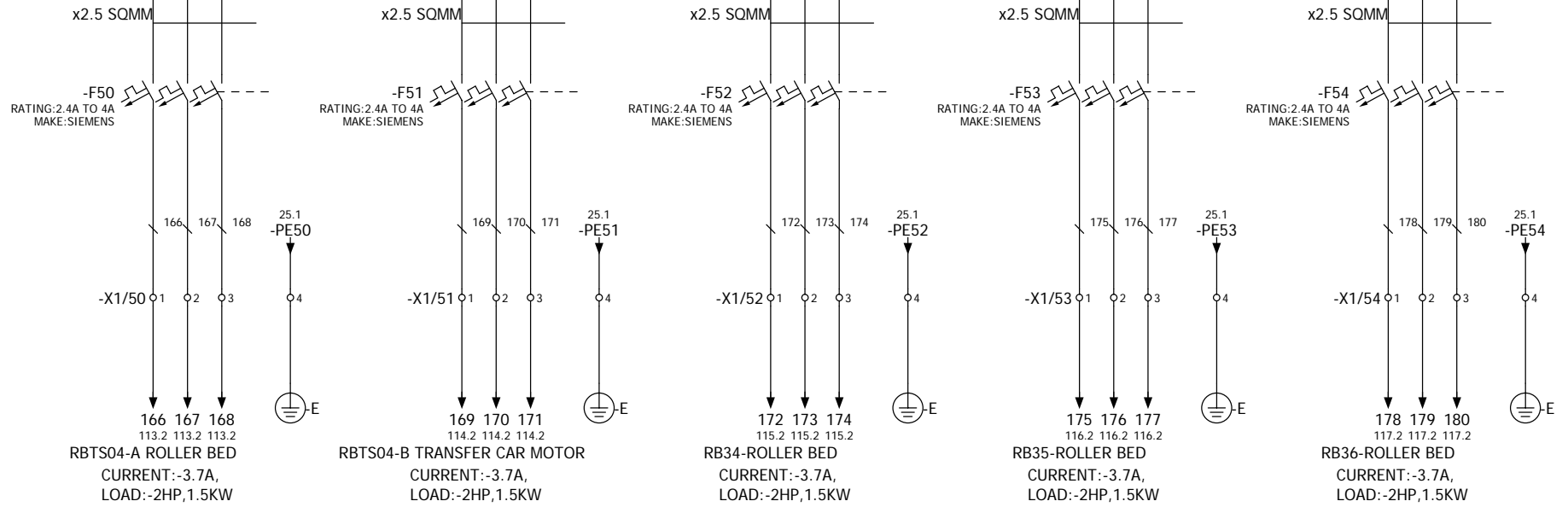
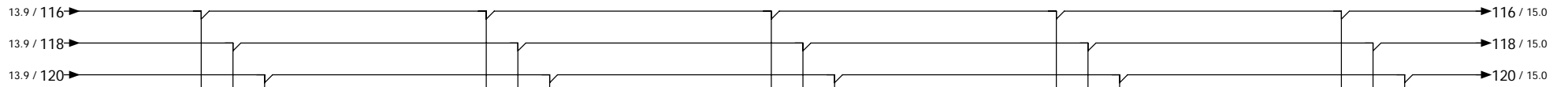
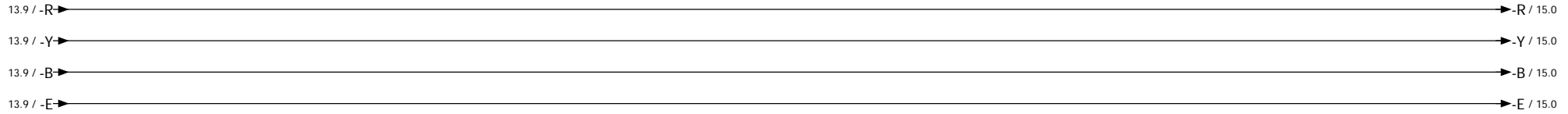
**CYBERNETIK TECHNOLOGIES PVT.LTD, PUNE**

Drawn	Date	Name
Checked		SHITAL
Approved		

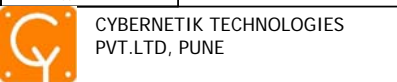
**PROJECT DESCRIPTION**  
 HA-382 VOLVO FRANCE

**TITLE**  
 POWER DWG-10

<b>PROJECT CODE :-</b>	<b>HA-382</b>
<b>DRAWING NUMBER :-</b>	
Page	13
Pages	170



DOCUMENT ID : CY/DD/R/07  
REV : 00

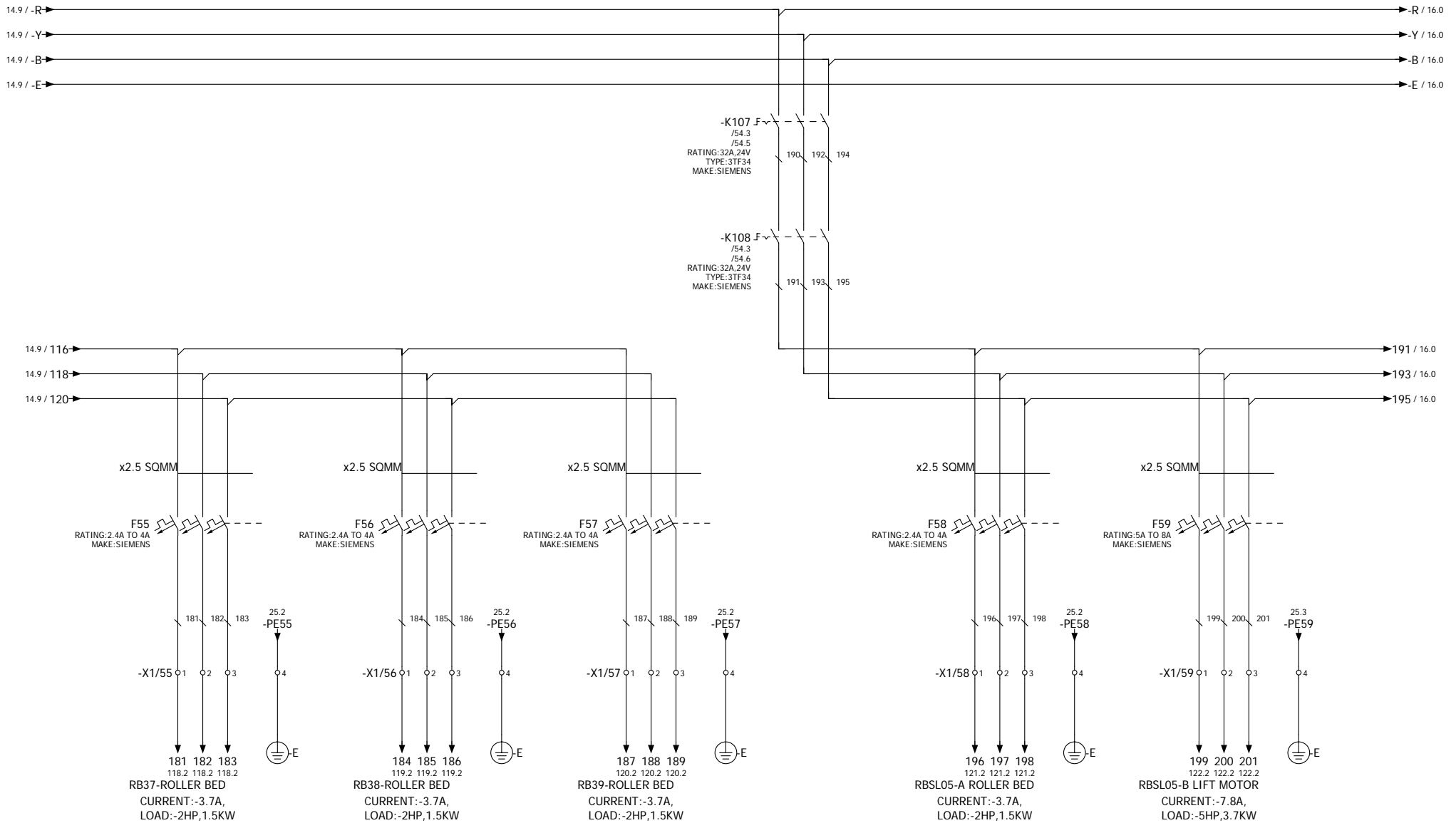


Drawn	Date	Name
Checked		SHITAL
Approved		

PROJECT DESCRIPTION  
HA-382 VOLVO FRANCE

TITLE  
POWER DWG-11

PROJECT CODE :-	<b>HA-382</b>
DRAWING NUMBER :-	
Page	14
Pages	170



DOCUMENT ID : CY/DD/R/07  
REV : 00

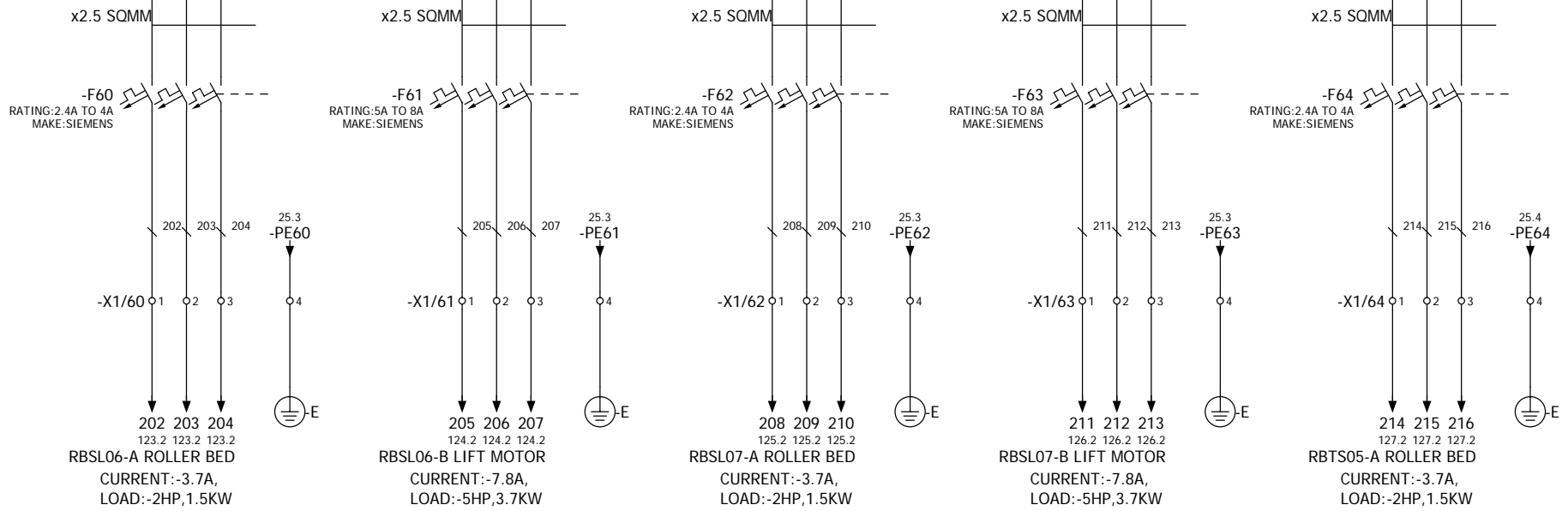
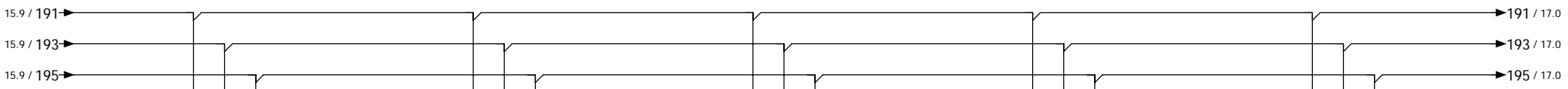
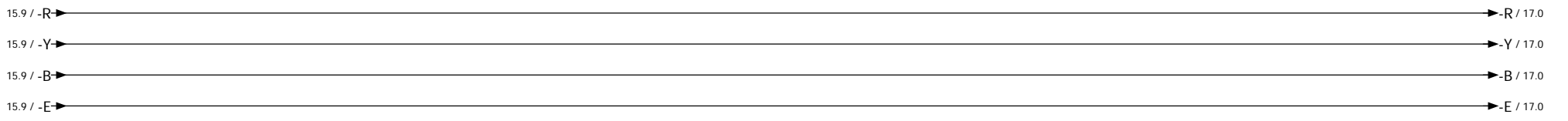
CYBERNETIK TECHNOLOGIES  
PVT.LTD, PUNE

DATE	NAME
	SHITAL
CHECKED	
APPROVED	

PROJECT DESCRIPTION  
HA-382 VOLVO FRANCE

TITLE  
POWER DWG-12

PROJECT CODE :- **HA-382**  
DRAWING NUMBER :-



DOCUMENT ID : CY/DD/R/07  
REV : 00

**CYBERNETIK TECHNOLOGIES**  
PVT.LTD, PUNE

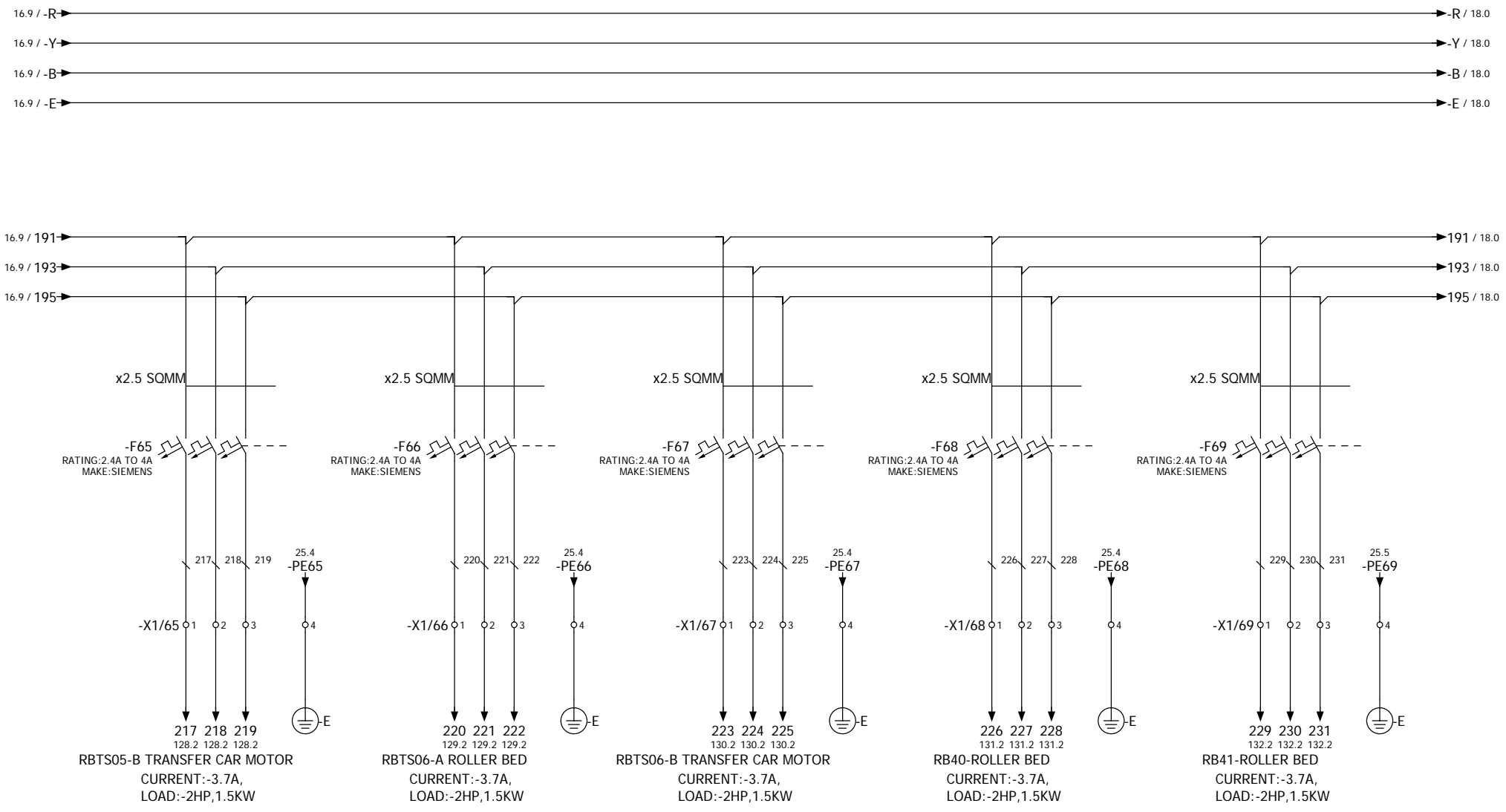
DATE	NAME
	SHITAL
CHECKED	
APPROVED	

PROJECT DESCRIPTION  
HA-382 VOLVO FRANCE

TITLE  
POWER DWG-13

PROJECT CODE :- **HA-382**

DRAWING NUMBER :-



DOCUMENT ID : CY/DD/R/07  
 REV : 00

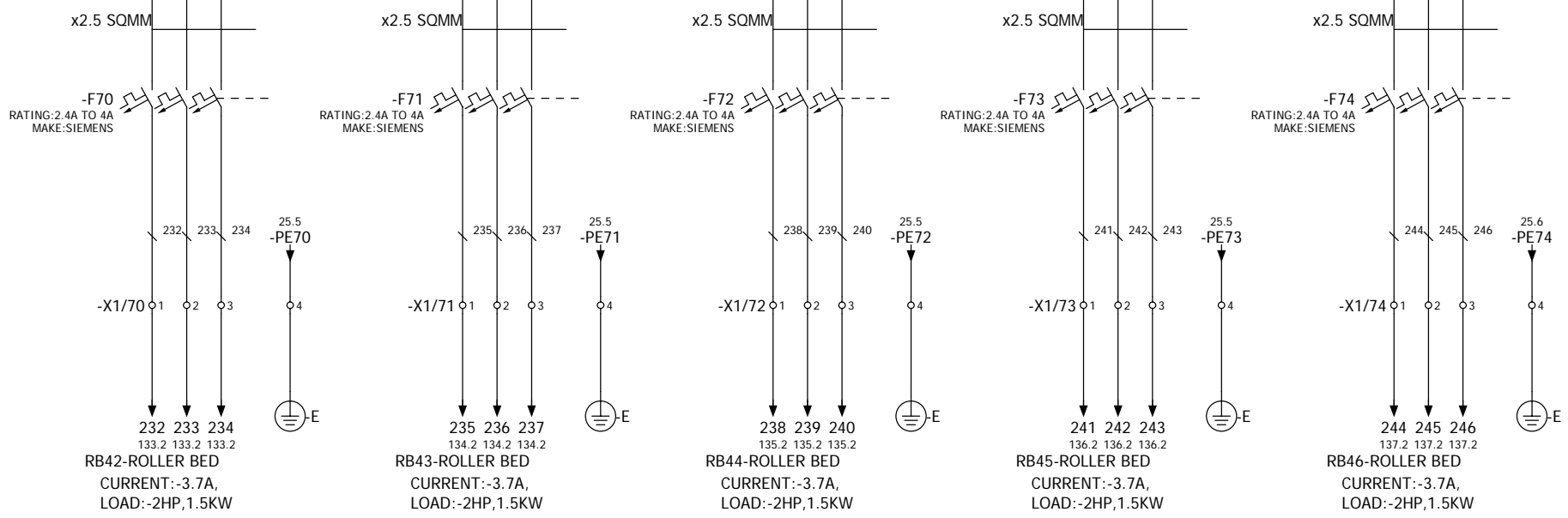
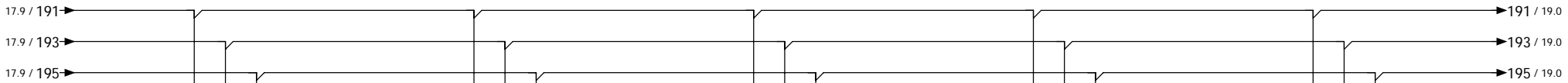
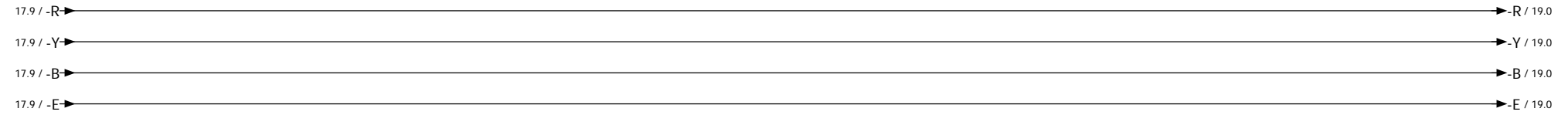
CYBERNETIK TECHNOLOGIES  
 PVT.LTD, PUNE

DATE	NAME
CHECKED	SHITAL
APPROVED	

PROJECT DESCRIPTION  
 HA-382 VOLVO FRANCE

TITLE  
 POWER DWG-14

PROJECT CODE :-	HA-382
DRAWING NUMBER :-	
Page	17
Pages	170



DOCUMENT ID : CY/DD/R/07  
 REV : 00

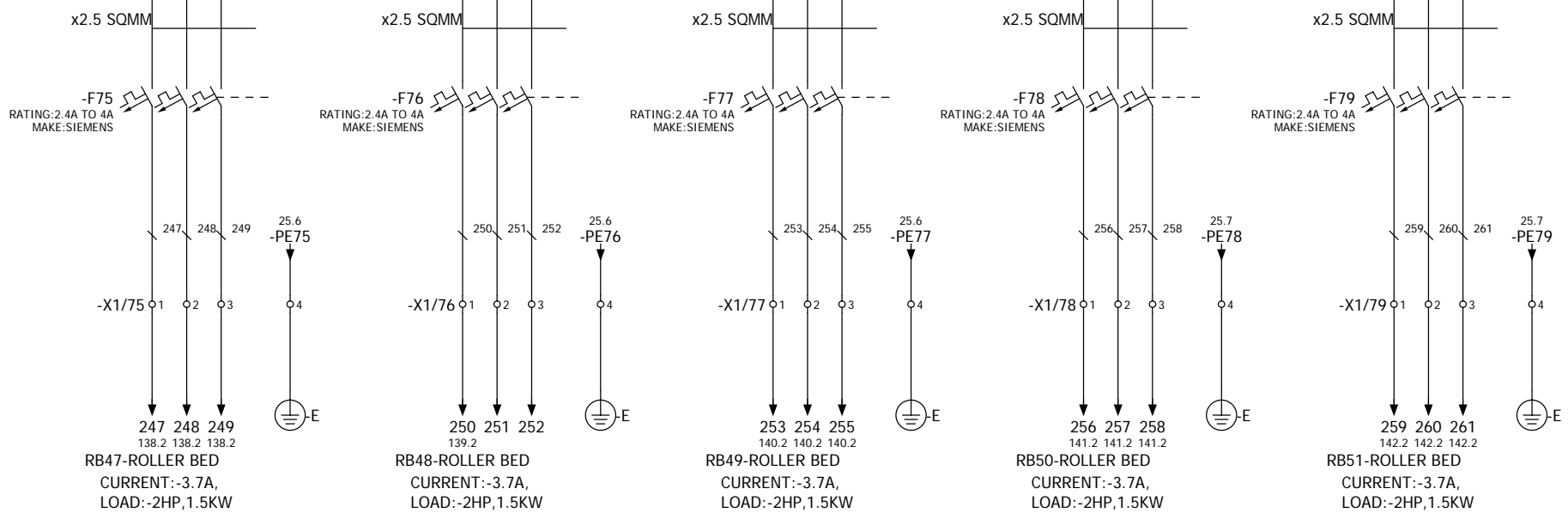
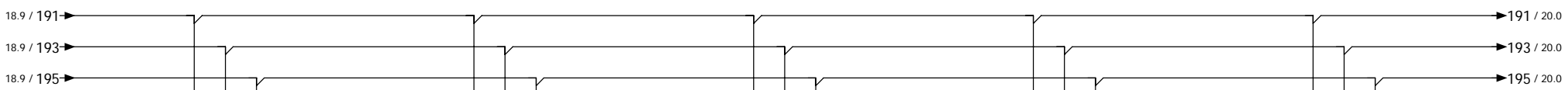
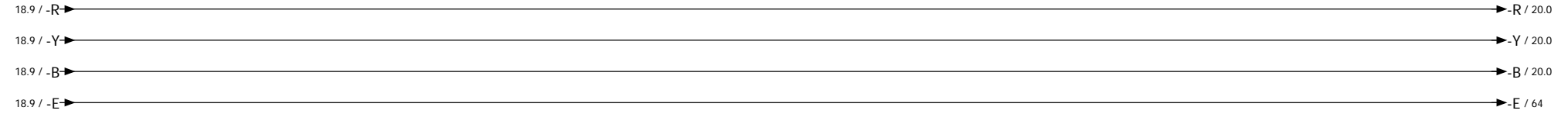
**CYBERNETIK TECHNOLOGIES PVT.LTD, PUNE**

Drawn	Date	Name
CHECKED		SHITAL
APPROVED		

PROJECT DESCRIPTION  
 HA-382 VOLVO FRANCE

TITLE  
 POWER DWG-15

PROJECT CODE :-	<b>HA-382</b>
DRAWING NUMBER :-	
Page	18
Pages	170



DOCUMENT ID : CY/DD/R/07  
 REV : 00



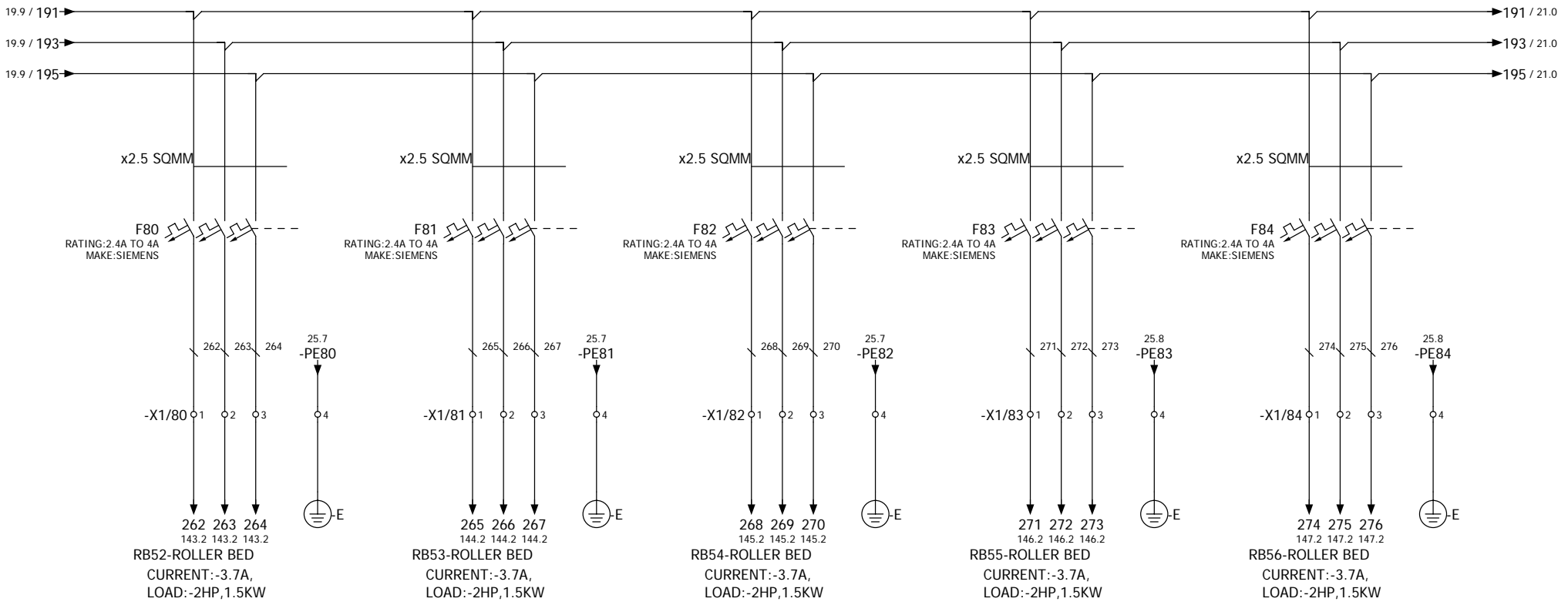
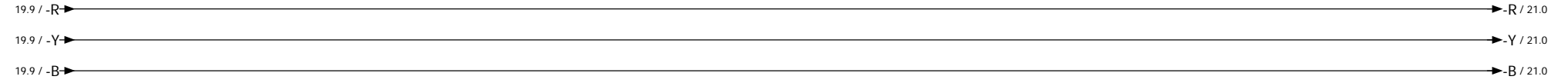
CYBERNETIK TECHNOLOGIES  
 PVT.LTD, PUNE

DRAWN	Date	Name
CHECKED		SHITAL
APPROVED		

PROJECT DESCRIPTION  
 HA-382 VOLVO FRANCE

TITLE  
 POWER DWG-16

PROJECT CODE :-	<b>HA-382</b>
DRAWING NUMBER :-	
Page	19
Pages	170



DOCUMENT ID : CY/DD/R/07  
 REV : 00

CYBERNETIK TECHNOLOGIES  
 PVT.LTD, PUNE

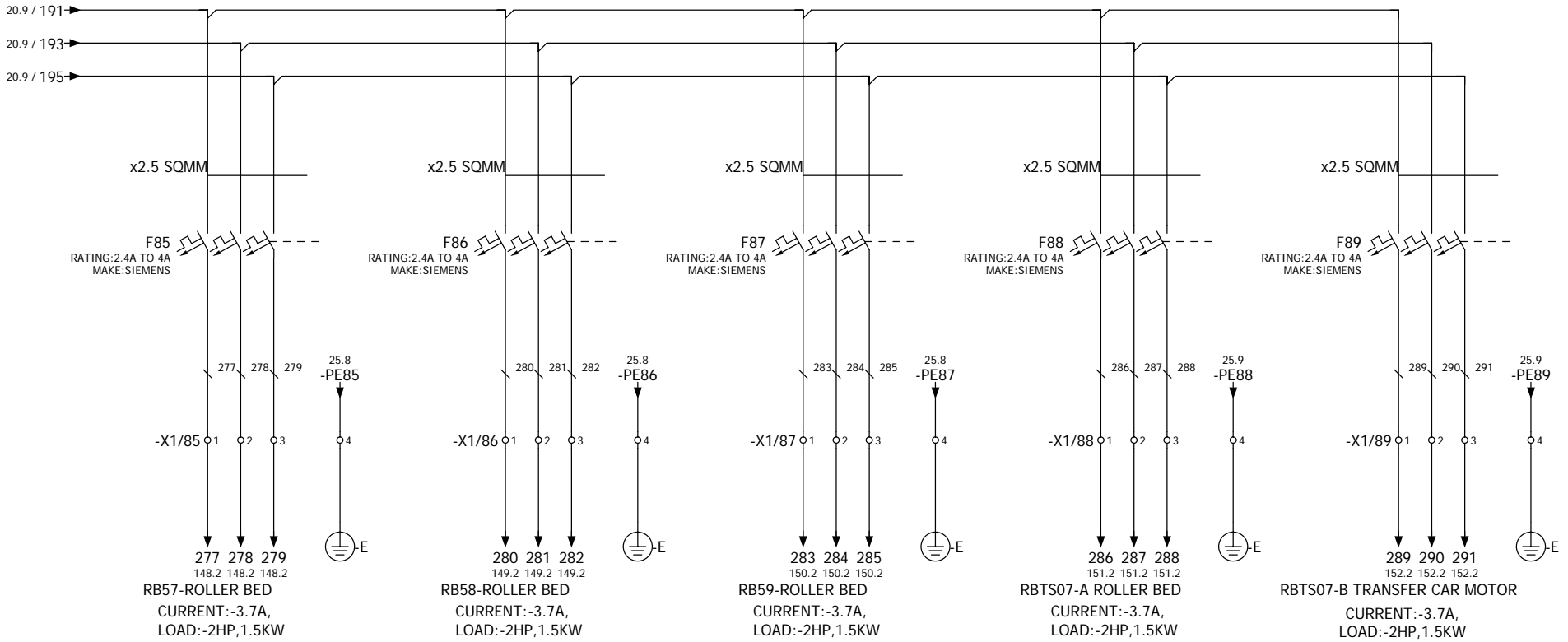
DRAWN	Date	Name
CHECKED		SHITAL
APPROVED		

PROJECT DESCRIPTION  
 HA-382 VOLVO FRANCE

TITLE  
 POWER DWG-17

PROJECT CODE :-	<b>HA-382</b>
DRAWING NUMBER :-	
Page	20
Pages	170

20.9 / -R → -R / 22.0  
 20.9 / -Y → -Y / 22.0  
 20.9 / -B → -B / 22.0



DOCUMENT ID : CY/DD/R/07  
 REV : 00

DATE	NAME
	SHITAL
CHECKED	
APPROVED	

PROJECT DESCRIPTION
HA-382 VOLVO FRANCE

TITLE
POWER DWG-18

PROJECT CODE :-	<b>HA-382</b>
DRAWING NUMBER :-	
Page	21
Pages	170

0

1

2

3

4

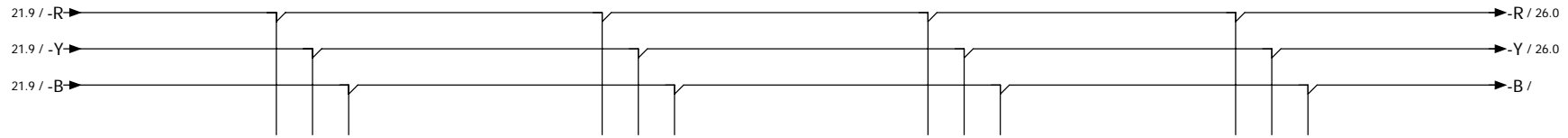
5

6

7

8

9



DOCUMENT ID : CY/DD/R/07  
 REV : 00



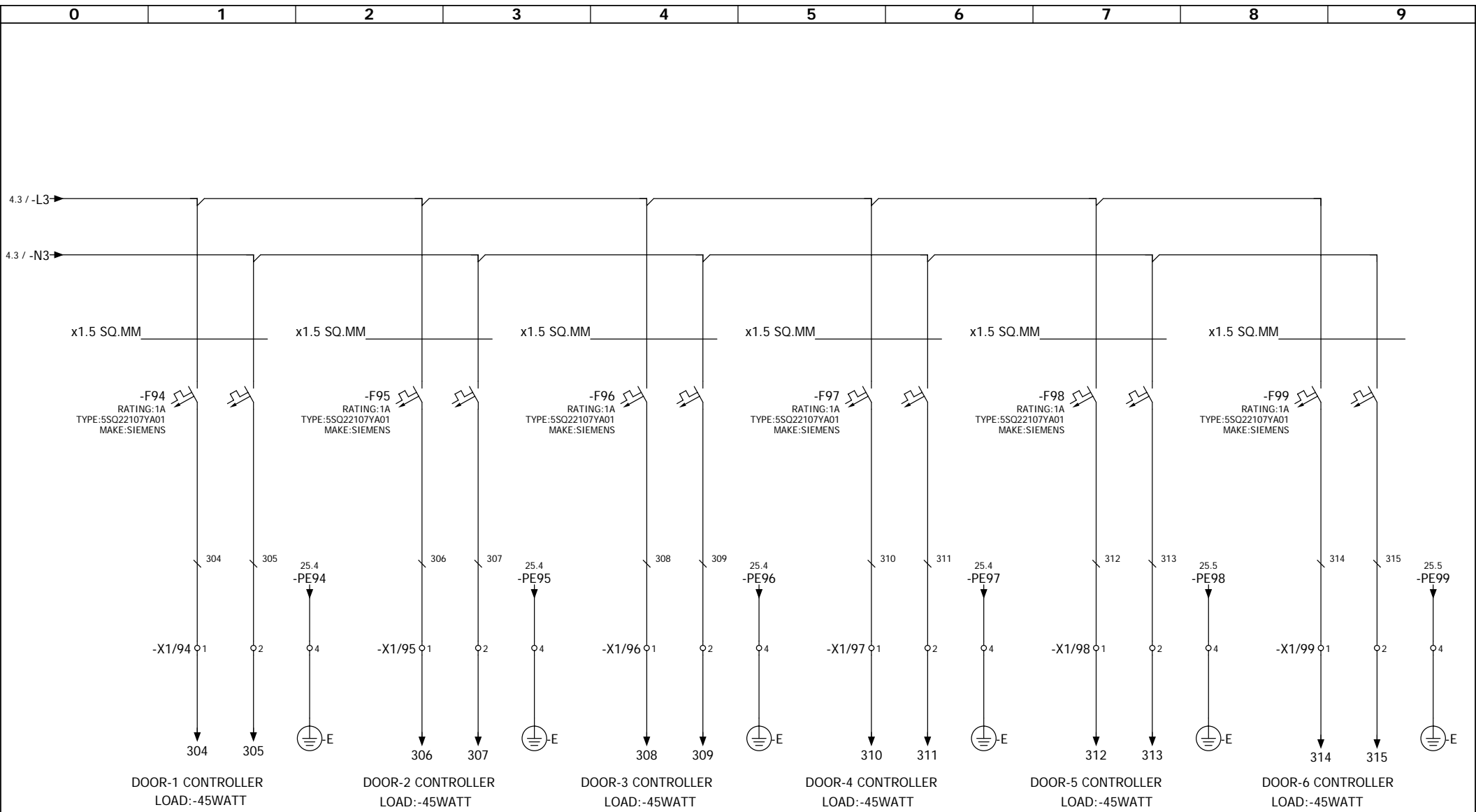
CYBERNETIK TECHNOLOGIES  
 PVT.LTD, PUNE

	Date	Name
DRAWN		SHITAL
CHECKED		
APPROVED		

PROJECT DESCRIPTION  
 HA-382 VOLVO FRANCE

TITLE  
 POWER DWG-19

PROJECT CODE:- **HA-382**  
 DRAWING NUMBER :-



DOCUMENT ID : CY/DD/R/07  
 REV : 00

**CYBERNETIK TECHNOLOGIES**  
 PVT.LTD, PUNE

Drawn	Date	Name
Checked		SHITAL
Approved		

**PROJECT DESCRIPTION**  
 HA-382 VOLVO FRANCE

**TITLE**  
 POWER DWG-20

<b>PROJECT CODE :-</b>	<b>HA-382</b>
<b>DRAWING NUMBER :-</b>	
Page	23
Pages	170

0

1

2

3

4

5

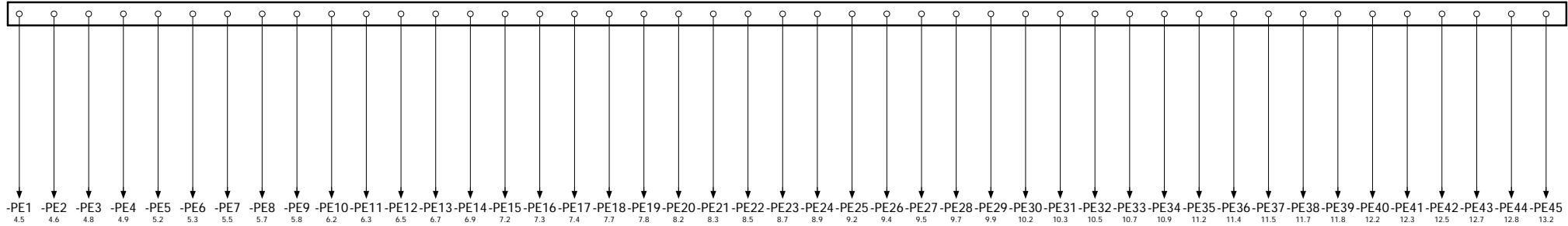
6

7

8

9

# EARTHING BUS BAR



DOCUMENT ID : CY/DD/R/07  
REV : 00



CYBERNETIK TECHNOLOGIES  
PVT.LTD, PUNE

	Date	Name
DRAWN		SHITAL
CHECKED		
APPROVED		

PROJECT DESCRIPTION
HA-382 VOLVO FRANCE

TITLE
EARTHING

PROJECT CODE:-	<b>HA-382</b>
DRAWING NUMBER :-	
Page	24
Pages	170

0

1

2

3

4

5

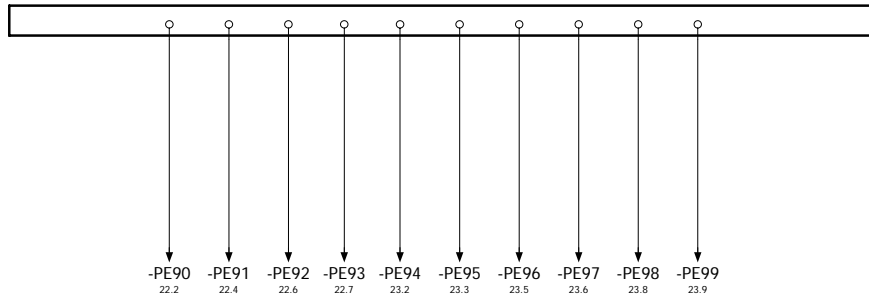
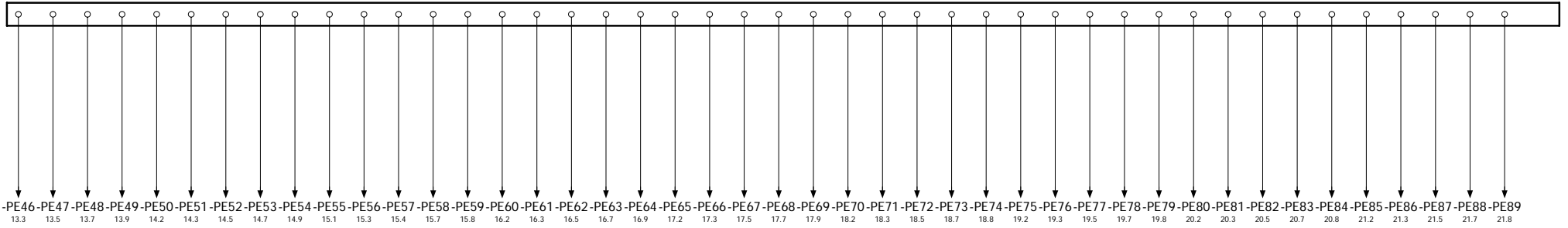
6

7

8

9

# EARTHING BUS BAR



DOCUMENT ID : CY/DD/R/07  
REV : 00



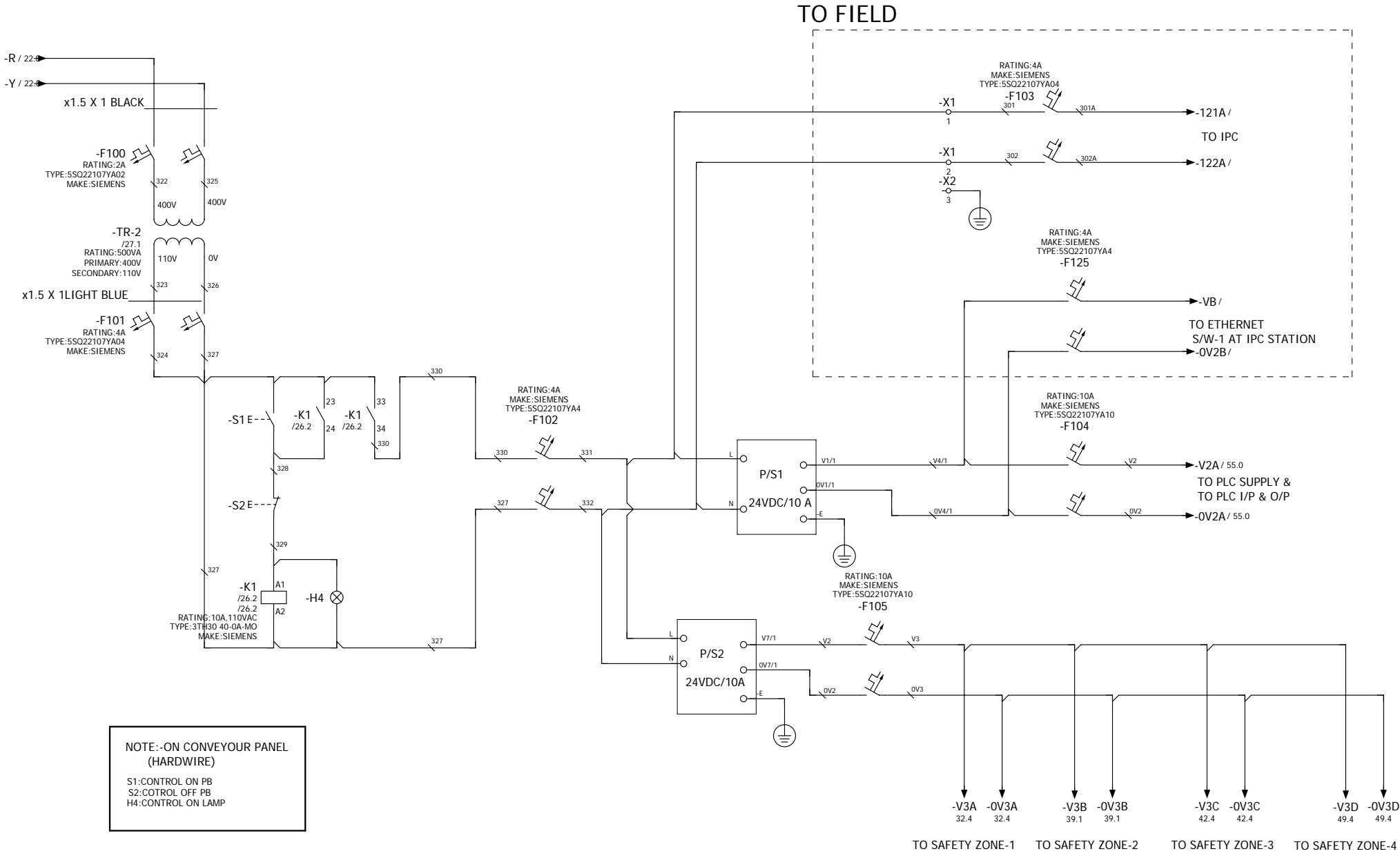
CYBERNETIK TECHNOLOGIES  
PVT.LTD, PUNE

	Date	Name
DRAWN		SHITAL
CHECKED		
APPROVED		

PROJECT DESCRIPTION
HA-382 VOLVO FRANCE

TITLE
EARTHING-2

PROJECT CODE:-	<b>HA-382</b>
DRAWING NUMBER :-	
Page	25
Pages	170

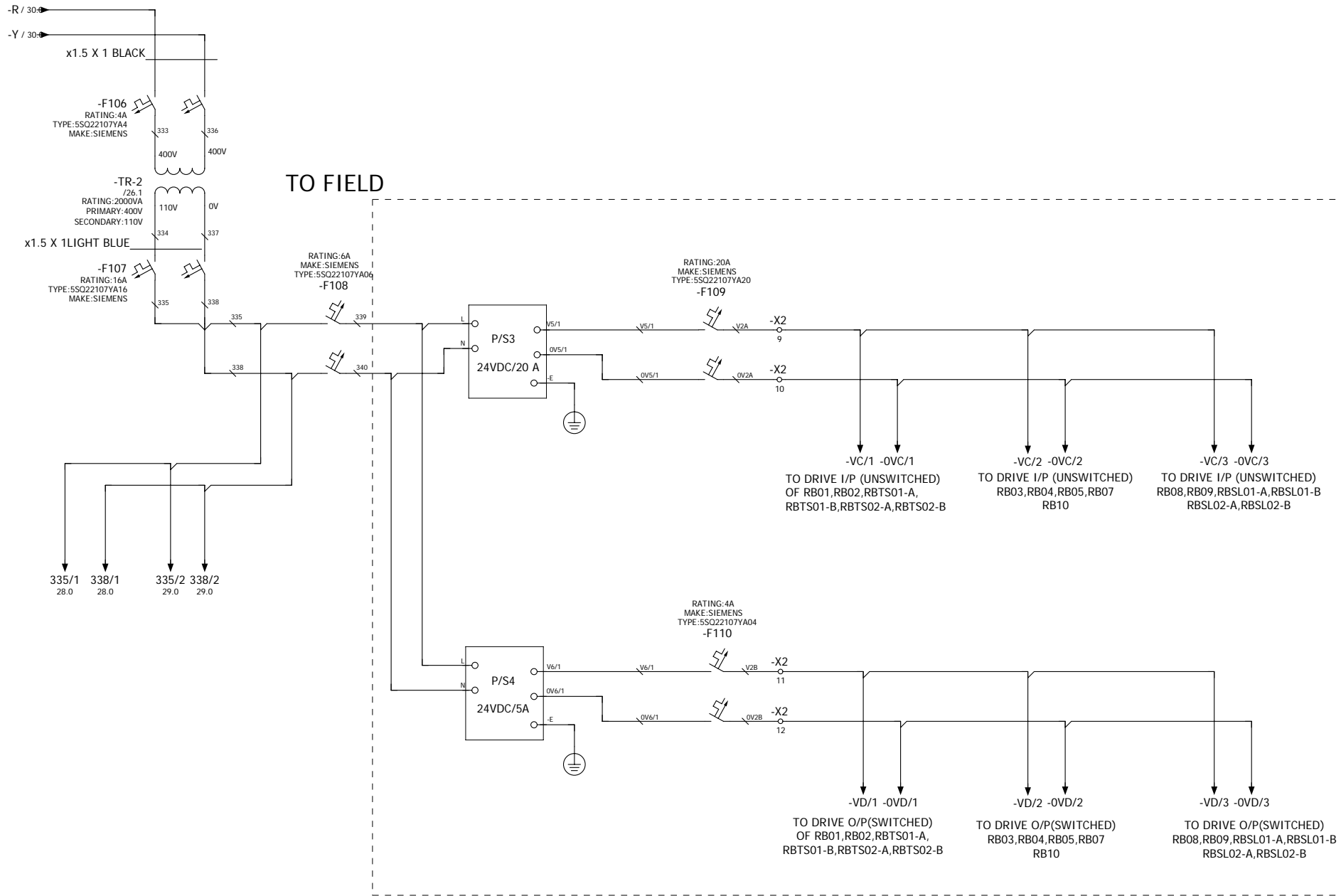


**NOTE:-ON CONVEYOR PANEL  
(HARDWIRE)**

S1:CONTROL ON PB  
S2:COTROL OFF PB  
H4:CONTROL ON LAMP

DOCUMENT ID : CY/DD/R/07  
REV : 00

DRAWN	Date	Name
CHECKED		SHITAL
APPROVED		



DOCUMENT ID : CY/DD/R/07  
REV : 00

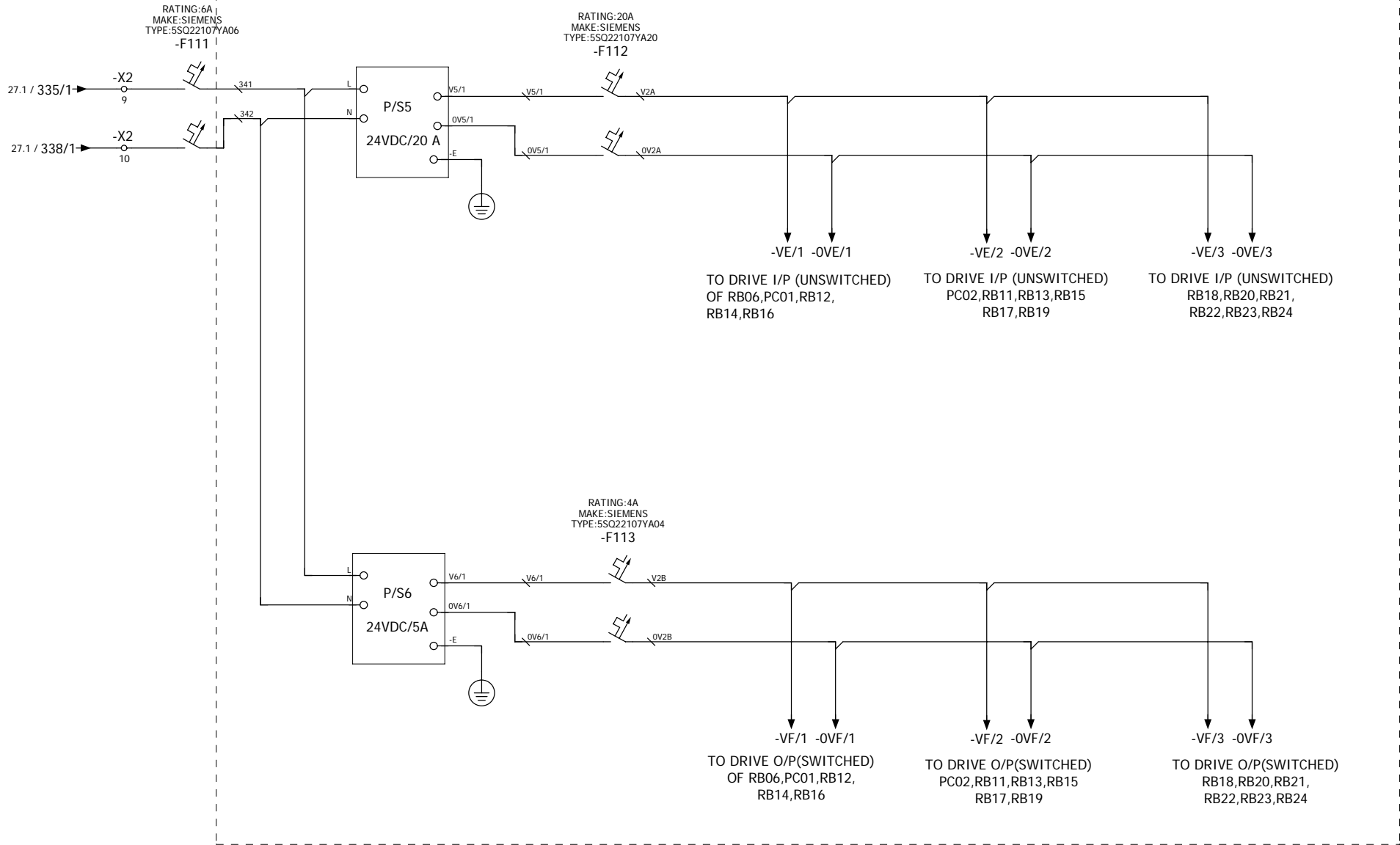
Drawn	Date	Name
Checked		SHITAL
Approved		

PROJECT DESCRIPTION	HA-382 VOLVO FRANCE
---------------------	---------------------

TITLE	CONTROL CKT-2
-------	---------------

PROJECT CODE :-	HA-382
DRAWING NUMBER :-	
Page	27
Pages	170

TO FIELD



DOCUMENT ID : CY/DD/R/07  
 REV : 00

CYBERNETIK TECHNOLOGIES  
 PVT.LTD, PUNE

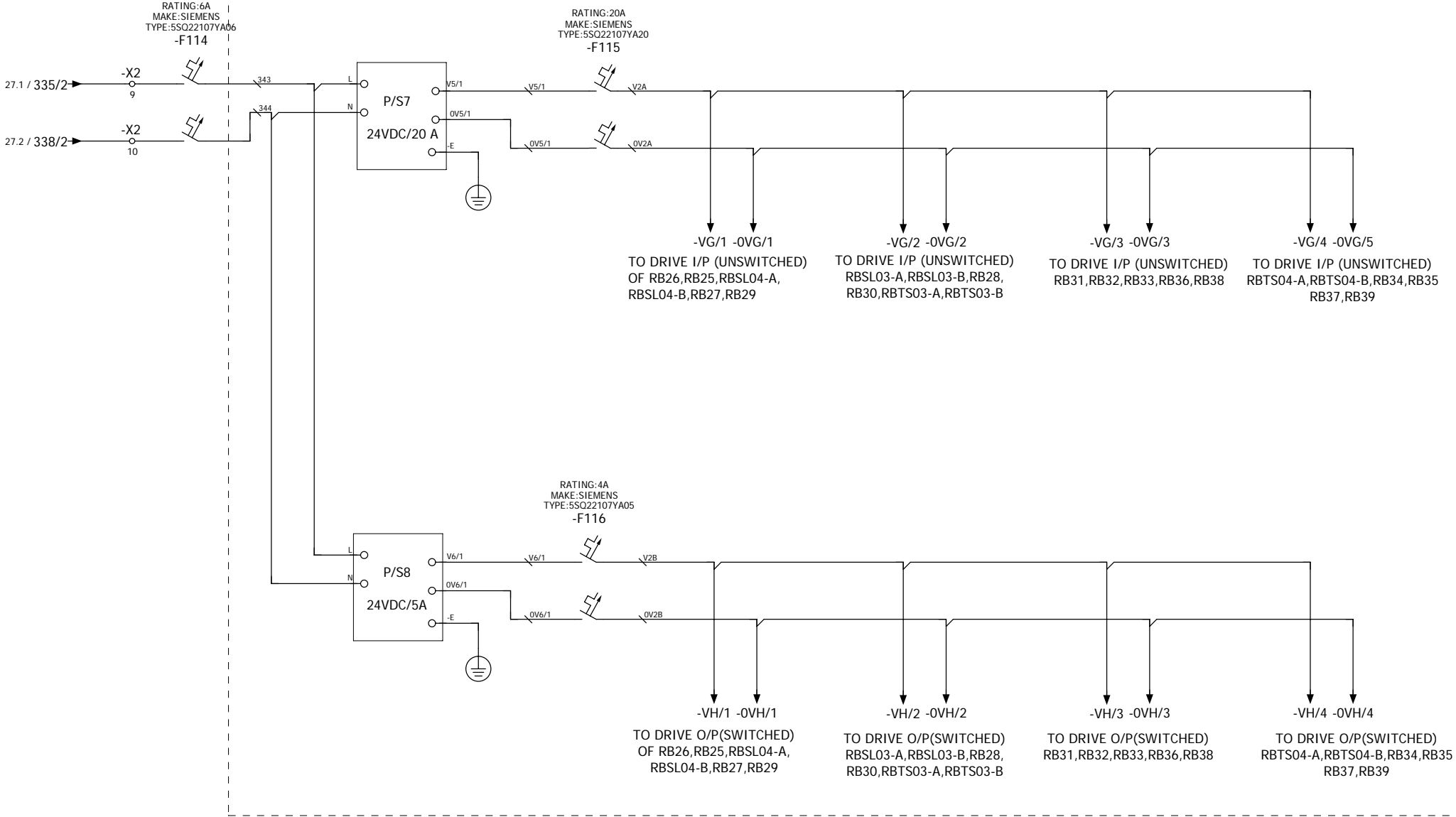
DRAWN	Date	Name
CHECKED		SHITAL
APPROVED		

PROJECT DESCRIPTION  
 HA-382 VOLVO FRANCE

TITLE  
 CONTROL CKT-3

PROJECT CODE :- **HA-382**  
 DRAWING NUMBER :-  
 Page 28  
 Pages 170

TO FIELD



DOCUMENT ID : CY/DD/R/07  
 REV : 00

**CYBERNETIK TECHNOLOGIES PVT.LTD, PUNE**

Drawn	Date	Name
Checked		SHITAL
Approved		

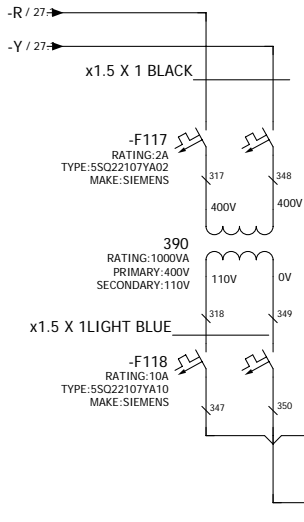
**PROJECT DESCRIPTION**  
 HA-382 VOLVO FRANCE

**TITLE**  
 CONTROL CKT-4

**PROJECT CODE :- HA-382**

DRAWING NUMBER :-

Page 29  
 Pages 170

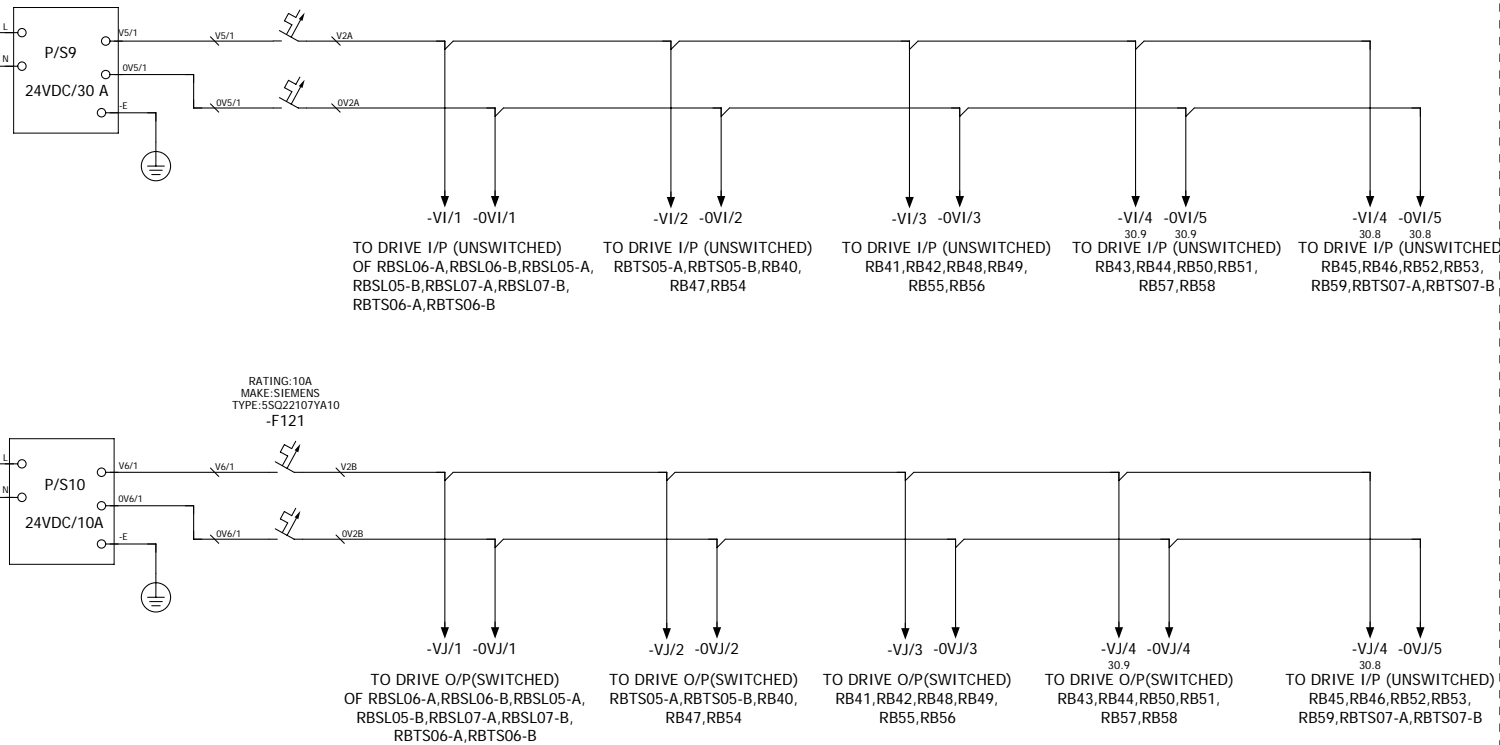


TO FIELD

RATING:8A  
MAKE:SIEMENS  
TYPE:5SQ22107YA08  
-F119

RATING:32A  
MAKE:SIEMENS  
TYPE:5SQ22107YA32  
-F120

RATING:10A  
MAKE:SIEMENS  
TYPE:5SQ22107YA10  
-F121



DOCUMENT ID : CY/DD/R/07  
REV : 00



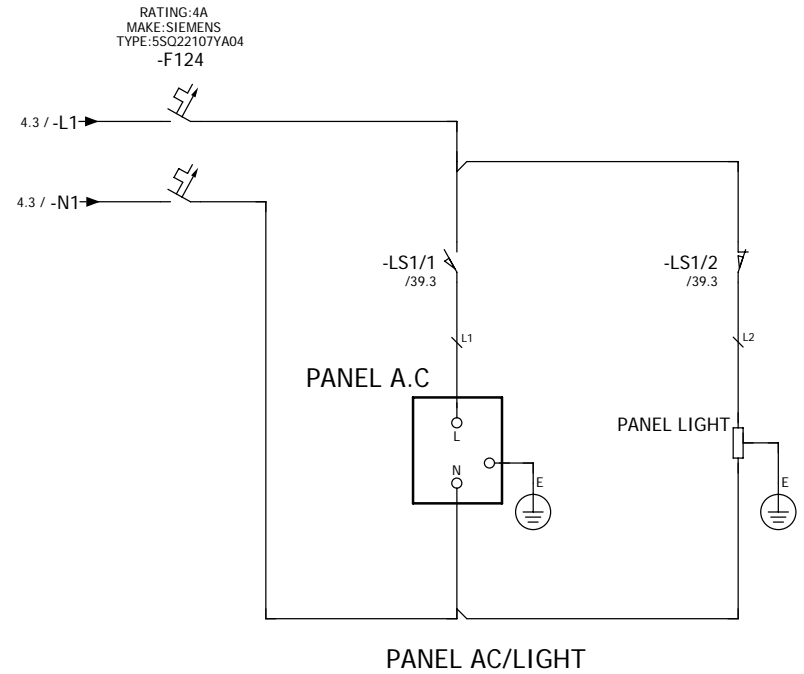
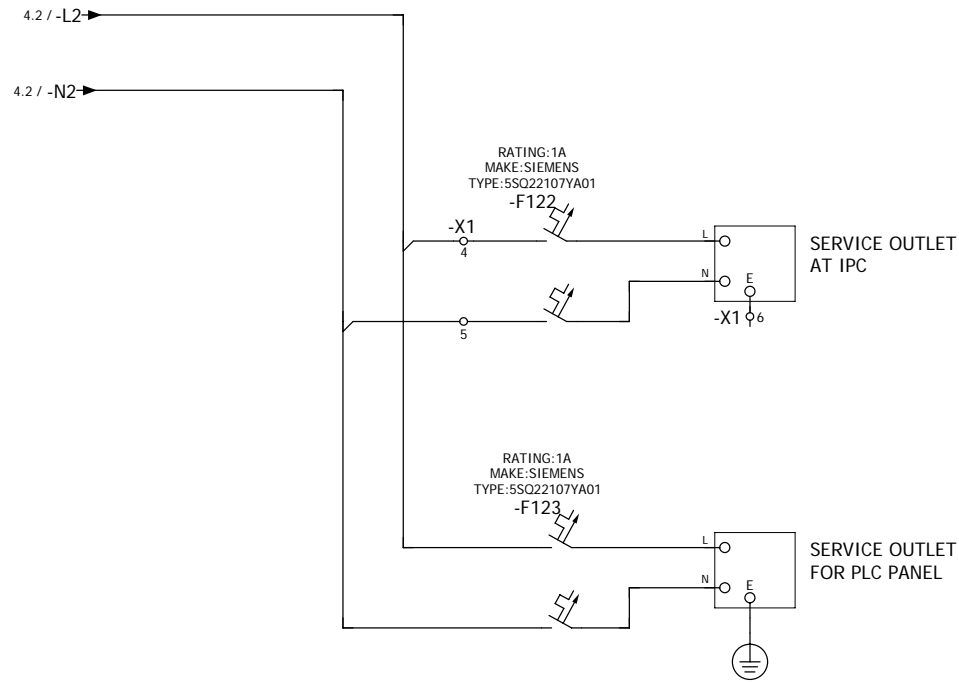
CYBERNETIK TECHNOLOGIES  
PVT.LTD, PUNE

DRAWN	Date	Name
CHECKED		SHITAL
APPROVED		

PROJECT DESCRIPTION	TITLE
HA-382 VOLVO FRANCE	CONTROL CKT-5

PROJECT CODE:-	HA-382
DRAWING NUMBER :-	

Page	30
Pages	170



DOCUMENT ID : CY/DD/R/07  
 REV : 00



CYBERNETIK TECHNOLOGIES  
 PVT.LTD, PUNE

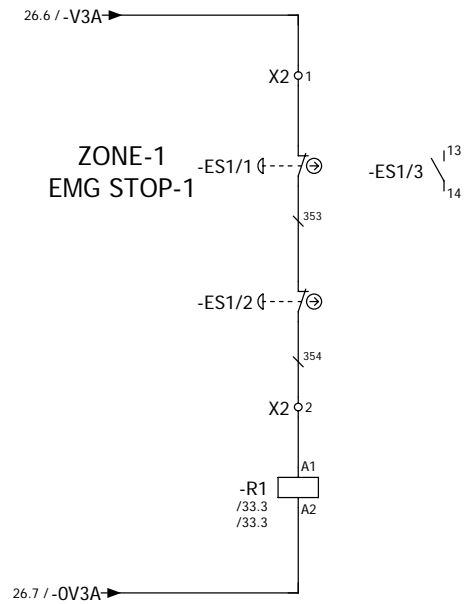
Drawn	Date	Name
CHECKED		SHITAL
APPROVED		

PROJECT DESCRIPTION  
 HA-382 VOLVO FRANCE

TITLE  
 CONTROL CKT-6

PROJECT CODE :-	<b>HA-382</b>
DRAWING NUMBER :-	
Page	31
Pages	170

# ZONE-1



DOCUMENT ID : CY/DD/R/07  
 REV : 00



CYBERNETIK TECHNOLOGIES  
 PVT.LTD, PUNE

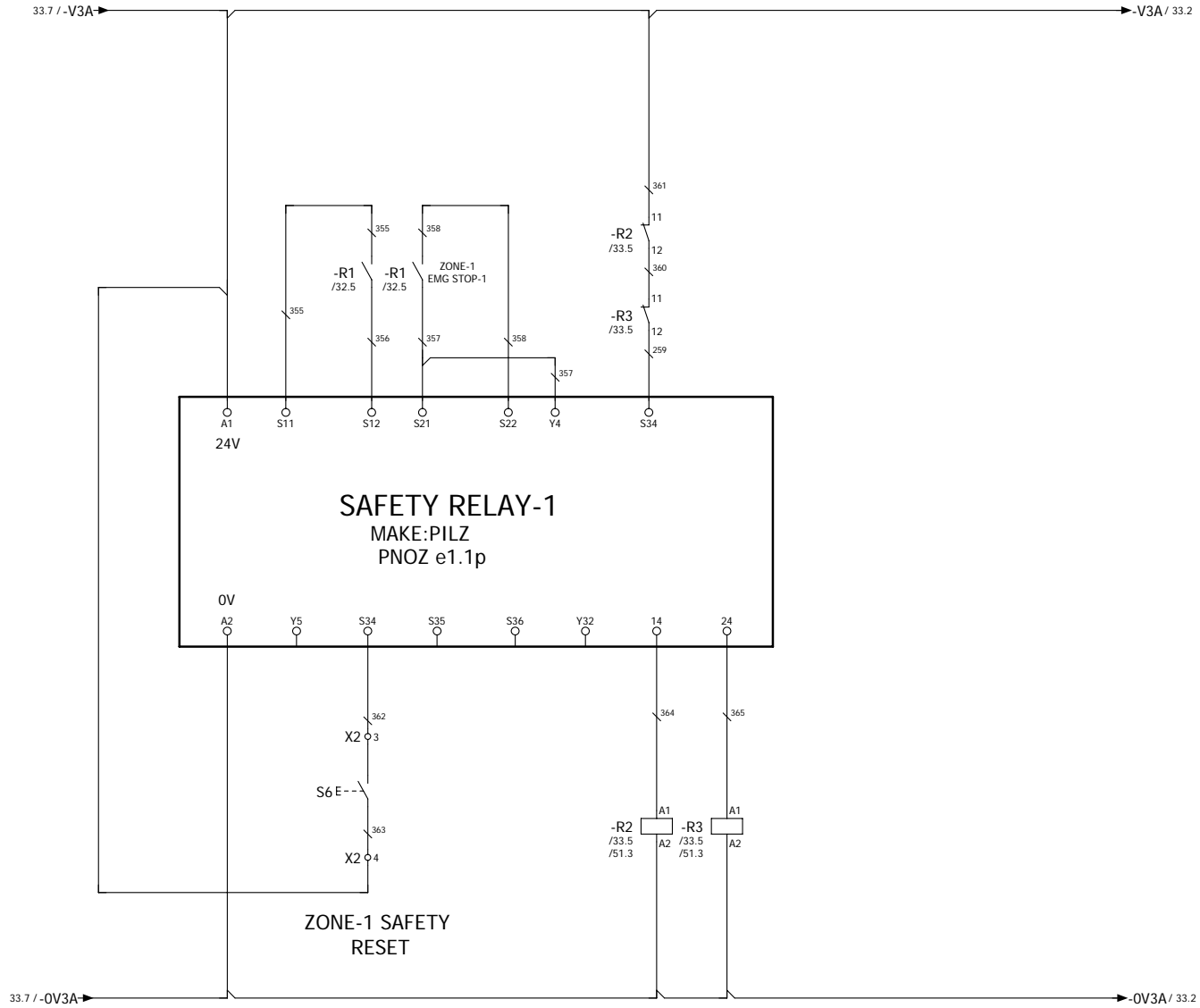
	Date	Name
DRAWN		SHITAL
CHECKED		
APPROVED		

PROJECT DESCRIPTION
HA-382 VOLVO FRANCE

TITLE
ZONE-1 EMG SAFETY

PROJECT CODE:-	<b>HA-382</b>	Page	32
DRAWING NUMBER :-		Pages	170

# ZONE-1



DOCUMENT ID : CY/DD/R/07  
REV : 00



CYBERNETIK TECHNOLOGIES  
PVT.LTD, PUNE

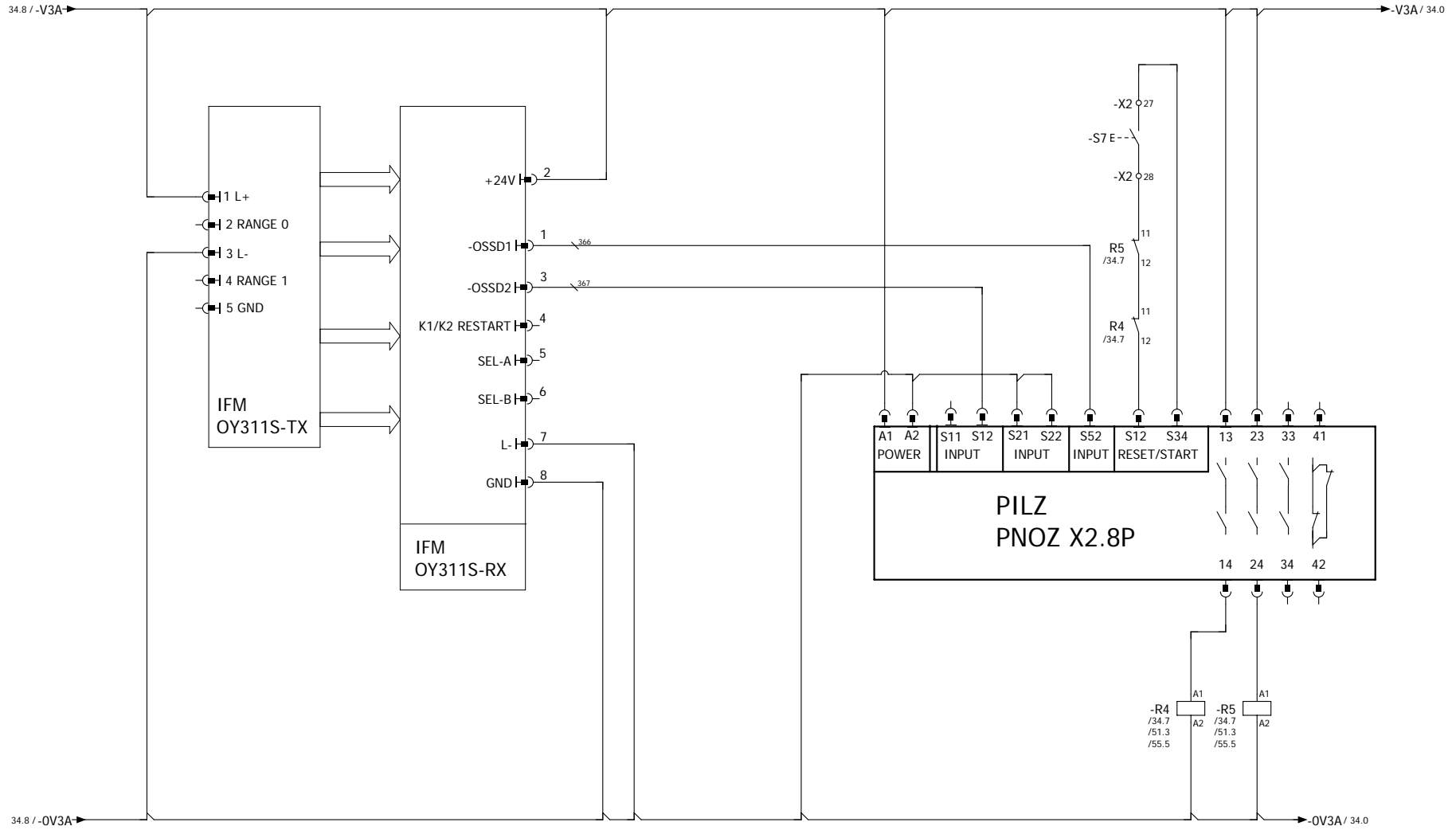
	Date	Name
DRAWN		SHITAL
CHECKED		
APPROVED		

PROJECT DESCRIPTION	TITLE
HA-382 VOLVO FRANCE	ZONE-1 SAFETY RELAY

PROJECT CODE:-	HA-382
DRAWING NUMBER :-	

Page	33
Pages	170

### ZONE-1-LIGHT CURTAIN-1



DOCUMENT ID : CY/DD/R/07  
REV : 00



CYBERNETIK TECHNOLOGIES  
PVT.LTD, PUNE

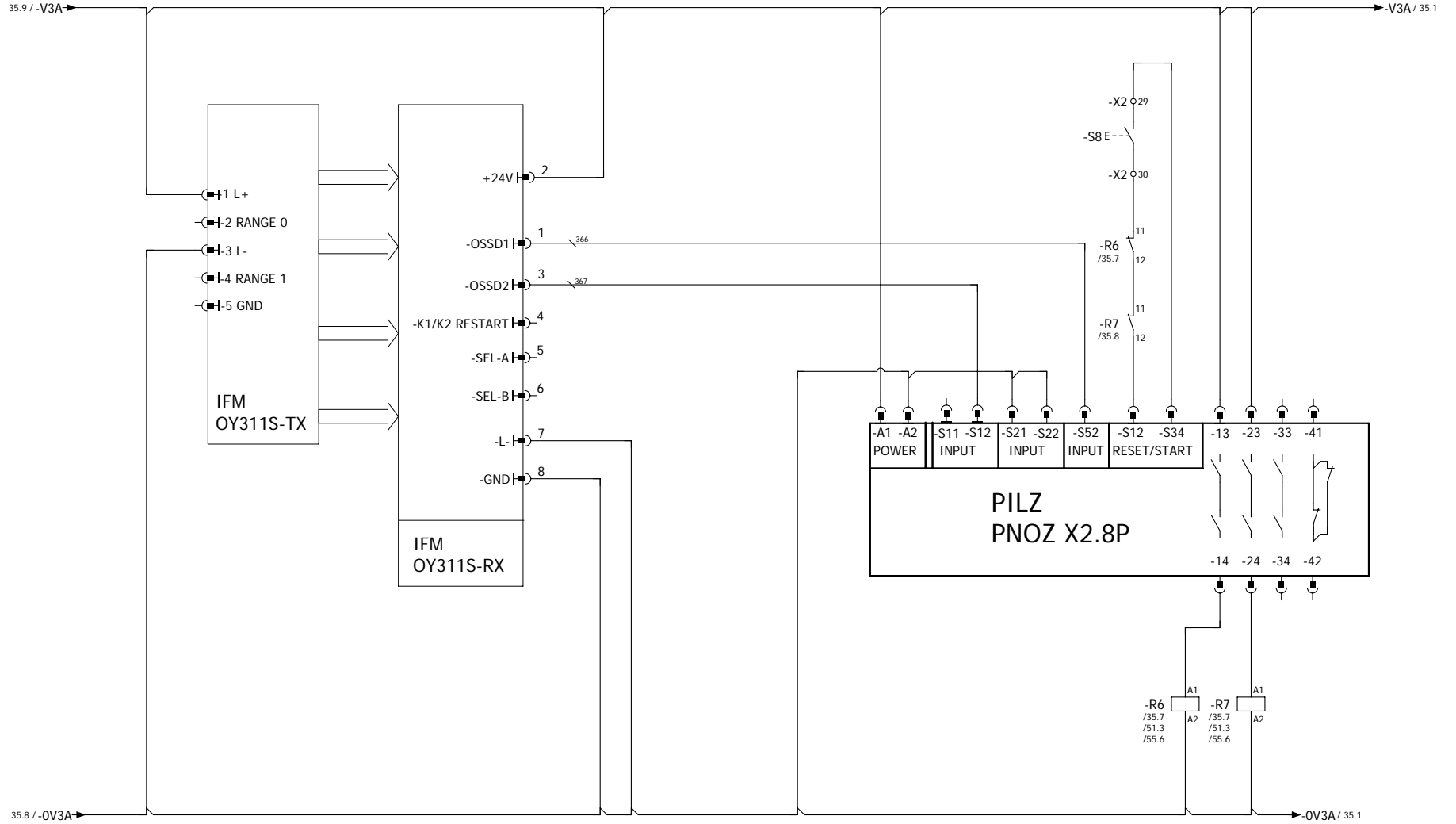
DRAWN	Date	Name
CHECKED		SHITAL
APPROVED		

PROJECT DESCRIPTION	TITLE
HA-382 VOLVO FRANCE	LC-1

PROJECT CODE :-	HA-382
DRAWING NUMBER :-	

Page	34
Pages	170

# ZONE-1-LIGHT CURTAIN-2



DOCUMENT ID : CY/DD/R/07  
REV : 00

**CYBERNETIK TECHNOLOGIES PVT.LTD, PUNE**

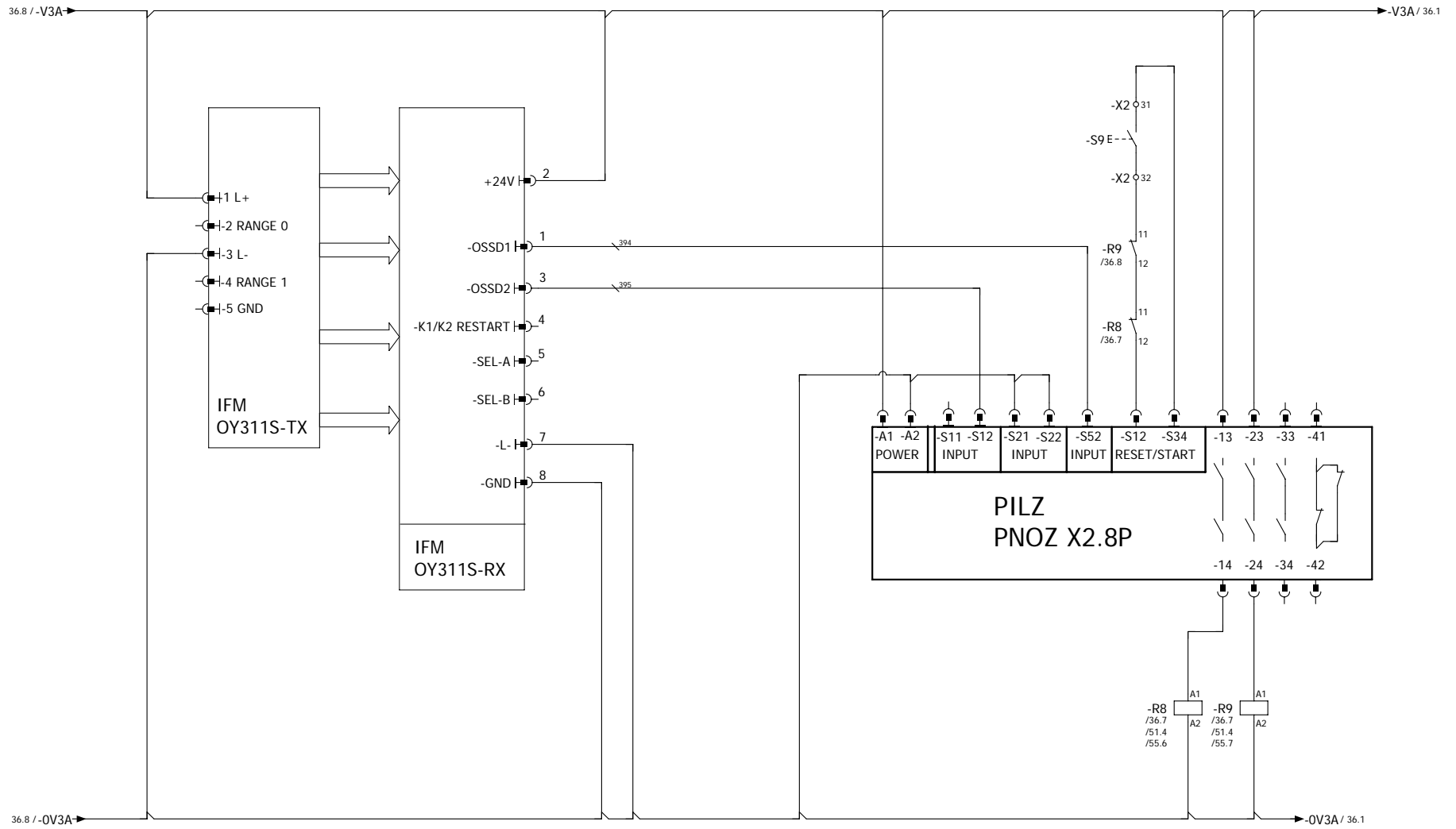
DRAWN	Date	Name
CHECKED		SHITAL
APPROVED		

PROJECT DESCRIPTION  
HA-382 VOLVO FRANCE

TITLE  
LC-2

PROJECT CODE :- **HA-382**  
DRAWING NUMBER :-  
Page 35  
Pages 170

# ZONE-1-LIGHT CURTAIN-3



DOCUMENT ID : CY/DD/R/07  
REV : 00

**CYBERNETIK TECHNOLOGIES PVT.LTD, PUNE**

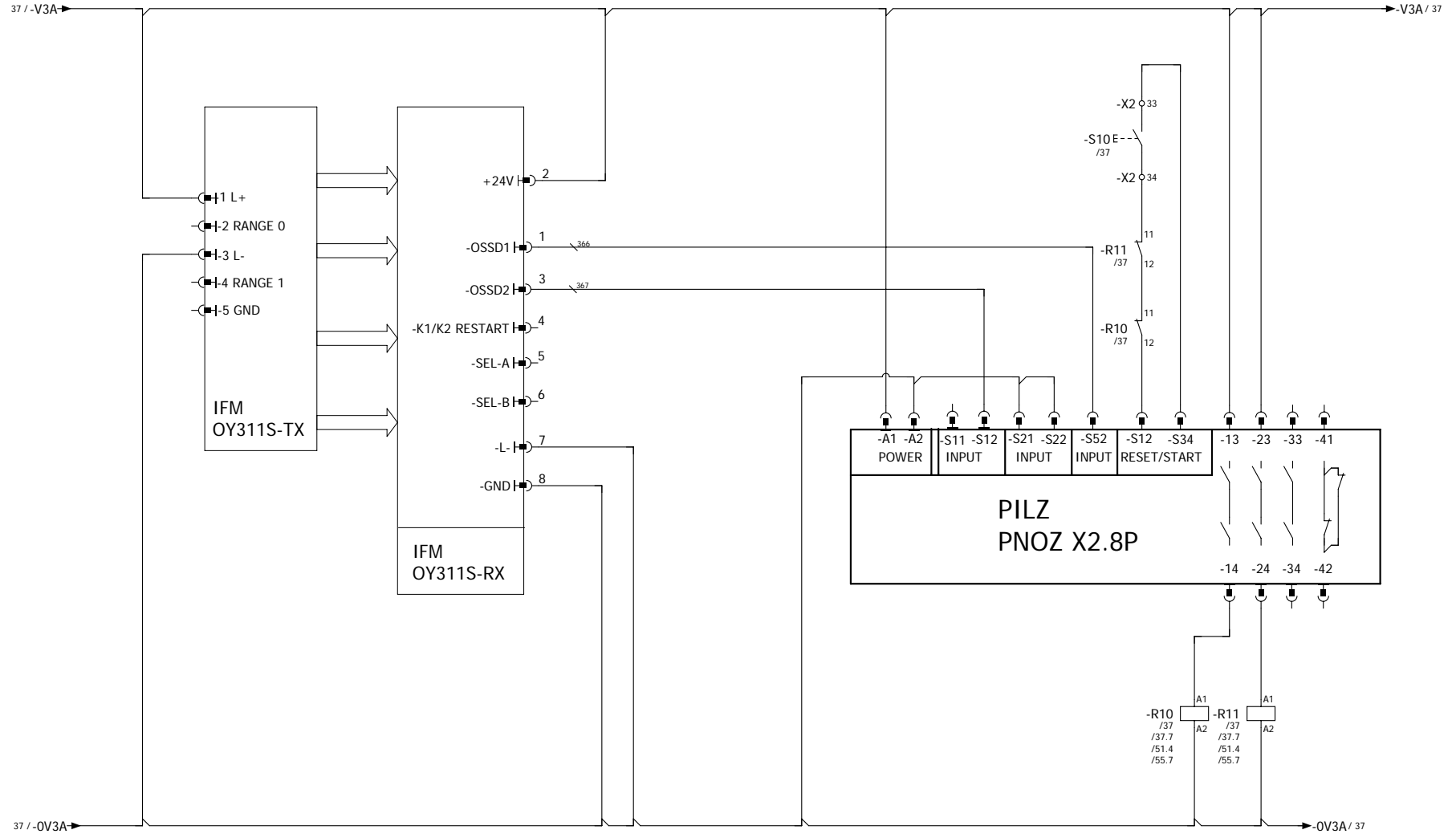
	Date	Name
DRAWN		SHITAL
CHECKED		
APPROVED		

PROJECT DESCRIPTION  
HA-382 VOLVO FRANCE

TITLE  
LC-3

PROJECT CODE:- **HA-382**  
DRAWING NUMBER :-

### ZONE-1-LIGHT CURTAIN-4



DOCUMENT ID : CY/DD/R/07  
REV : 00



CYBERNETIK TECHNOLOGIES  
PVT.LTD, PUNE

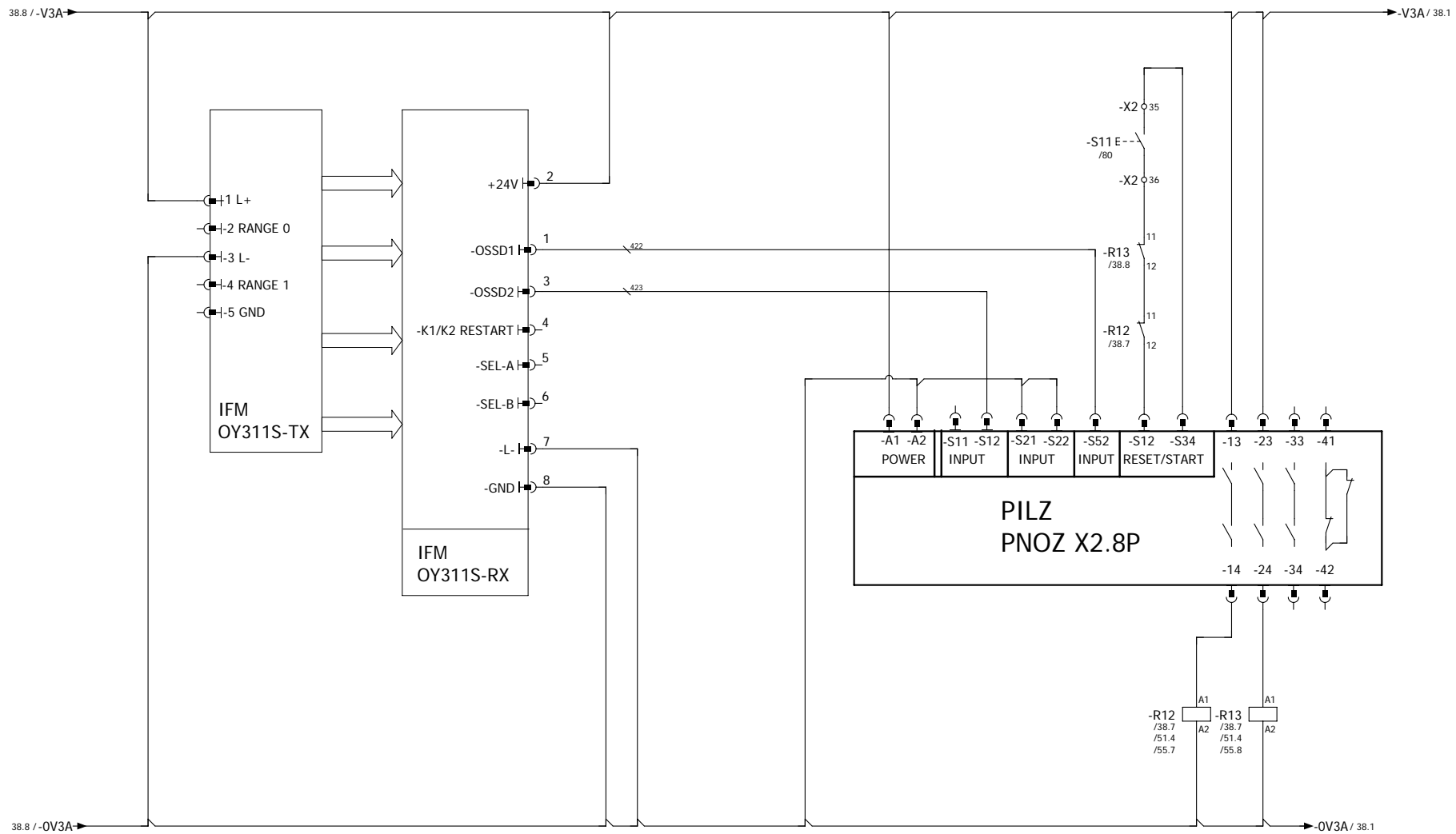
DRAWN	Date	Name
CHECKED		SHITAL
APPROVED		

PROJECT DESCRIPTION	TITLE
HA-382 VOLVO FRANCE	LC-4

PROJECT CODE :-	HA-382
DRAWING NUMBER :-	

Page	37
Pages	170

### ZONE-1-LIGHT CURTAIN-5



DOCUMENT ID : CY/DD/R/07  
REV : 00

**CYBERNETIK TECHNOLOGIES PVT.LTD, PUNE**

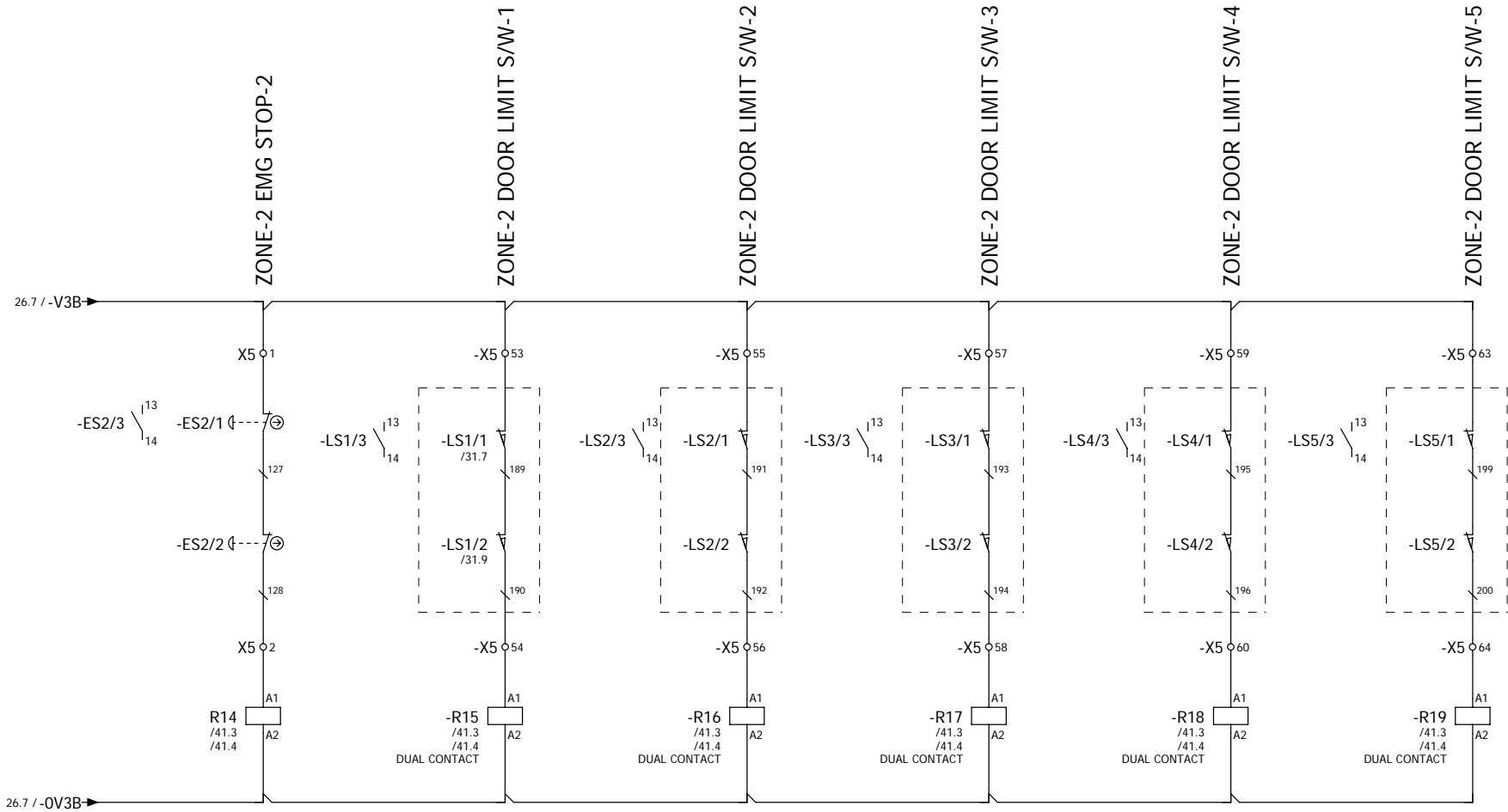
Drawn	Date	Name
Checked		SHITAL
Approved		

PROJECT DESCRIPTION  
HA-382 VOLVO FRANCE

TITLE  
LC-5

PROJECT CODE :-	<b>HA-382</b>
DRAWING NUMBER :-	
Page	38
Pages	170

# ZONE-2



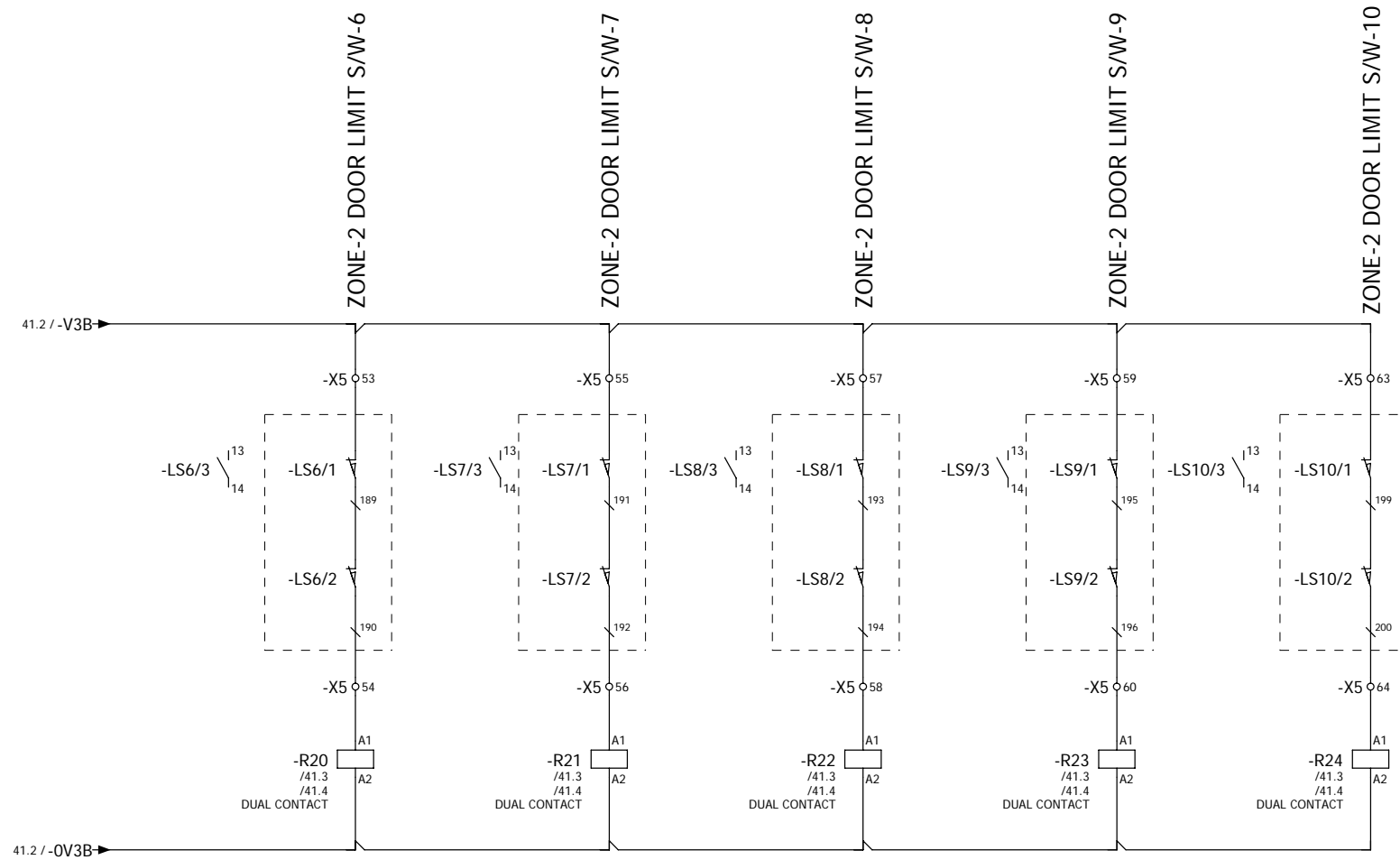
DOCUMENT ID : CY/DD/R/07  
REV : 00



CYBERNETIK TECHNOLOGIES  
PVT.LTD, PUNE

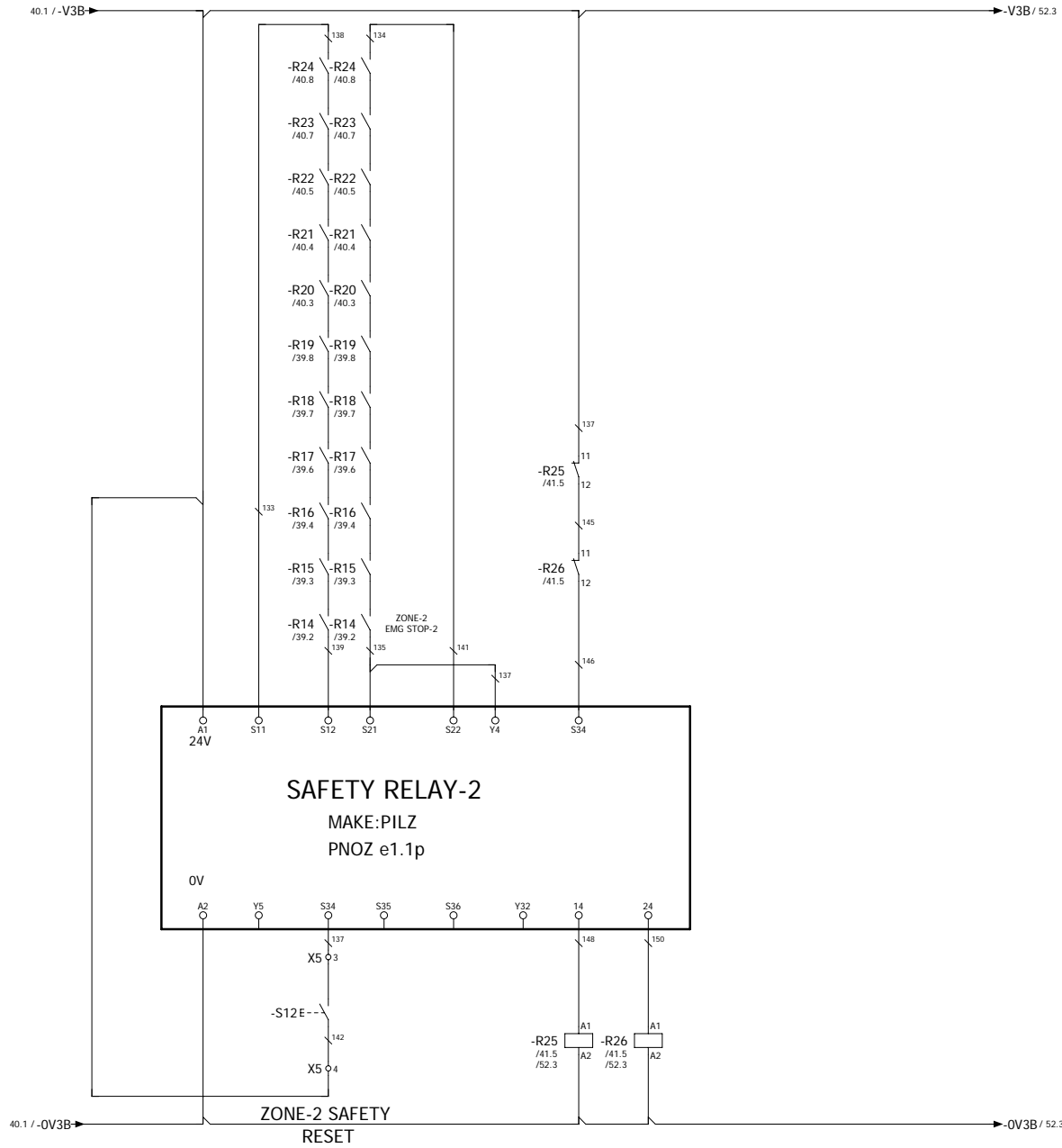
Drawn	Date	Name	PROJECT DESCRIPTION	TITLE	PROJECT CODE :-	HA-382
DRAWN		SHITAL	HA-382 VOLVO FRANCE	ZONE-2 EMG SAFETY	DRAWING NUMBER :-	Page 39 Pages 170
CHECKED						
APPROVED						

# ZONE-2




	Date	Name
DRAWN		SHITAL
CHECKED		
APPROVED		

# ZONE-2



DOCUMENT ID : CY/DD/R/07  
REV : 00

 CYBERNETIK TECHNOLOGIES  
PVT.LTD, PUNE

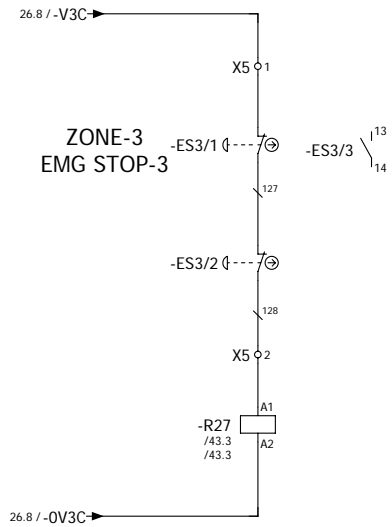
DATE	NAME
	SHITAL
CHECKED	
APPROVED	

PROJECT DESCRIPTION  
HA-382 VOLVO FRANCE

TITLE  
ZONE-2 SAFETY RELAY

PROJECT CODE :-	<b>HA-382</b>
DRAWING NUMBER :-	
Page	41
Pages	170

# ZONE-3



DOCUMENT ID : CY/DD/R/07  
 REV : 00



CYBERNETIK TECHNOLOGIES  
 PVT.LTD, PUNE

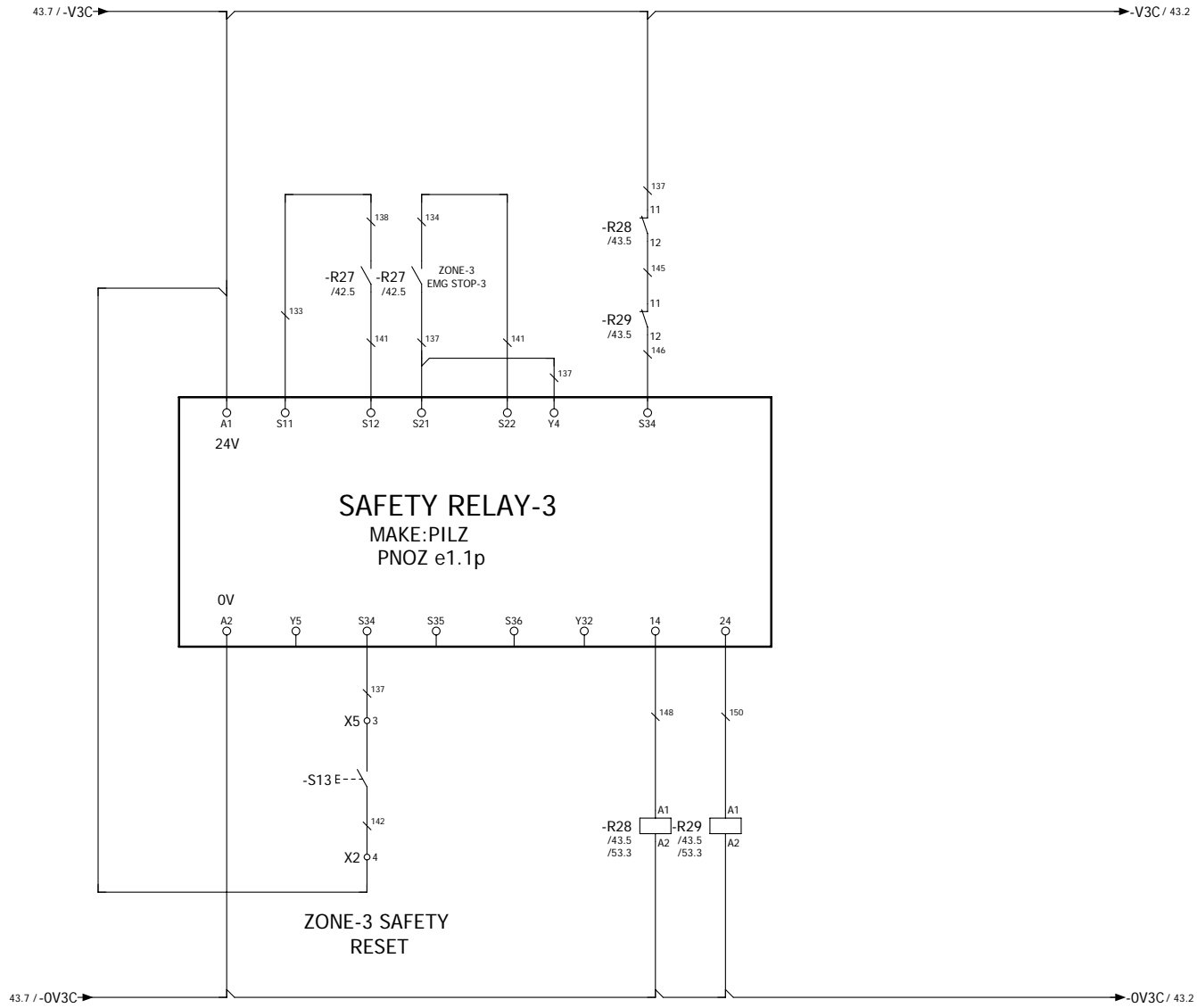
	Date	Name
DRAWN		SHITAL
CHECKED		
APPROVED		

PROJECT DESCRIPTION
HA-382 VOLVO FRANCE


TITLE
ZONE-3 EMG SAFETY

PROJECT CODE:-	<b>HA-382</b>
DRAWING NUMBER :-	
Page	42
Pages	170

# ZONE-3



DOCUMENT ID : CY/DD/R/07  
REV : 00

 CYBERNETIK TECHNOLOGIES  
PVT.LTD, PUNE

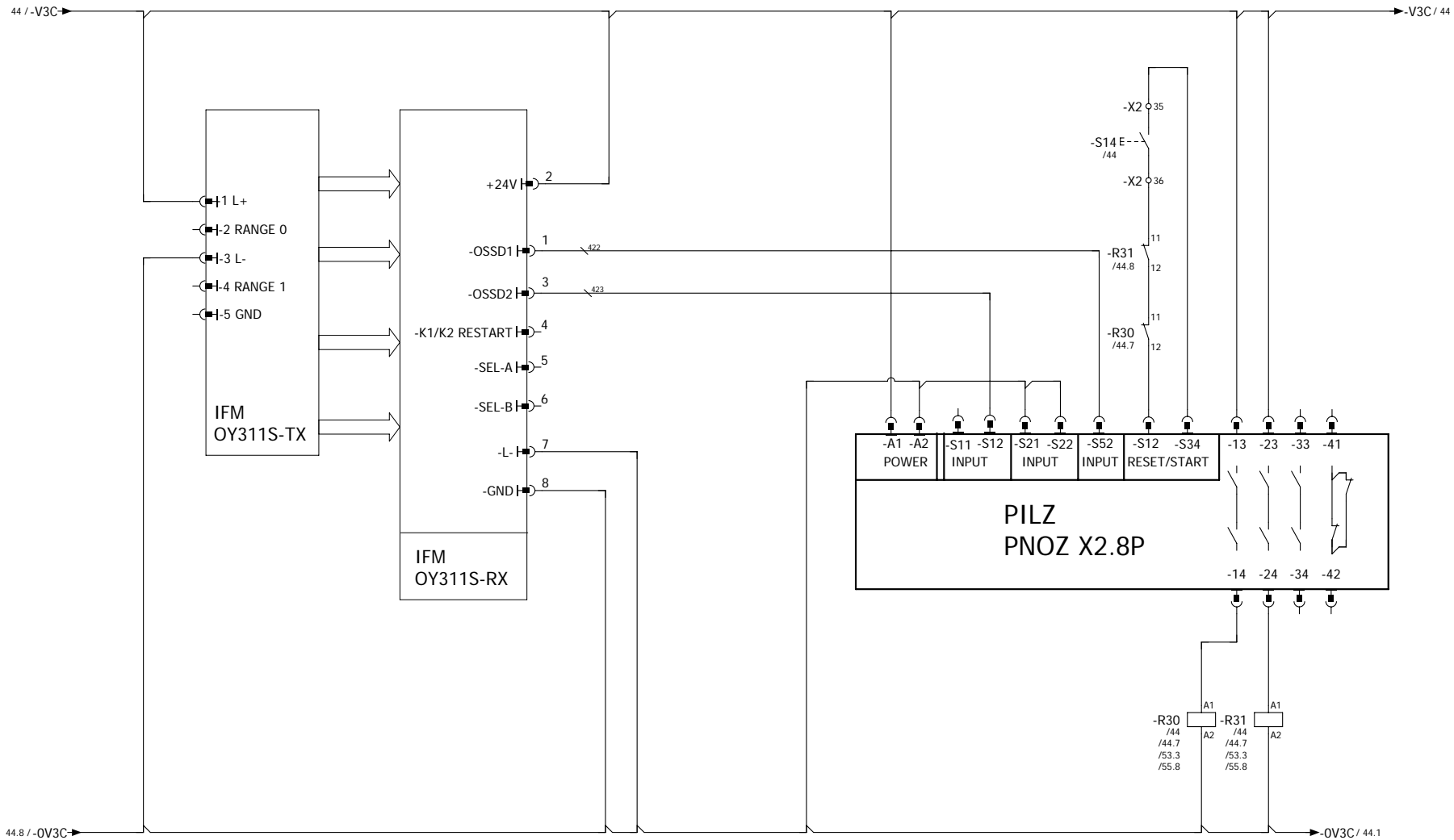
Drawn	Date	Name
Checked		SHITAL
Approved		

PROJECT DESCRIPTION  
HA-382 VOLVO FRANCE

TITLE  
ZONE-3 SAFETY RELAY

PROJECT CODE :-	<b>HA-382</b>
DRAWING NUMBER :-	
Page	43
Pages	170

### ZONE-3 LIGHT CURTAIN-6



DOCUMENT ID : CY/DD/R/07  
REV : 00



CYBERNETIK TECHNOLOGIES  
PVT.LTD, PUNE

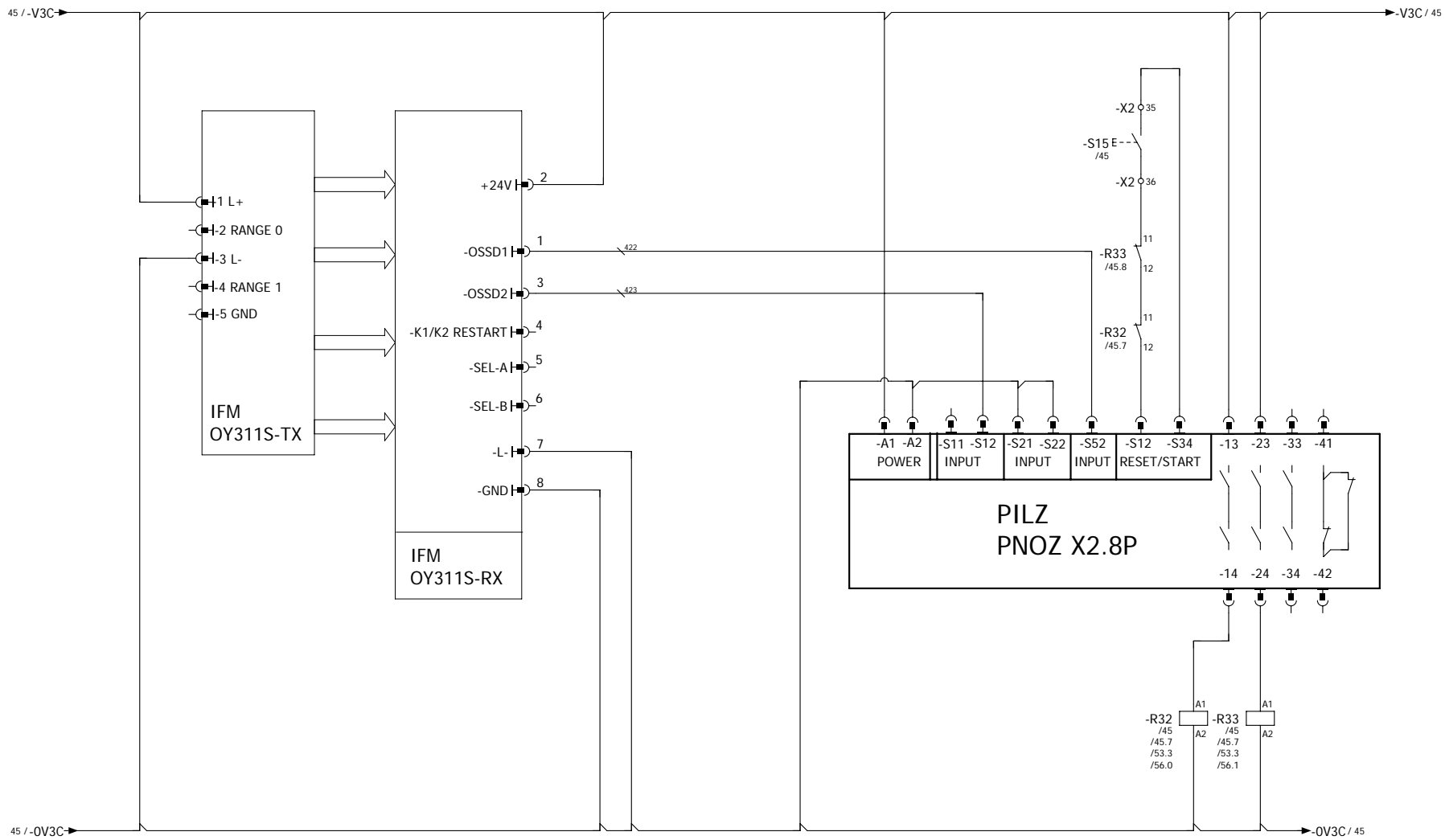
DRAWN	Date	Name
CHECKED		SHITAL
APPROVED		

PROJECT DESCRIPTION	TITLE
HA-382 VOLVO FRANCE	LC-1

PROJECT CODE :-	HA-382
DRAWING NUMBER :-	

Page	44
Pages	170

# ZONE-3 LIGHT CURTAIN-6



DOCUMENT ID : CY/DD/R/07  
REV : 00

**CYBERNETIK TECHNOLOGIES PVT.LTD, PUNE**

Drawn	Date	Name
Checked		SHITAL
Approved		

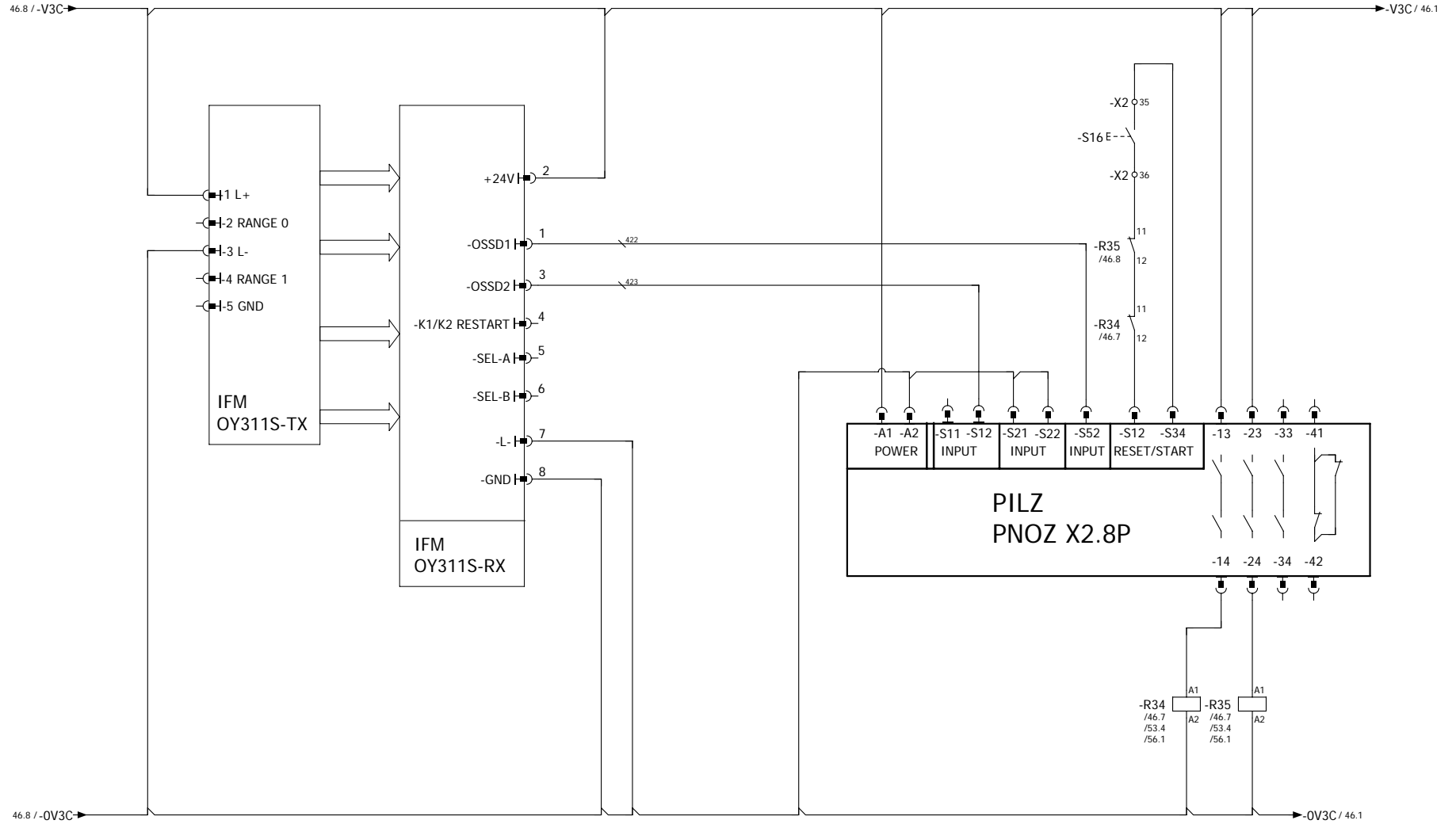
PROJECT DESCRIPTION  
HA-382 VOLVO FRANCE

TITLE  
LC-2

PROJECT CODE :- **HA-382**

DRAWING NUMBER :-

### ZONE-3 LIGHT CURTAIN-8



DOCUMENT ID : CY/DD/R/07  
REV : 00

**CYBERNETIK TECHNOLOGIES PVT.LTD, PUNE**

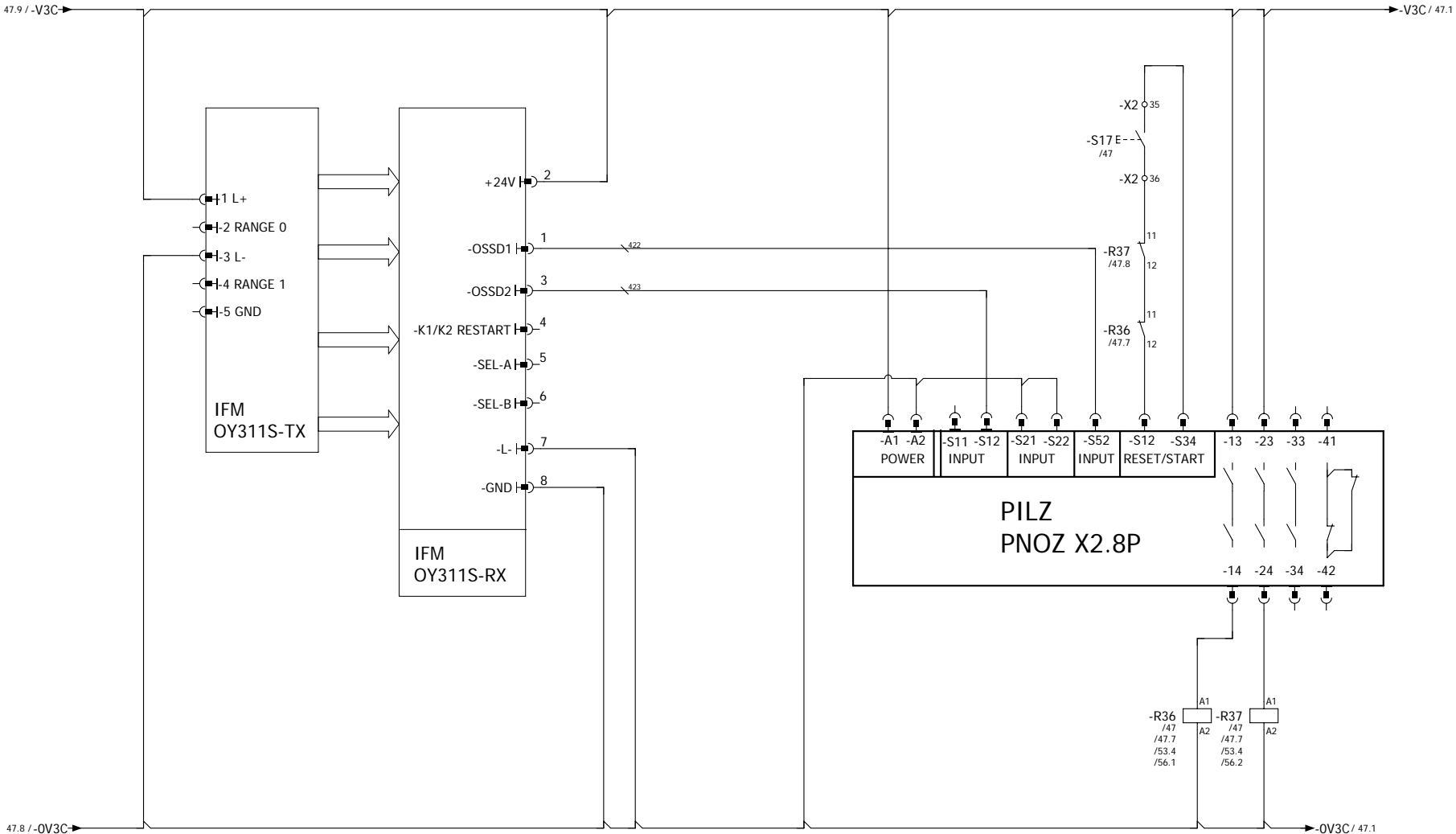
DRAWN	Date	Name
CHECKED		SHITAL
APPROVED		

PROJECT DESCRIPTION  
HA-382 VOLVO FRANCE

TITLE  
LC-3

PROJECT CODE :- **HA-382**  
DRAWING NUMBER :-  
Page 46  
Pages 170

### ZONE-4 LIGHT CURTAIN-9



DOCUMENT ID : CY/DD/R/07

REV : 00

CYBERNETIK TECHNOLOGIES PVT.LTD, PUNE

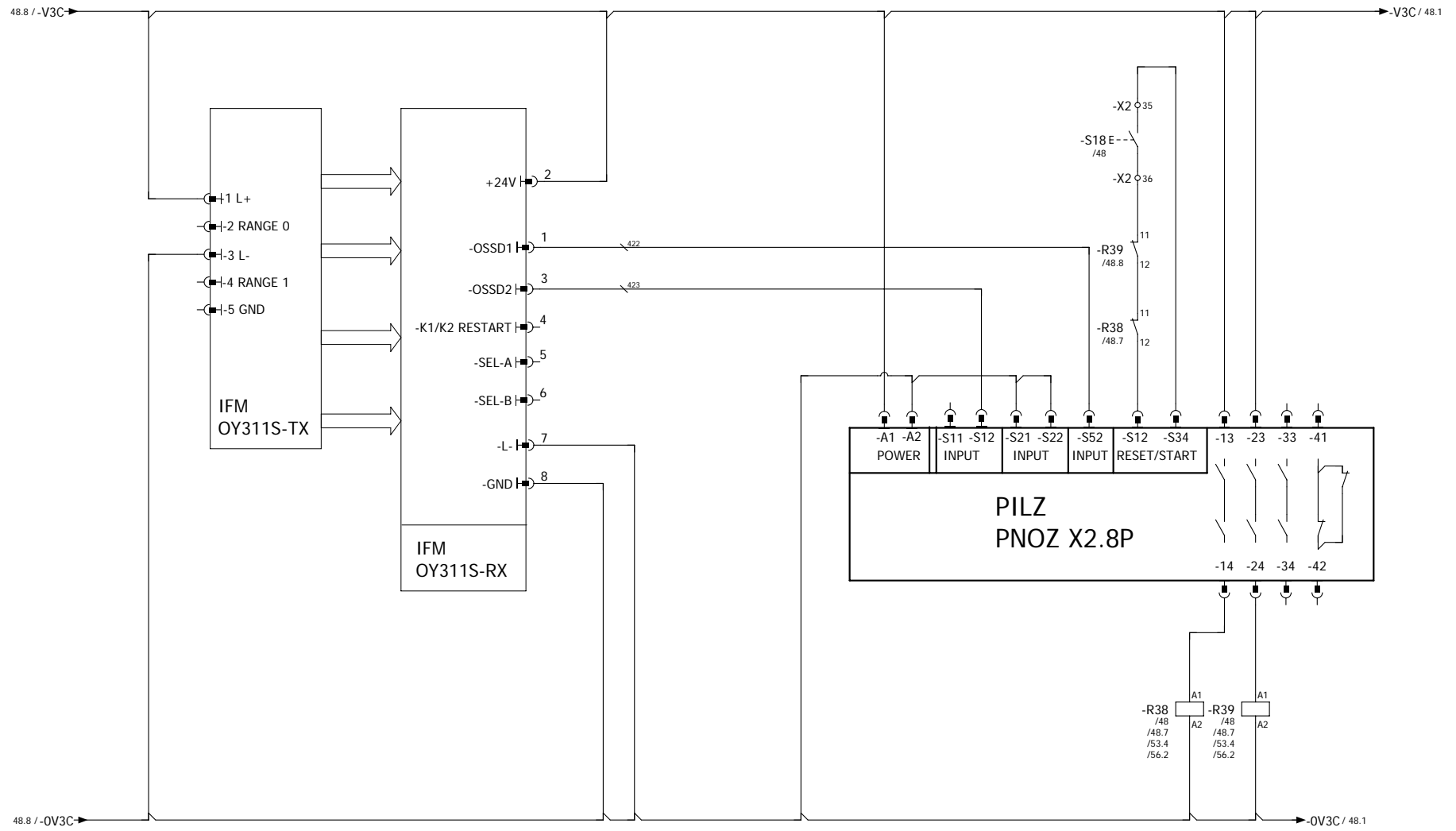
DRAWN	Date	Name
CHECKED		SHITAL
APPROVED		

PROJECT DESCRIPTION	TITLE
HA-382 VOLVO FRANCE	LC-4

PROJECT CODE :-	HA-382
DRAWING NUMBER :-	

Page	47
Pages	170

### ZONE-3-LIGHT CURTAIN-10



DOCUMENT ID : CY/DD/R/07  
REV : 00

**CYBERNETIK TECHNOLOGIES PVT.LTD, PUNE**

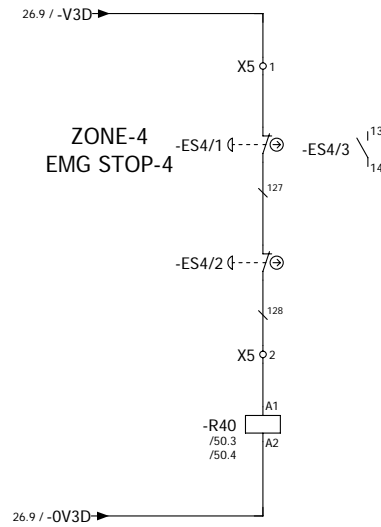
Drawn	Date	Name
Checked		SHITAL
Approved		

PROJECT DESCRIPTION  
HA-382 VOLVO FRANCE


TITLE  
LC-5

PROJECT CODE :-	<b>HA-382</b>
DRAWING NUMBER :-	
Page	48
Pages	170

# ZONE-4



DOCUMENT ID : CY/DD/R/07  
 REV : 00

 CYBERNETIK TECHNOLOGIES  
 PVT.LTD, PUNE

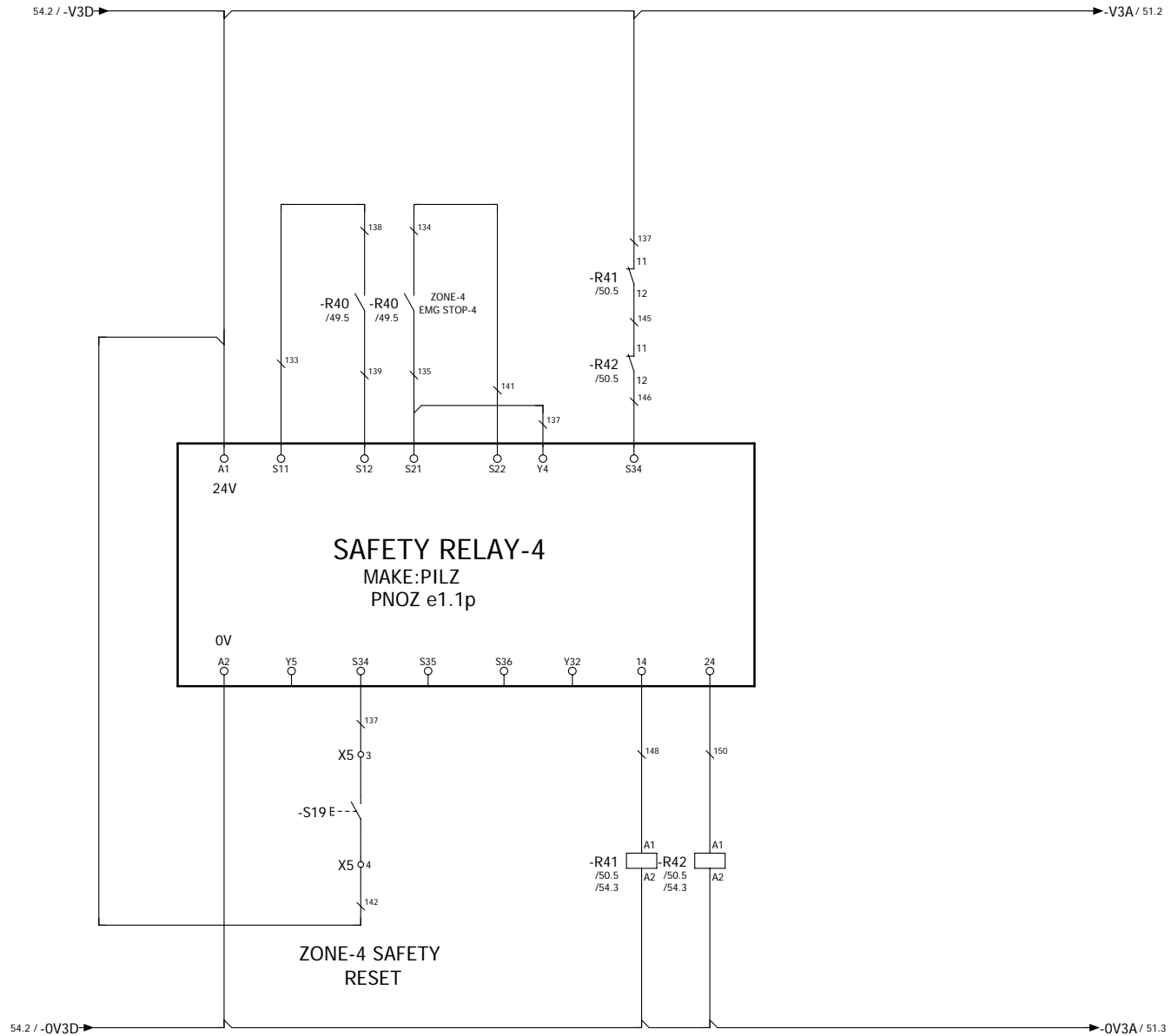
	Date	Name
DRAWN		SHITAL
CHECKED		
APPROVED		

PROJECT DESCRIPTION  
 HA-382 VOLVO FRANCE

TITLE  
 ZONE-4 EMG SAFETY

PROJECT CODE:- **HA-382**  
 DRAWING NUMBER :-

# ZONE-4



DOCUMENT ID : CY/DD/R/07  
REV : 00

**CYBERNETIK TECHNOLOGIES PVT.LTD, PUNE**

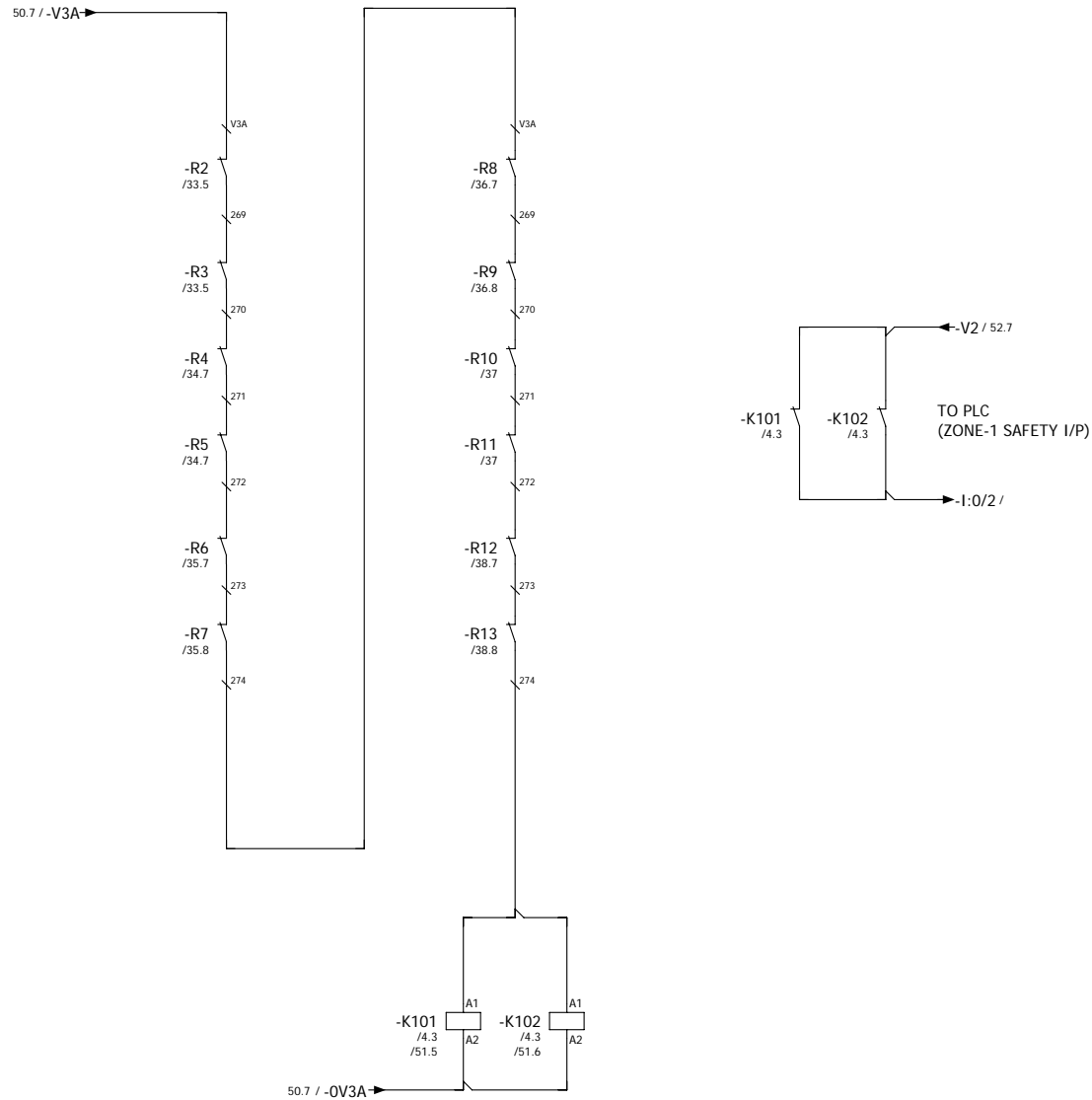
DATE	NAME
	SHITAL
CHECKED	
APPROVED	

PROJECT DESCRIPTION  
HA-382 VOLVO FRANCE

TITLE  
ZONE-4 SAFETY RELAY

PROJECT CODE :-	<b>HA-382</b>
DRAWING NUMBER :-	
Page	50
Pages	170

# ZONE-1



DOCUMENT ID : CY/DD/R/07  
REV : 00

**CYBERNETIK TECHNOLOGIES PVT.LTD, PUNE**

	Date	Name
DRAWN		SHITAL
CHECKED		
APPROVED		

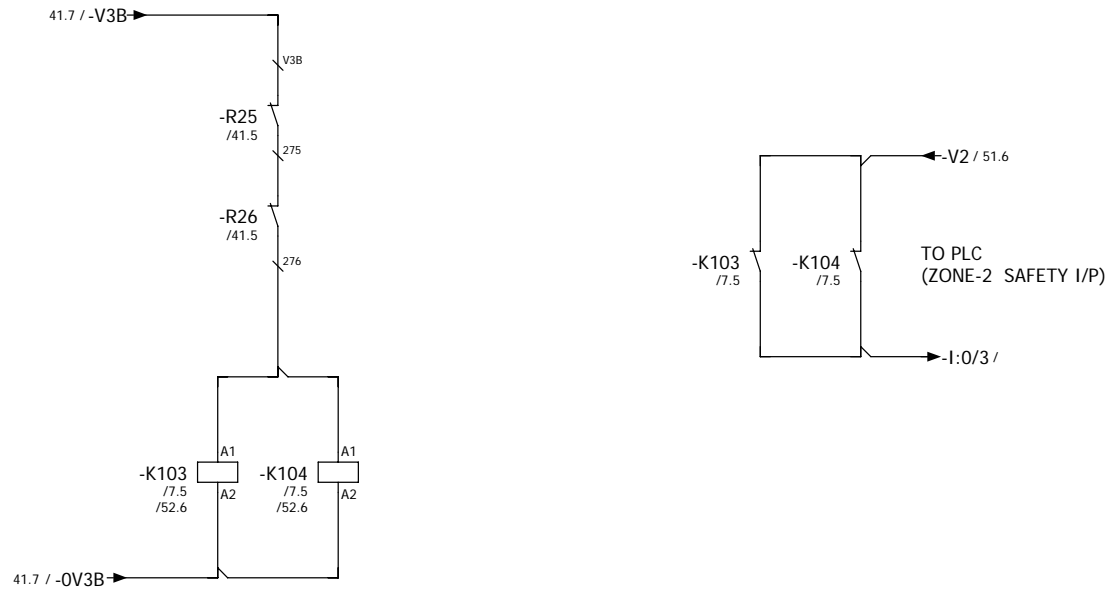
**PROJECT DESCRIPTION**  
HA-382 VOLVO FRANCE

**TITLE**  
ZONE-1

**PROJECT CODE:- HA-382**

**DRAWING NUMBER :-**

# ZONE-2



DOCUMENT ID : CY/DD/R/07  
 REV : 00



CYBERNETIK TECHNOLOGIES  
 PVT.LTD, PUNE

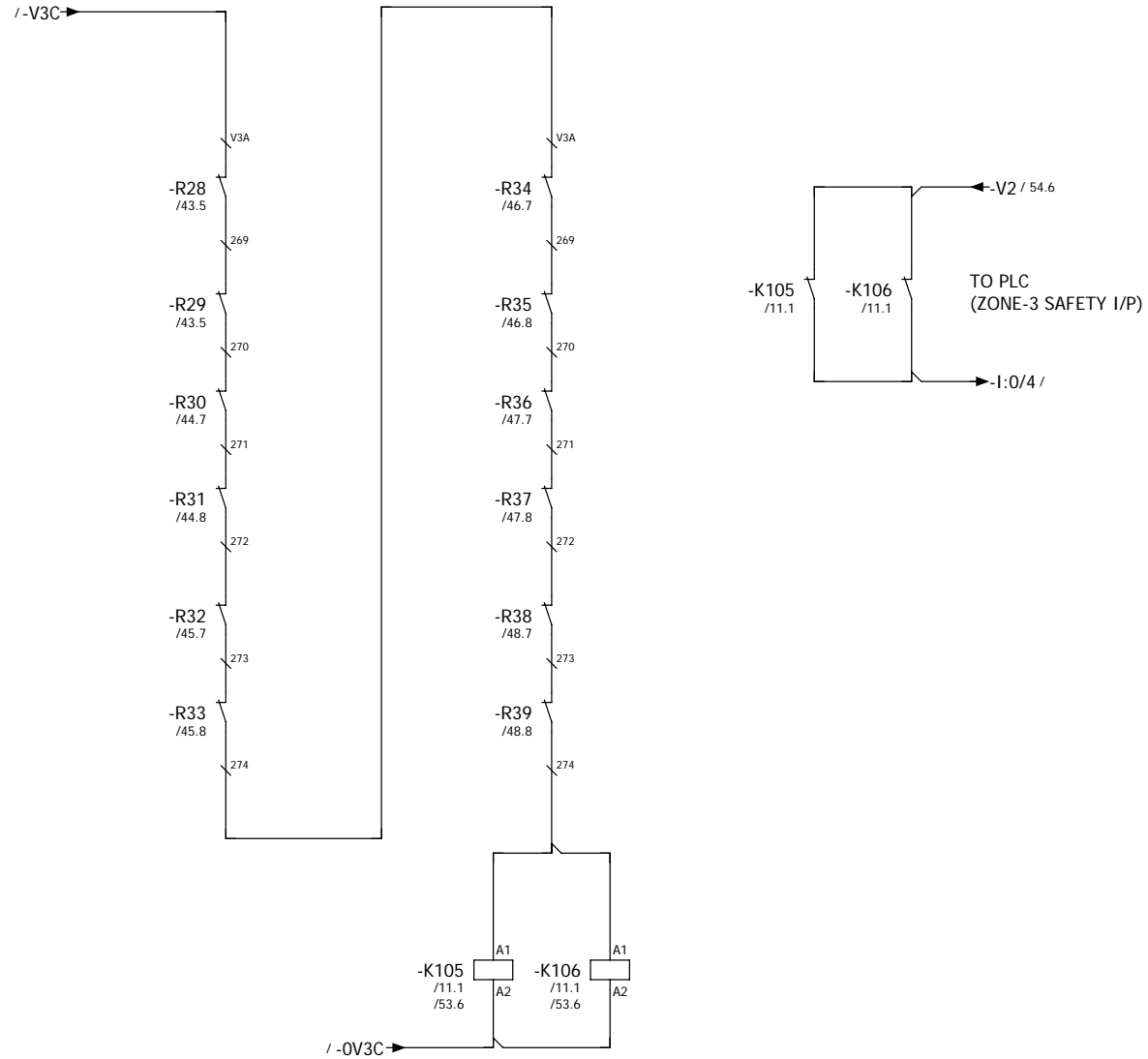
	Date	Name
DRAWN		SHITAL
CHECKED		
APPROVED		

PROJECT DESCRIPTION  
 HA-382 VOLVO FRANCE

TITLE  
 ZONE-2

PROJECT CODE:-	<b>HA-382</b>
DRAWING NUMBER :-	
Page	52
Pages	170

# ZONE-3



DOCUMENT ID : CY/DD/R/07  
 REV : 00

**CYBERNETIK TECHNOLOGIES**  
 PVT.LTD, PUNE

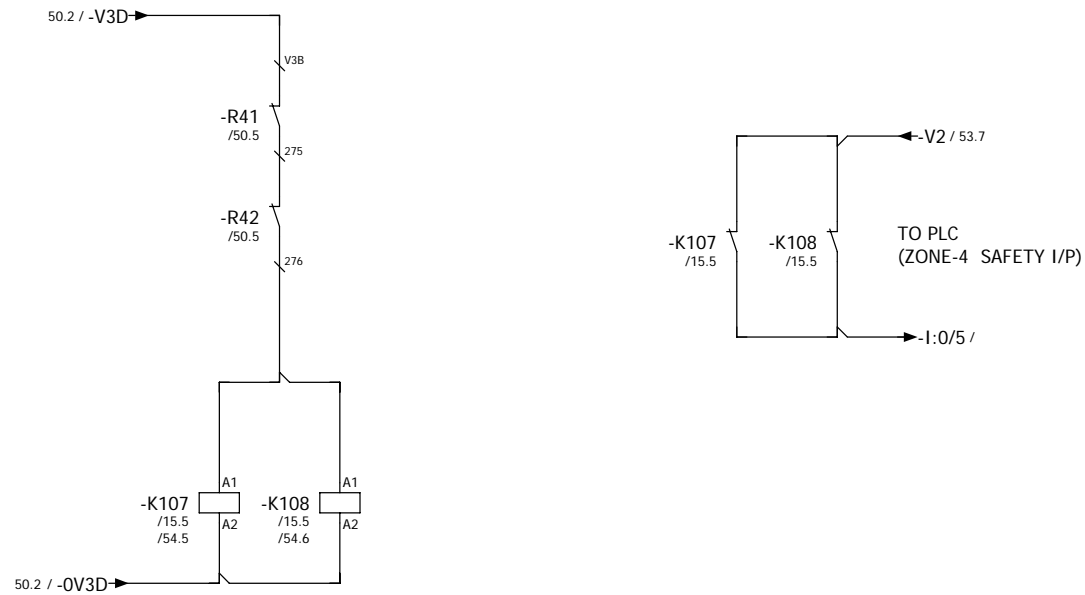
	Date	Name
DRAWN		SHITAL
CHECKED		
APPROVED		

PROJECT DESCRIPTION  
 HA-382 VOLVO FRANCE

TITLE  
 ZONE-3

PROJECT CODE:-	<b>HA-382</b>
DRAWING NUMBER :-	
Page	53
Pages	170

# ZONE-2



DOCUMENT ID : CY/DD/R/07  
 REV : 00

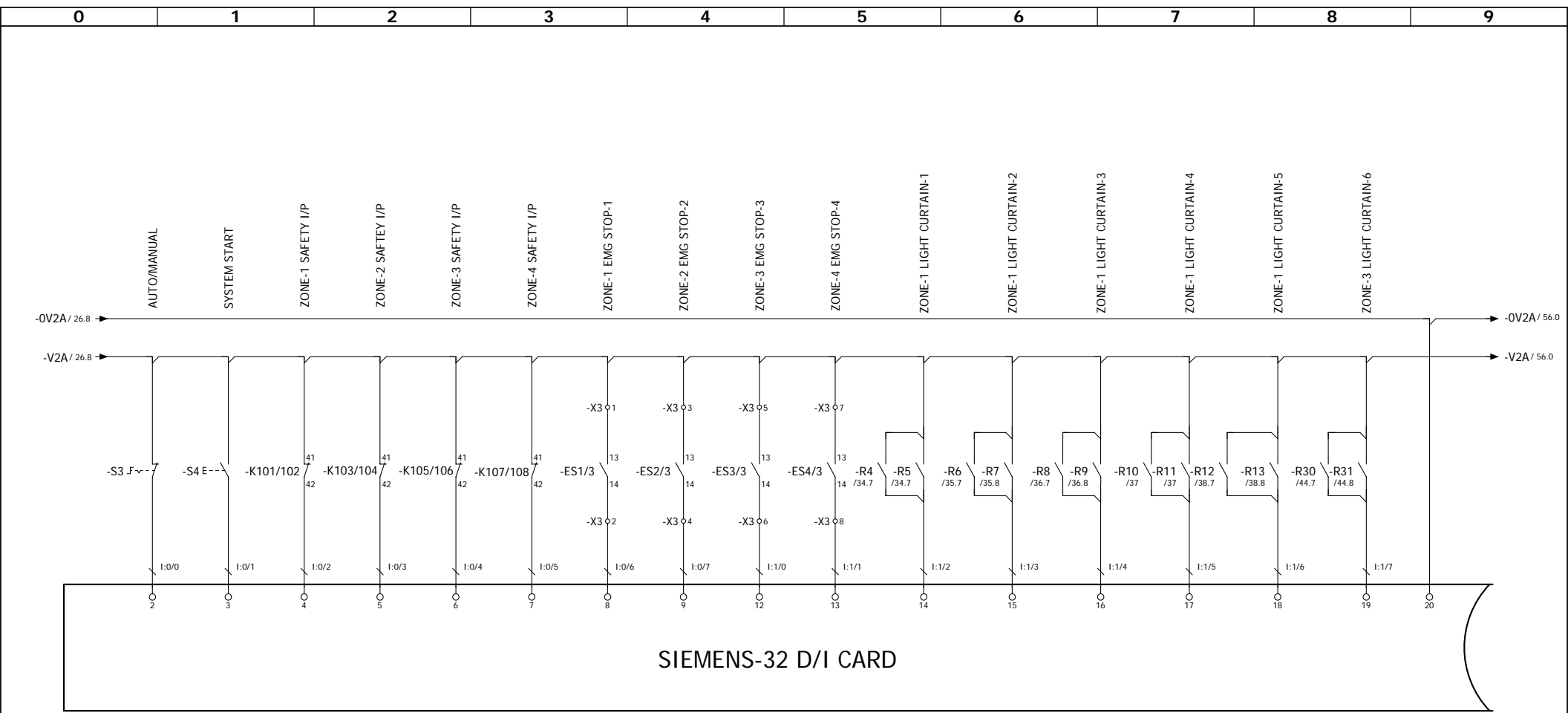
**CYBERNETIK TECHNOLOGIES**  
 PVT.LTD, PUNE

	Date	Name
DRAWN		SHITAL
CHECKED		
APPROVED		

PROJECT DESCRIPTION  
 HA-382 VOLVO FRANCE

TITLE  
 ZONE-4

PROJECT CODE:-	<b>HA-382</b>
DRAWING NUMBER :-	
Page	54
Pages	170



SIEMENS-32 D/I CARD

DOCUMENT ID : CY/DD/R/07  
REV : 00



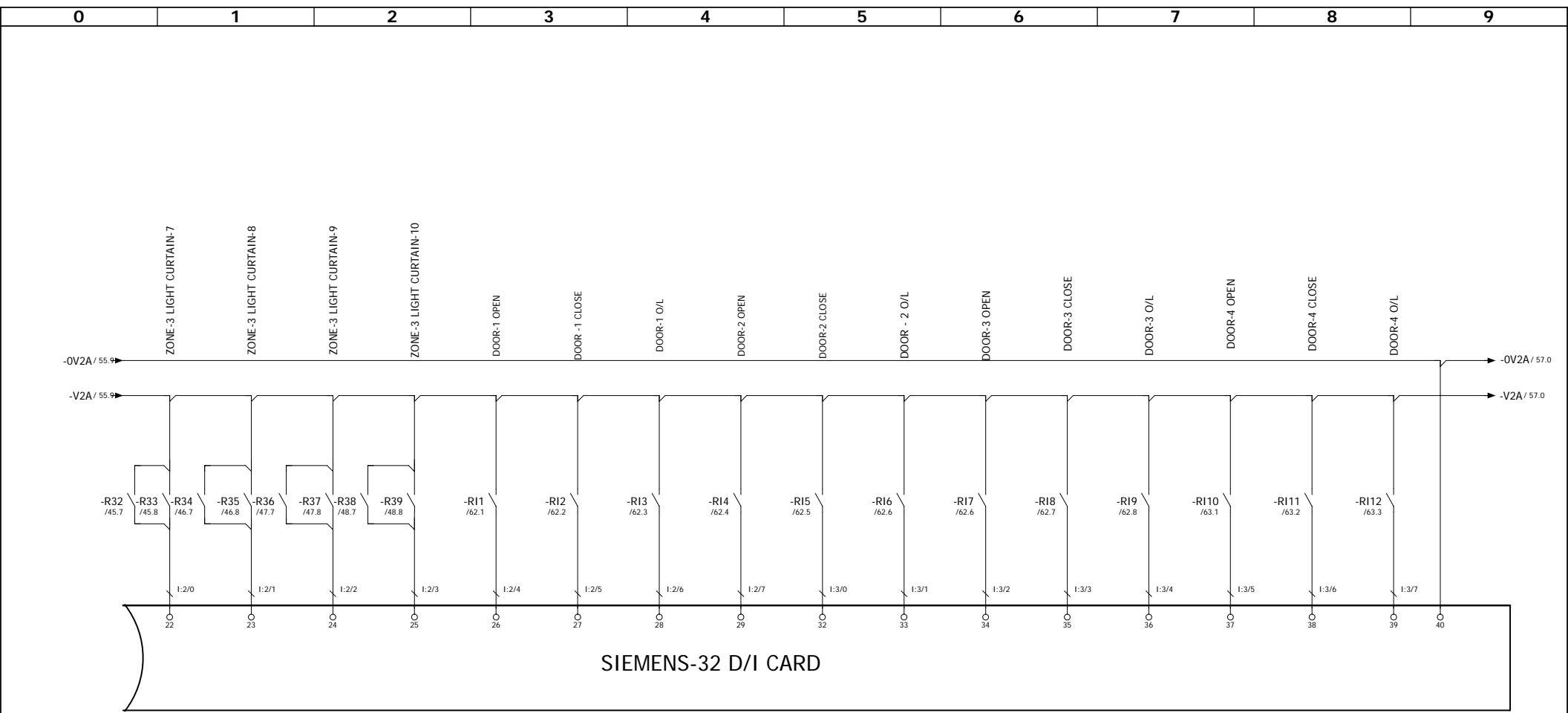
CYBERNETIK TECHNOLOGIES  
PVT.LTD, PUNE

Date	Name
	SHITAL

PROJECT DESCRIPTION	TITLE
HA-382 VOLVO FRANCE	PLC I/P -1

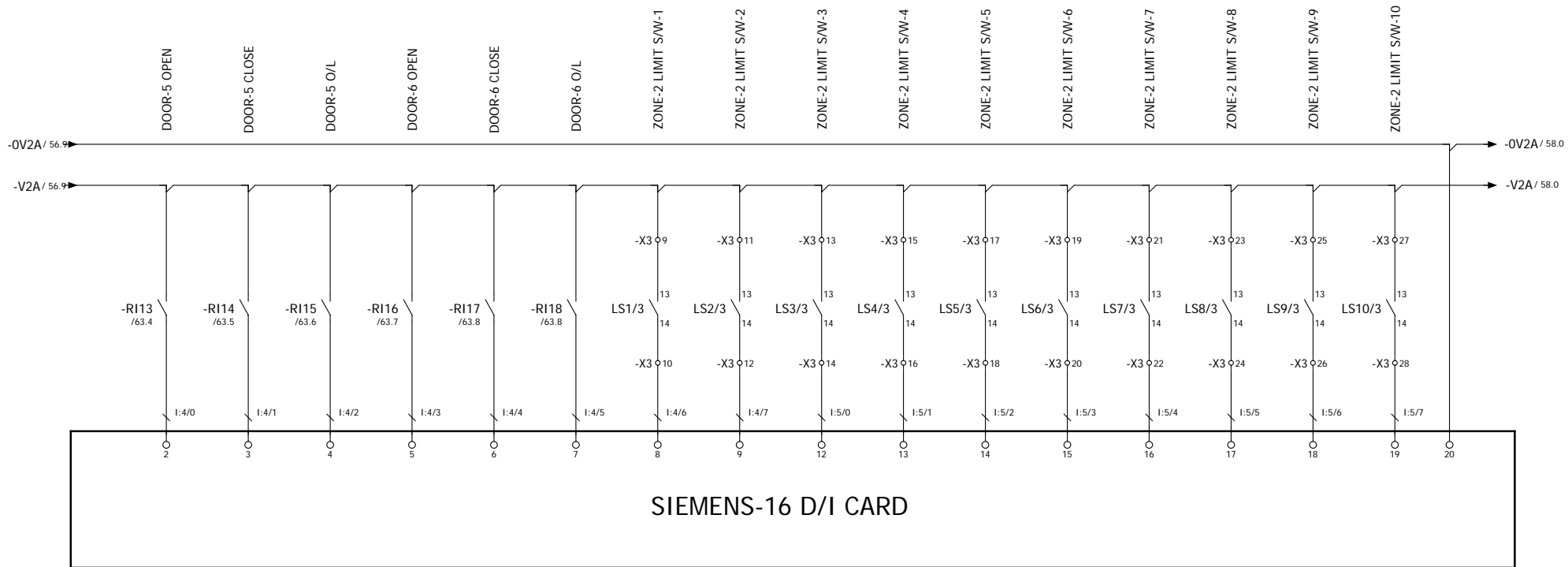
PROJECT CODE :-	HA-382
DRAWING NUMBER :-	

Page	55
Pages	170



DOCUMENT ID : CY/DD/R/07  
 REV : 00

	DRAWN CHECKED APPROVED	Date Name SHITAL	PROJECT DESCRIPTION HA-382 VOLVO FRANCE	TITLE PLC I/P CKT-2	PROJECT CODE :- HA-382	DRAWING NUMBER :-	Page 56 Pages 170
--	------------------------------	------------------------	--	------------------------	---------------------------	-------------------	----------------------



DOCUMENT ID : CY/DD/R/07  
REV : 00

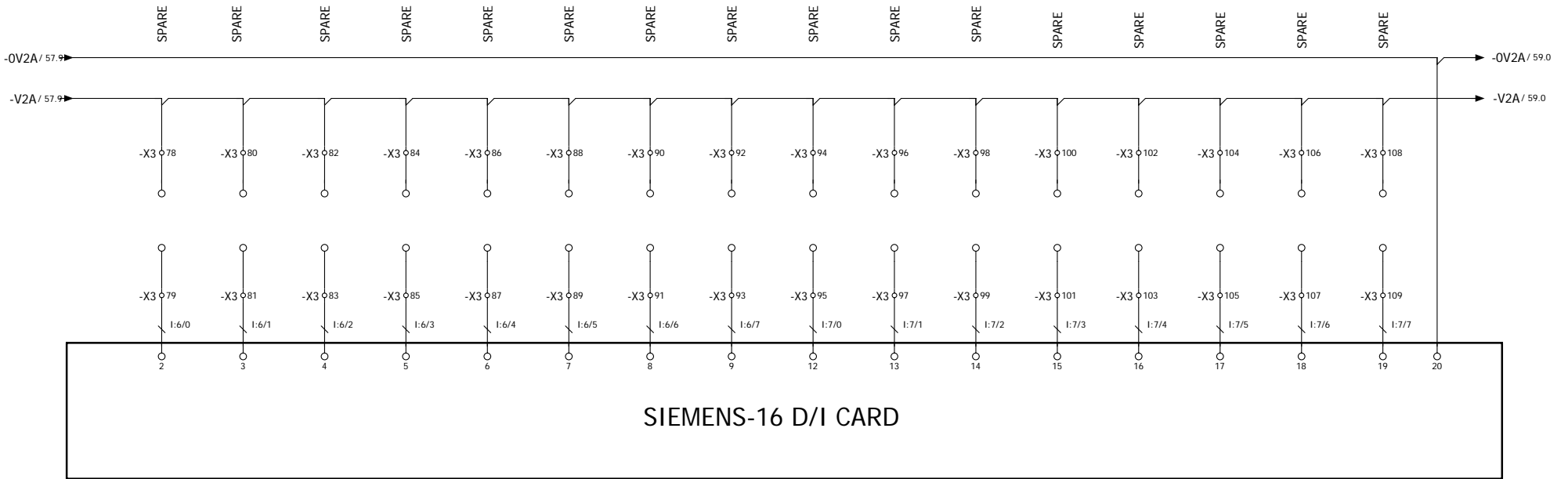
**CYBERNETIK TECHNOLOGIES PVT.LTD, PUNE**

Drawn	Date	Name
CHECKED		SHITAL
APPROVED		

PROJECT DESCRIPTION  
HA-382 VOLVO FRANCE

TITLE  
PLC I/P CKT-3

PROJECT CODE :- **HA-382**  
DRAWING NUMBER :-



DOCUMENT ID : CY/DD/R/07  
 REV : 00

**CYBERNETIK TECHNOLOGIES**  
 PVT.LTD, PUNE

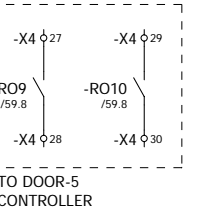
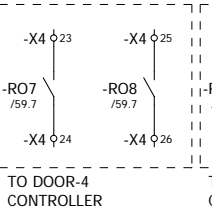
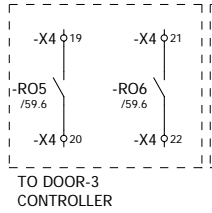
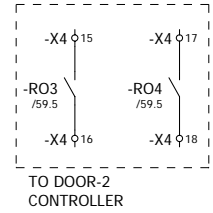
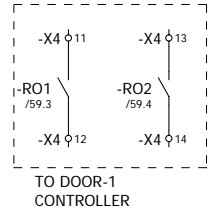
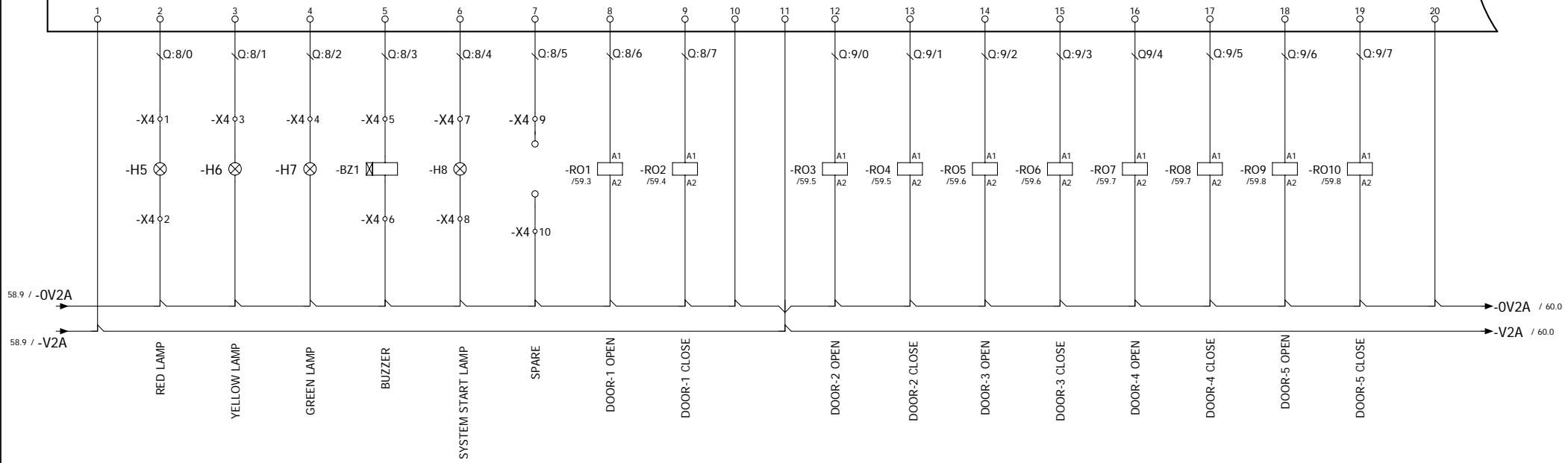
Date	Name
	SHITAL
DRAWN	
CHECKED	
APPROVED	

PROJECT DESCRIPTION  
 HA-382 VOLVO FRANCE

TITLE  
 PLC I/P CKT-4

PROJECT CODE :-	<b>HA-382</b>
DRAWING NUMBER :-	Page 58 Pages 170

### SIEMENS-32 D/O CARD



DOCUMENT ID : CY/DD/R/07

REV : 00

CYBERNETIK TECHNOLOGIES PVT.LTD, PUNE

Drawn	Date	Name
Checked		SHITAL
Approved		

PROJECT DESCRIPTION  
HA-382 VOLVO FRANCE

TITLE  
PLC O/P CKT-1

PROJECT CODE :-	<b>HA-382</b>
DRAWING NUMBER :-	
Page	59
Pages	170

0

1

2

3

4

5

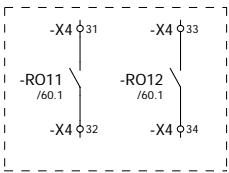
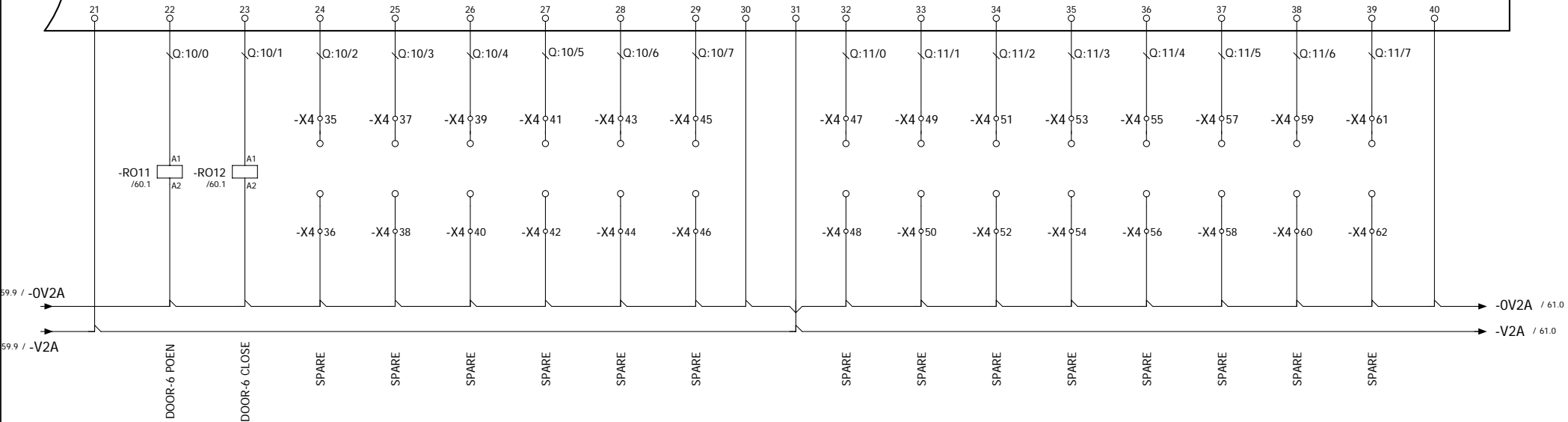
6

7

8

9

### SIEMENS-32 D/O CARD



TO DOOR-6 CONTROLLER

DOCUMENT ID : CY/DD/R/07  
REV : 00



CYBERNETIK TECHNOLOGIES  
PVT.LTD, PUNE

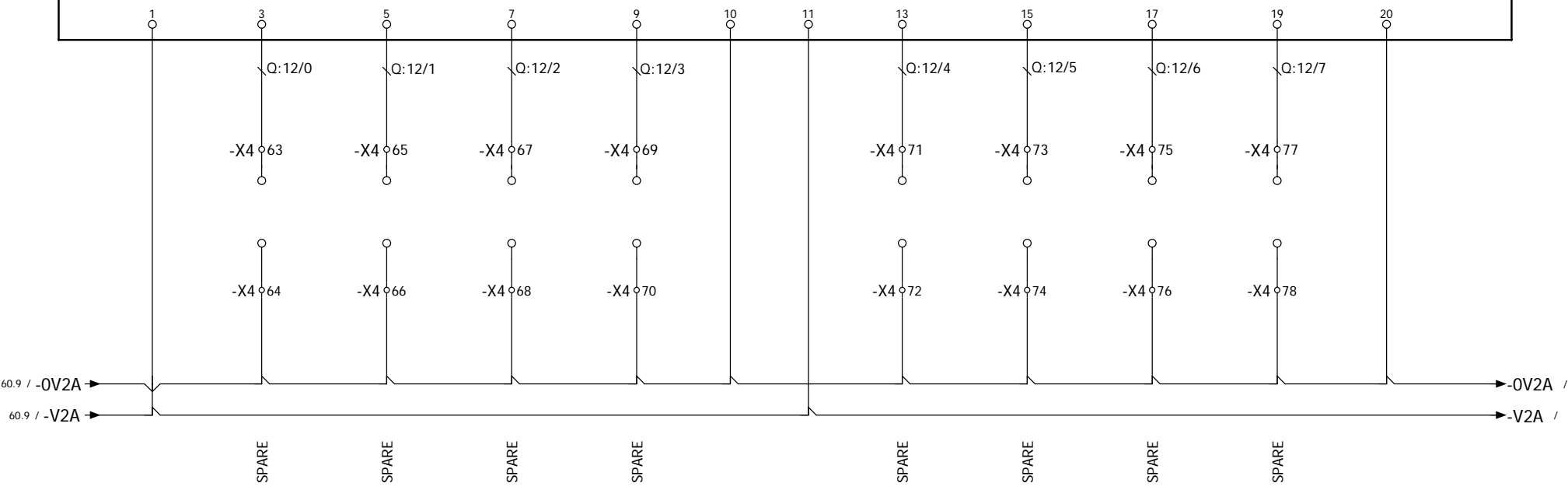
DRAWN	Date	Name
CHECKED		SHITAL
APPROVED		

PROJECT DESCRIPTION  
HA-382 VOLVO FRANCE

TITLE  
PLC O/P CKT-2

PROJECT CODE :-	<b>HA-382</b>
DRAWING NUMBER :-	
Page	60
Pages	170

SIEMENS-8 D/O CARD



DOCUMENT ID : CY/DD/R/07  
REV : 00

CYBERNETIK TECHNOLOGIES  
PVT.LTD, PUNE

DATE	NAME
CHECKED	SHITAL
APPROVED	

PROJECT DESCRIPTION  
HA-382 VOLVO FRANCE

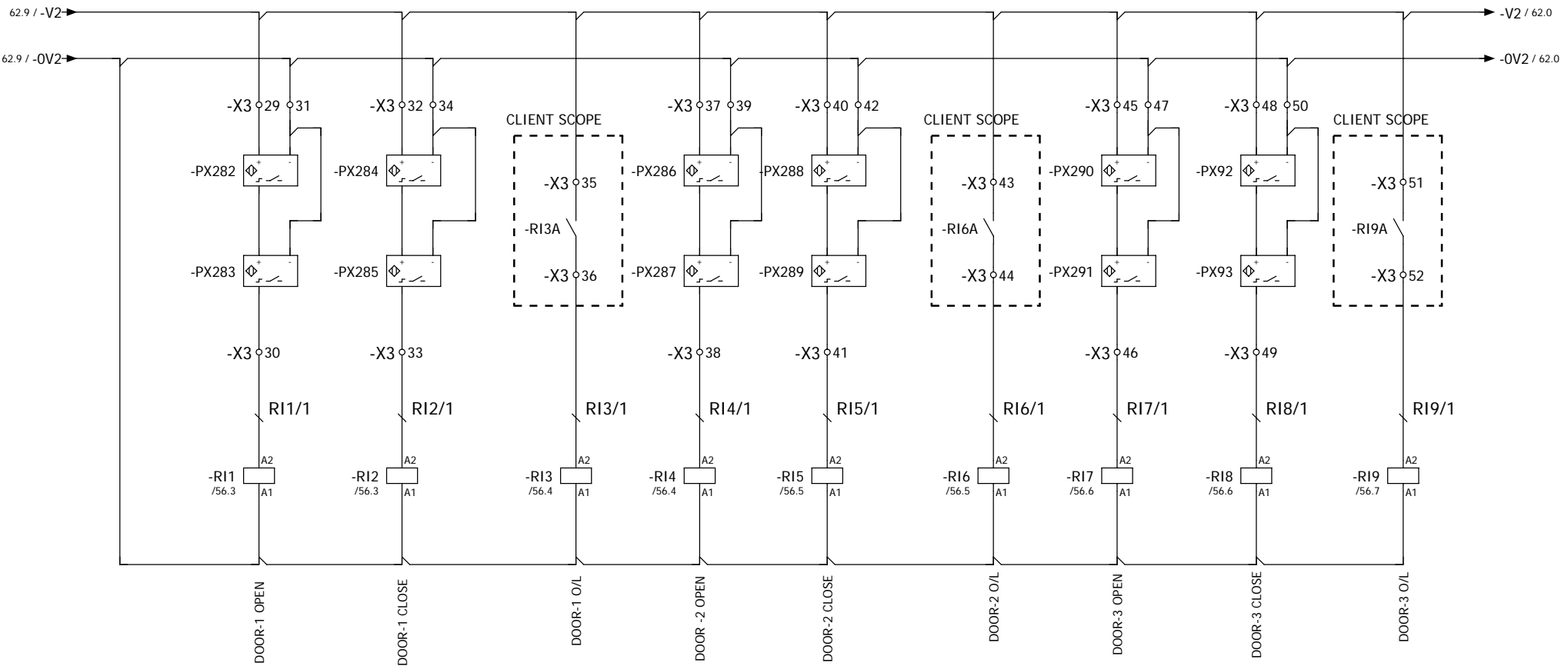
TITLE  
PLC O/P CKT-3

PROJECT CODE:-	HA-382
DRAWING NUMBER :-	Page 61 Pages 170

FROM DOOR-1  
CONTROLLER

FROM DOOR-2  
CONTROLLER

FROM DOOR-3  
CONTROLLER



DOCUMENT ID : CY/DD/R/07  
REV : 00



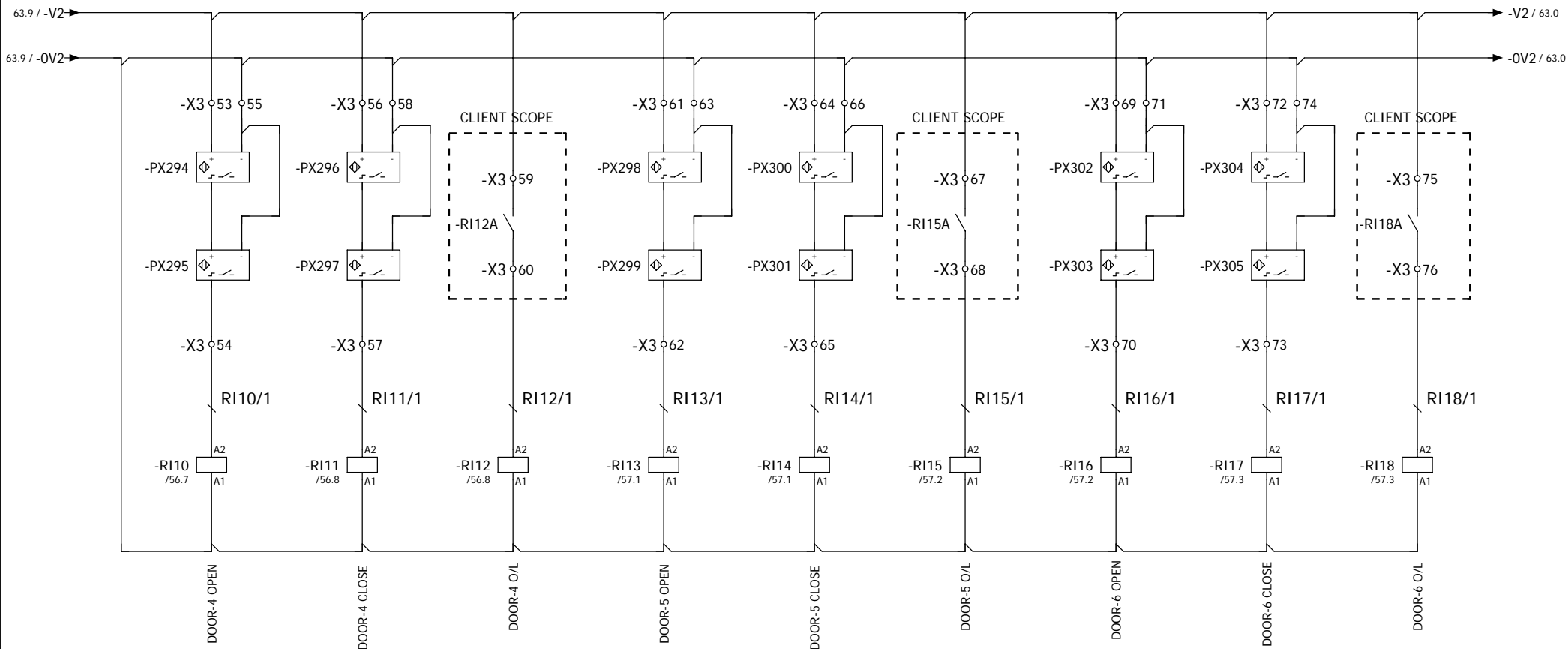
CYBERNETIK TECHNOLOGIES  
PVT.LTD, PUNE

<table border="1"> <tr> <td>DATE</td> <td></td> <td>NAME</td> <td></td> </tr> <tr> <td>DRAWN</td> <td></td> <td>SHITAL</td> <td></td> </tr> <tr> <td>CHECKED</td> <td></td> <td></td> <td></td> </tr> <tr> <td>APPROVED</td> <td></td> <td></td> <td></td> </tr> </table>	DATE		NAME		DRAWN		SHITAL		CHECKED				APPROVED				PROJECT DESCRIPTION HA-382 VOLVO FRANCE	TITLE I/P REED SWITCH CKT	PROJECT CODE :- HA-382	DRAWING NUMBER :-	Page 62 Pages 170
DATE		NAME																			
DRAWN		SHITAL																			
CHECKED																					
APPROVED																					

FROM DOOR-4  
CONTROLLER

FROM DOOR-5  
CONTROLLER

FROM DOOR-6  
CONTROLLER



DOCUMENT ID : CY/DD/R/07  
REV : 00



CYBERNETIK TECHNOLOGIES  
PVT.LTD, PUNE

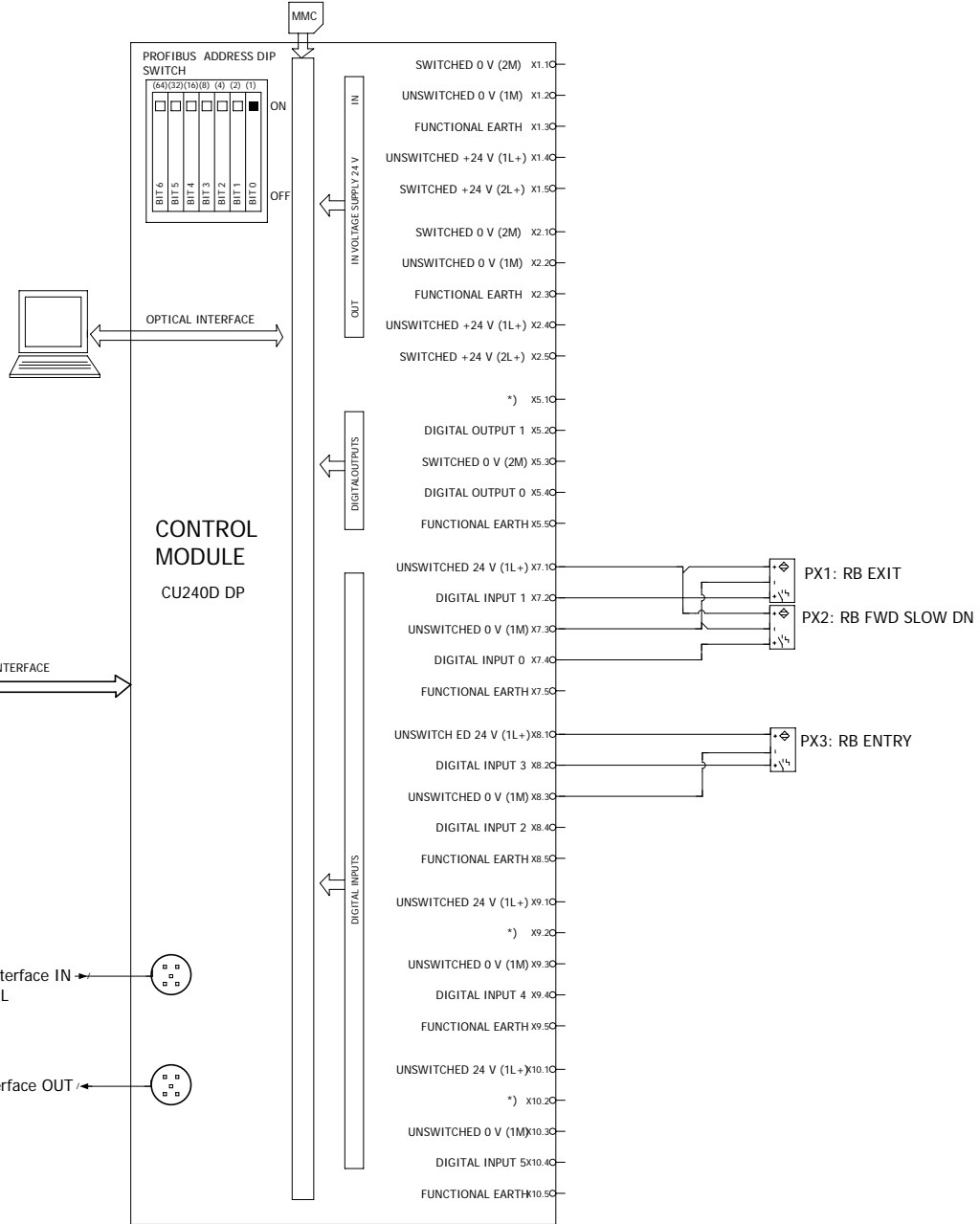
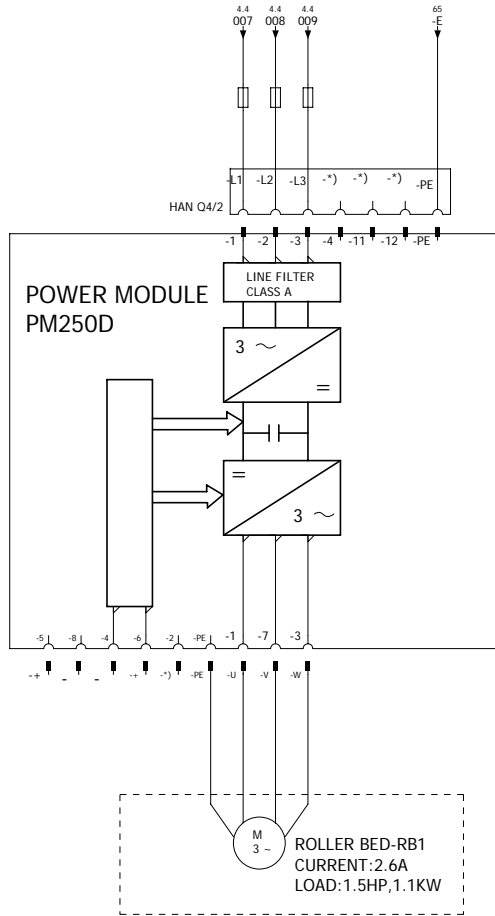
Drawn	Date	Name
Checked		SHITAL
Approved		

PROJECT DESCRIPTION  
HA-382 VOLVO FRANCE

TITLE  
I/P REED SWITCH CKT-2

PROJECT CODE:-	<b>HA-382</b>
DRAWING NUMBER :-	
Page	63
Pages	170

**NODE-1 RB01**  
ROLLER BED DRIVE



PROFIBUS DP interface IN FROM PLC PANEL

PROFIBUS DP interface OUT TO NODE-2

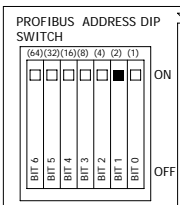
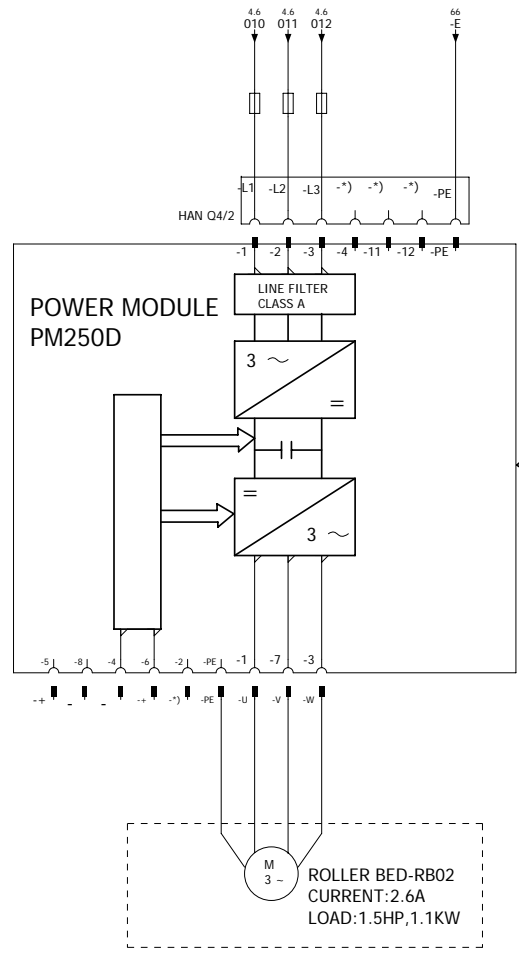
DOCUMENT ID : CY/DD/R/07  
REV : 00

Drawn	Date	Name
Checked		SHITAL
Approved		

PROJECT DESCRIPTION	TITLE
HA-382 VOLVO FRANCE	NODE-1

PROJECT CODE :-	HA-382
DRAWING NUMBER :-	

**NODE-2 RB02  
ROLLER BED DRIVE**



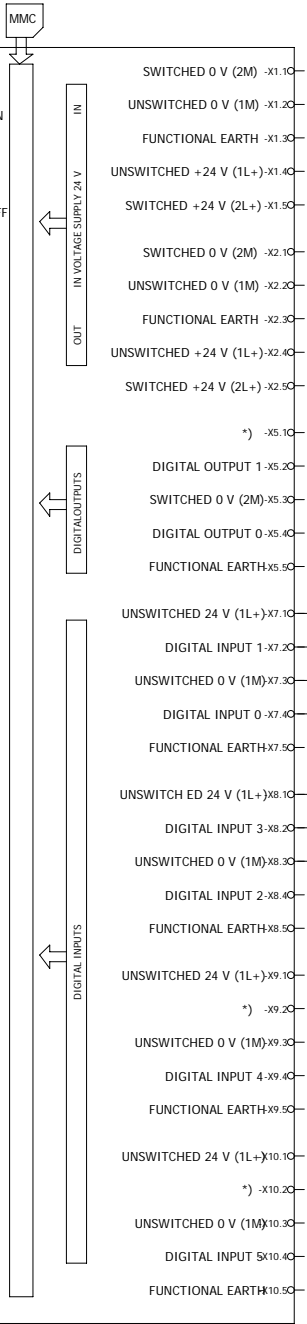
OPTICAL INTERFACE

**CONTROL  
MODULE  
CU240D DP**

PM-IF INTERFACE

PROFIBUS DP interface IN  
FROM NODE-1

PROFIBUS DP interface OUT  
TO NODE-3



DOCUMENT ID : CY/DD/R/07  
REV : 00

**CYBERNETIK TECHNOLOGIES  
PVT.LTD, PUNE**

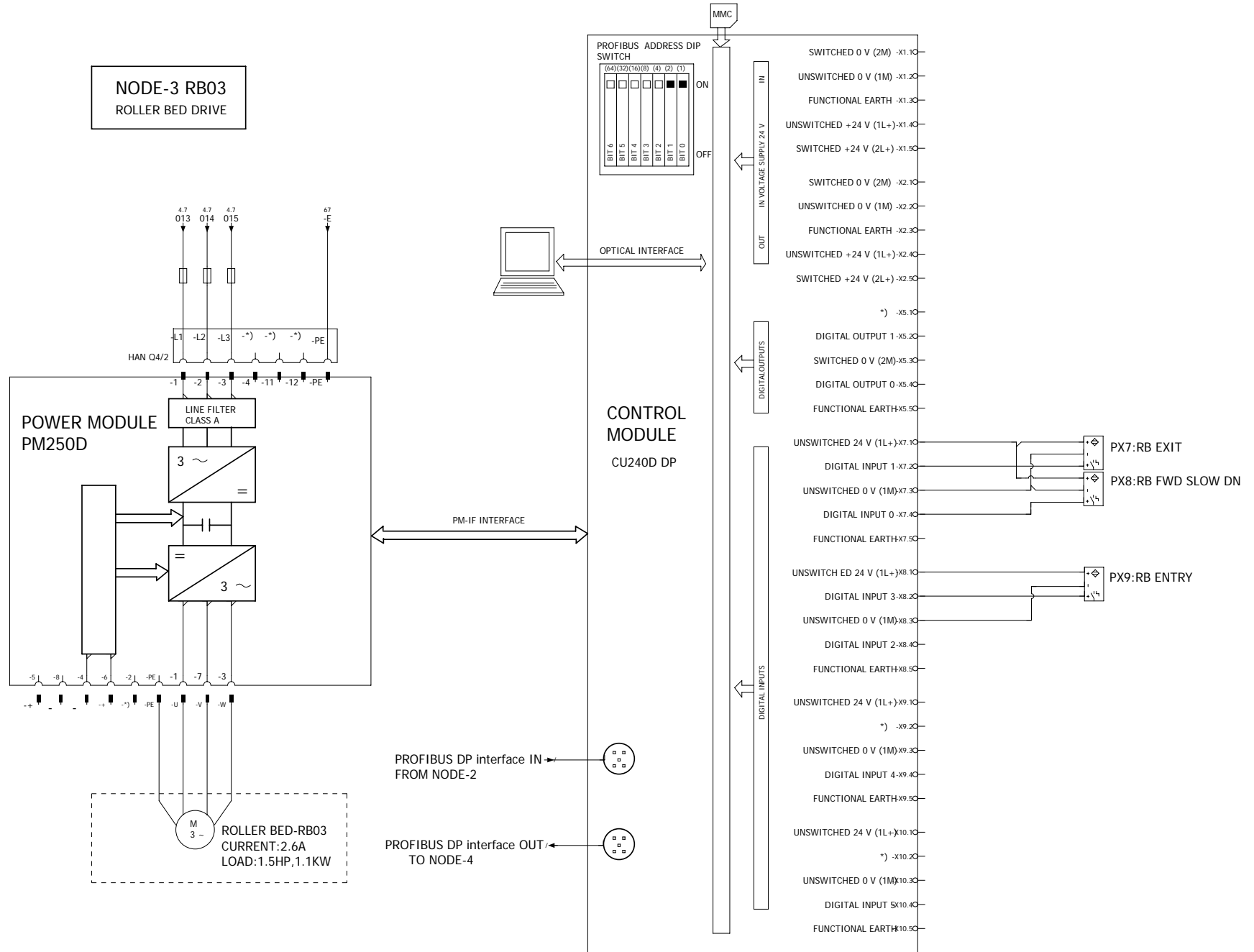
Drawn	Date	Name
Checked		SHITAL
Approved		

**PROJECT DESCRIPTION**  
HA-382 VOLVO FRANCE

**TITLE**  
NODE-2

**PROJECT CODE:- HA-382**  
DRAWING NUMBER :-  
Page 65  
Pages 170

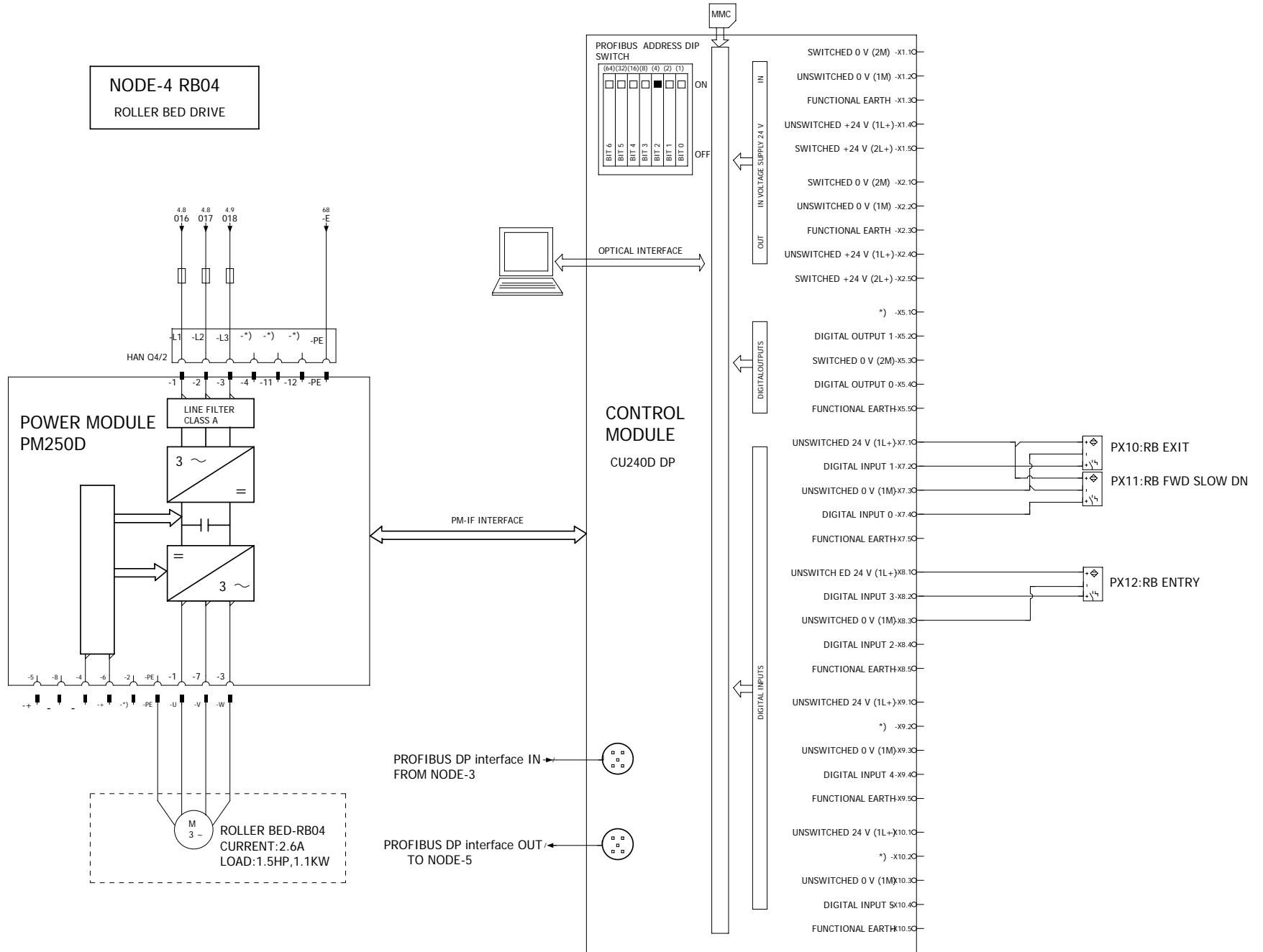
**NODE-3 RB03**  
ROLLER BED DRIVE



DOCUMENT ID : CY/DD/R/07  
REV : 00

	Date Name SHITAL	PROJECT DESCRIPTION HA-382 VOLVO FRANCE	TITLE NODE-3	PROJECT CODE :- HA-382
	DRAWN CHECKED APPROVED	APPROVED	DRAWING NUMBER :-	Page 66 Pages 170
	CYBERNETIK TECHNOLOGIES PVT.LTD, PUNE			

**NODE-4 RB04**  
ROLLER BED DRIVE



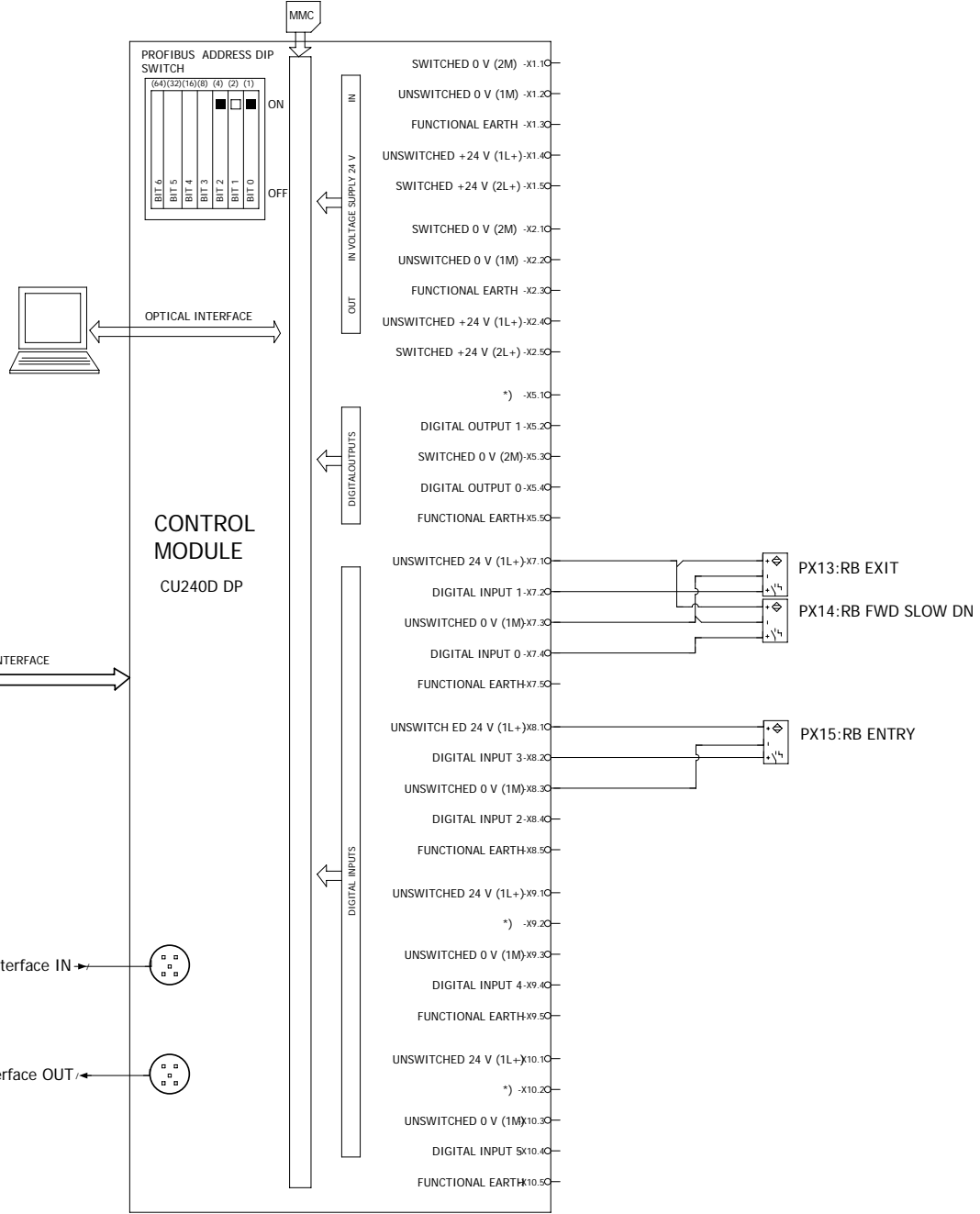
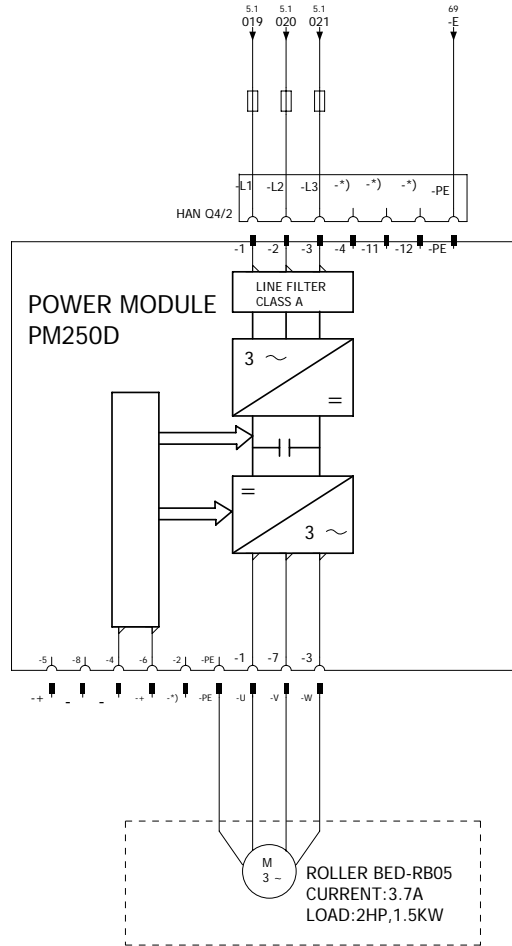
DOCUMENT ID : CY/DD/R/07  
REV : 00

Drawn	Date	Name
Checked		SHITAL
Approved		

PROJECT DESCRIPTION	TITLE
HA-382 VOLVO FRANCE	NODE-4

PROJECT CODE :-	HA-382
DRAWING NUMBER :-	

**NODE-5 RB05**  
ROLLER BED DRIVE



PROFIBUS DP interface IN FROM NODE-4

PROFIBUS DP interface OUT TO NODE-6

DOCUMENT ID : CY/DD/R/07

REV : 00

CYBERNETIK TECHNOLOGIES PVT.LTD, PUNE

DATE	NAME
	SHITAL
CHECKED	
APPROVED	

PROJECT DESCRIPTION  
HA-382 VOLVO FRANCE

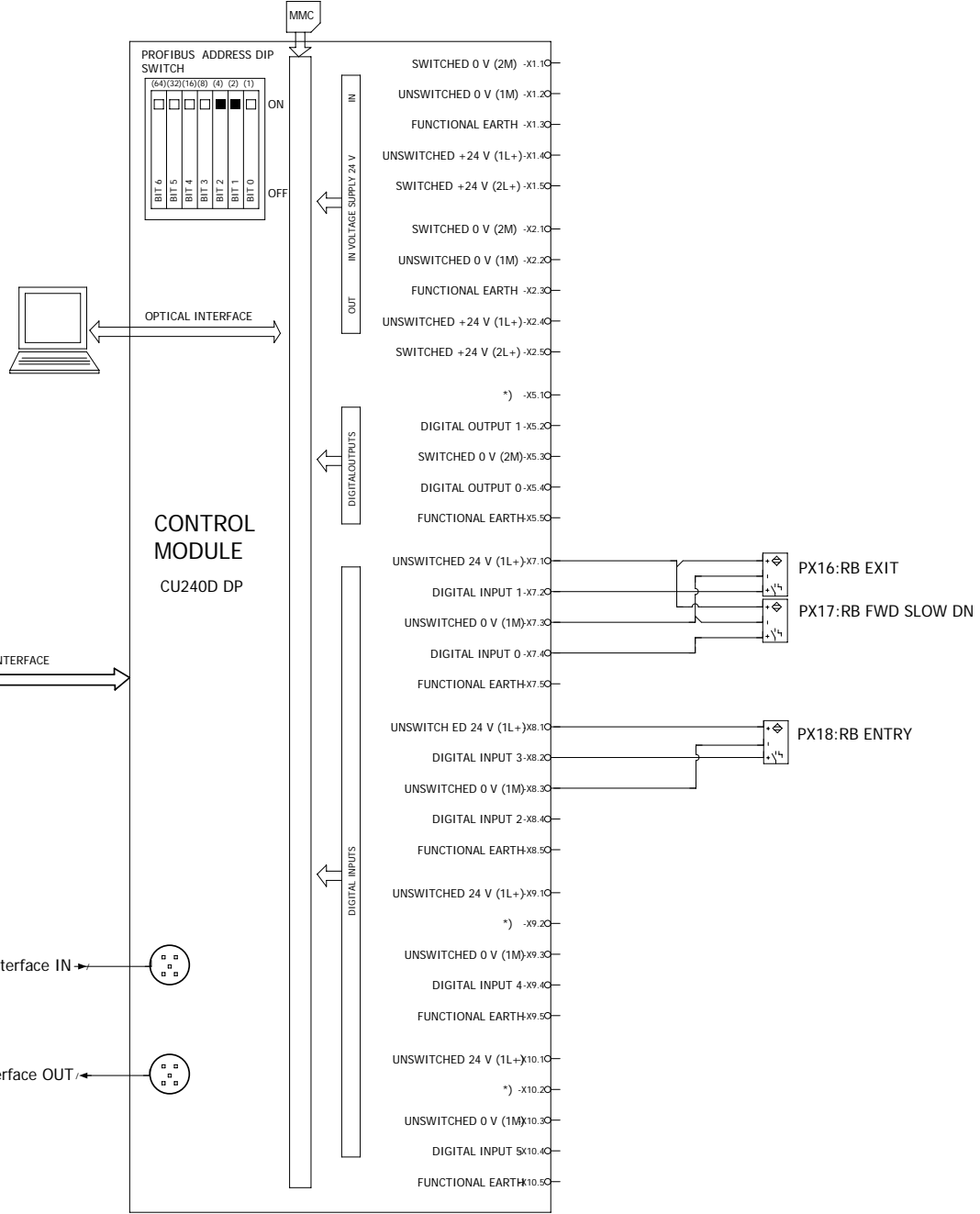
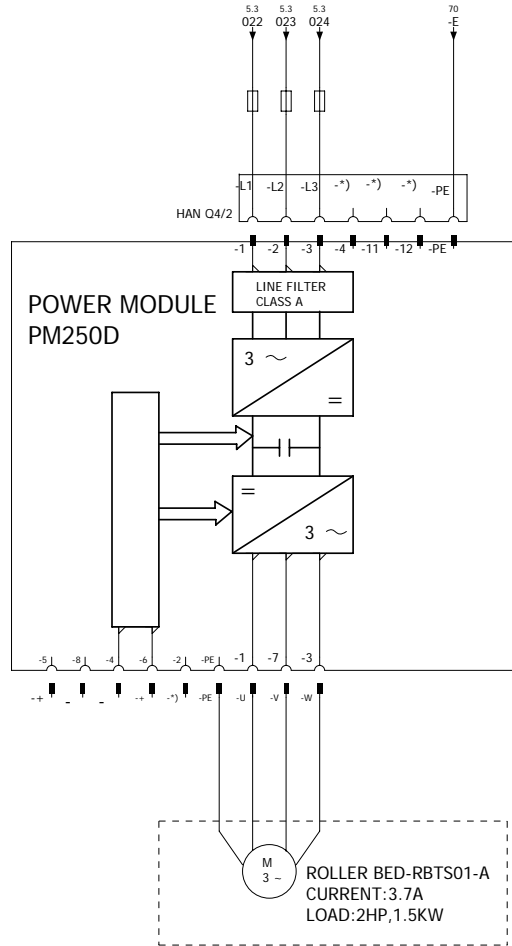
TITLE  
NODE-5

PROJECT CODE:- **HA-382**

DRAWING NUMBER :-

Page 68  
Pages 170

**NODE-6 RBTS01-A**  
ROLLER BED DRIVE



DOCUMENT ID : CY/DD/R/07  
REV : 00



CYBERNETIK TECHNOLOGIES  
PVT.LTD, PUNE

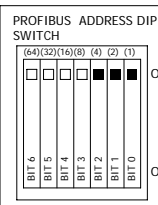
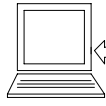
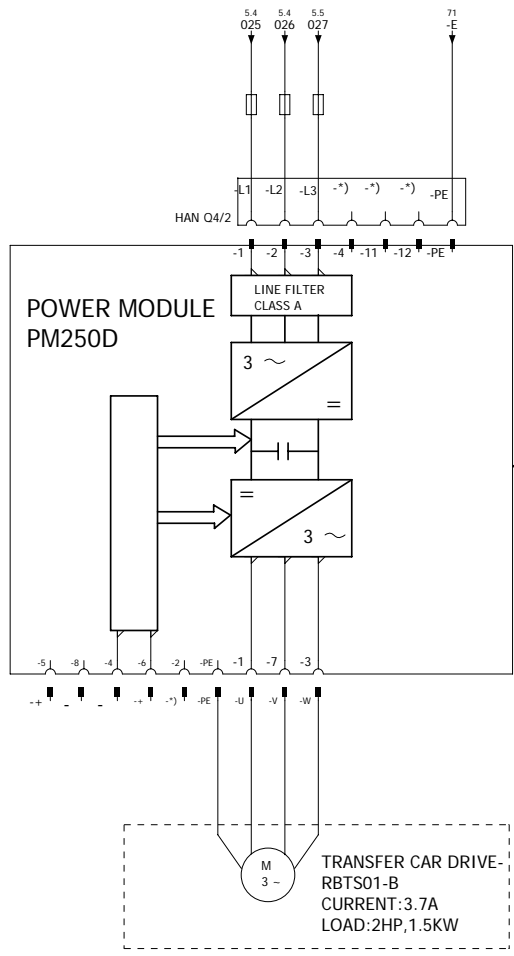
Drawn	Date	Name
Checked		SHITAL
Approved		

PROJECT DESCRIPTION	TITLE
HA-382 VOLVO FRANCE	NODE-6

PROJECT CODE :-	HA-382
DRAWING NUMBER :-	

Page	69
Pages	170

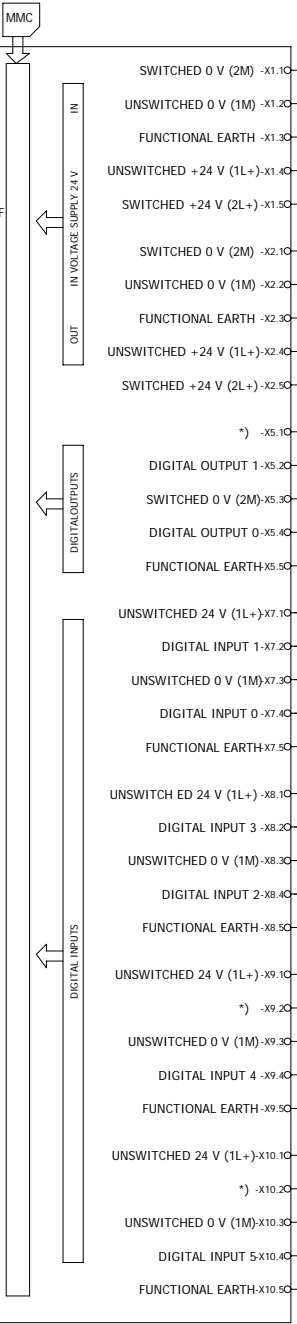
**NODE-7 RBTS01-B**  
TRANSFER CAR DRIVE



**CONTROL MODULE**  
CU240D DP

PM-IF INTERFACE

PROFIBUS DP interface IN FROM NODE-6  
PROFIBUS DP interface OUT TO NODE-8



DOCUMENT ID : CY/DD/R/07

REV : 00



CYBERNETIK TECHNOLOGIES  
PVT.LTD, PUNE

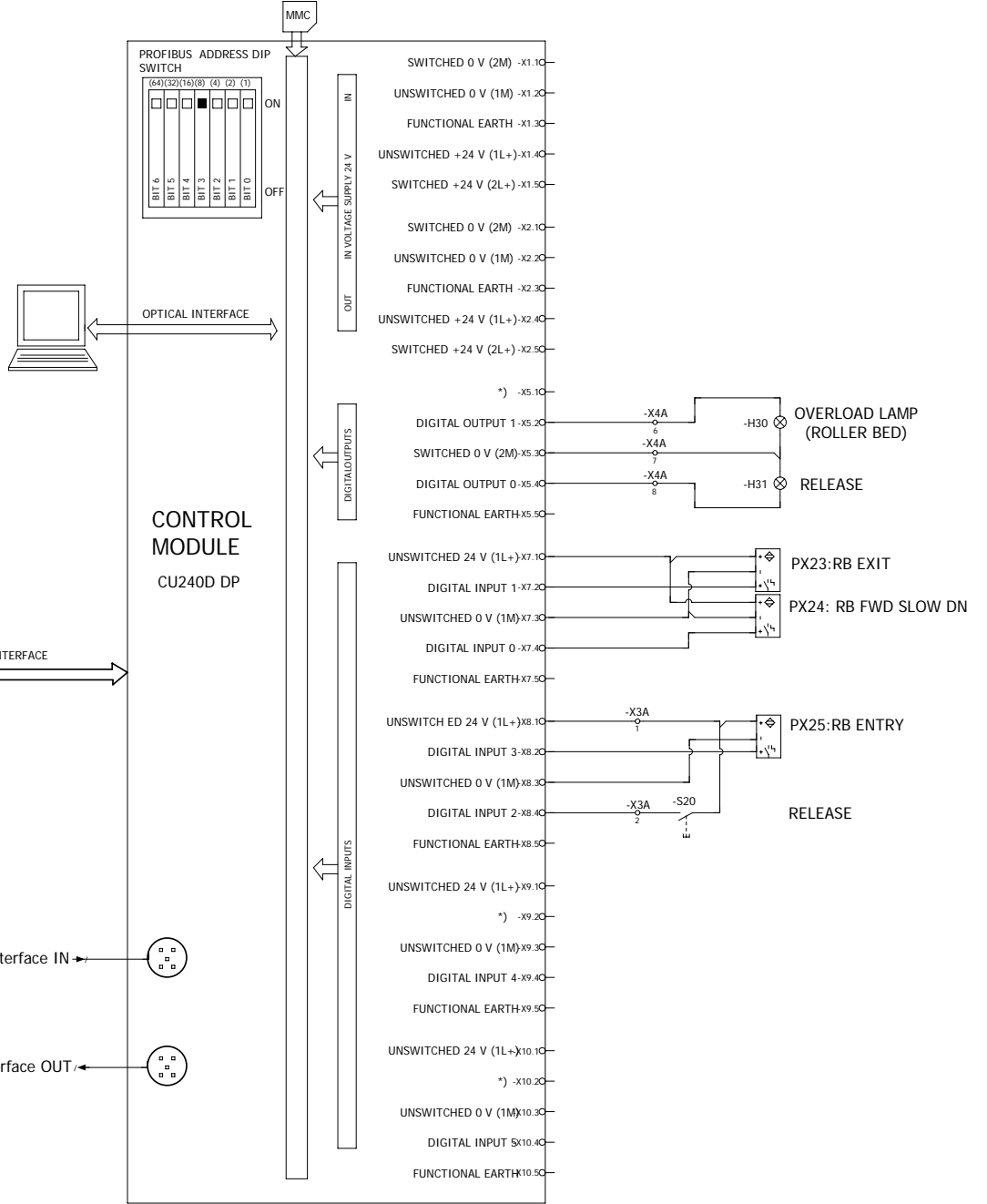
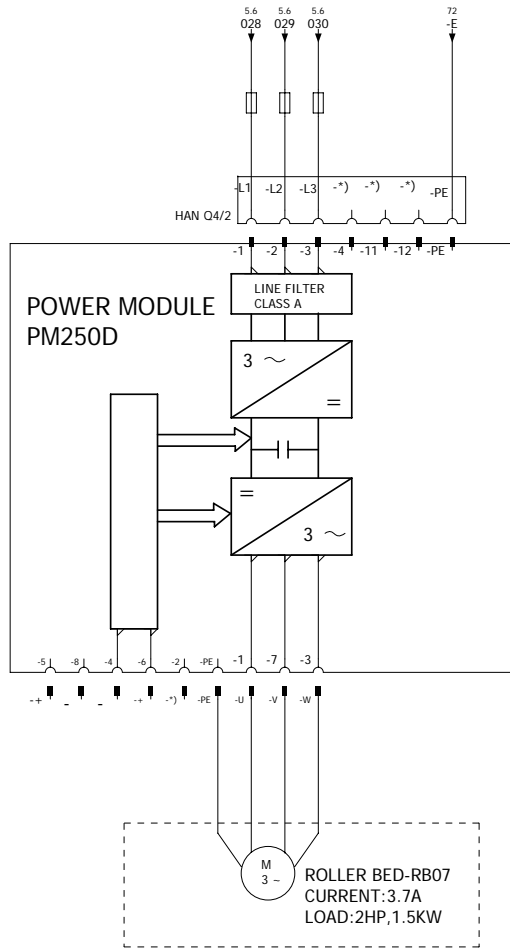
	Date	Name
DRAWN		SHITAL
CHECKED		
APPROVED		

PROJECT DESCRIPTION	TITLE
HA-382 VOLVO FRANCE	NODE-7

PROJECT CODE :-	DRAWING NUMBER :-
HA-382	

Page	Pages
70	170

**NODE-8 RB07**  
ROLLER BED DRIVE



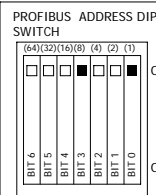
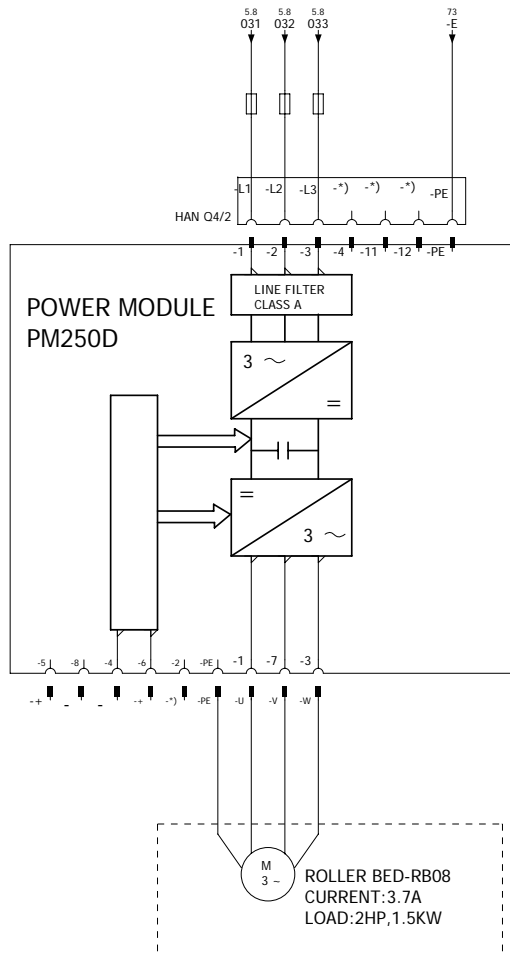
DOCUMENT ID : CY/DD/R/07  
REV : 00

DATE	NAME
	SHITAL
CHECKED	
APPROVED	

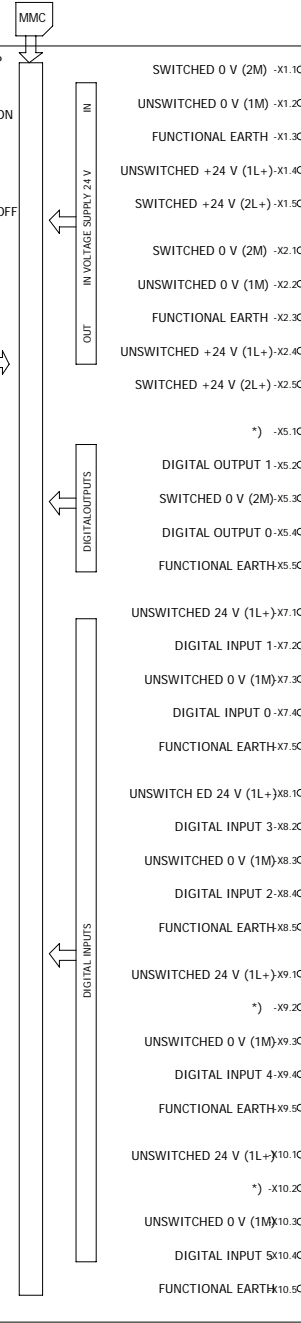
PROJECT DESCRIPTION	TITLE
HA-382 VOLVO FRANCE	NODE-8

PROJECT CODE :-	HA-382
DRAWING NUMBER :-	

**NODE-9 RB08**  
ROLLER BED DRIVE



**CONTROL MODULE**  
CU240D DP



PROFIBUS DP interface IN FROM NODE-8

PROFIBUS DP interface OUT TO NODE-10

DOCUMENT ID : CY/DD/R/07  
REV : 00



CYBERNETIK TECHNOLOGIES  
PVT.LTD, PUNE

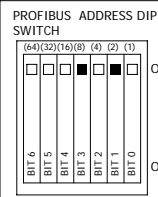
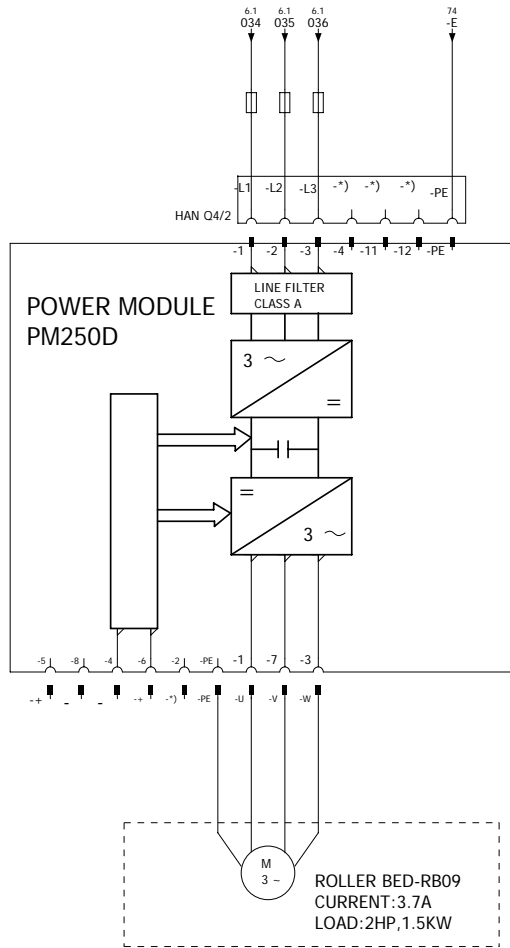
	Date	Name
DRAWN		SHITAL
CHECKED		
APPROVED		

PROJECT DESCRIPTION  
HA-382 VOLVO FRANCE

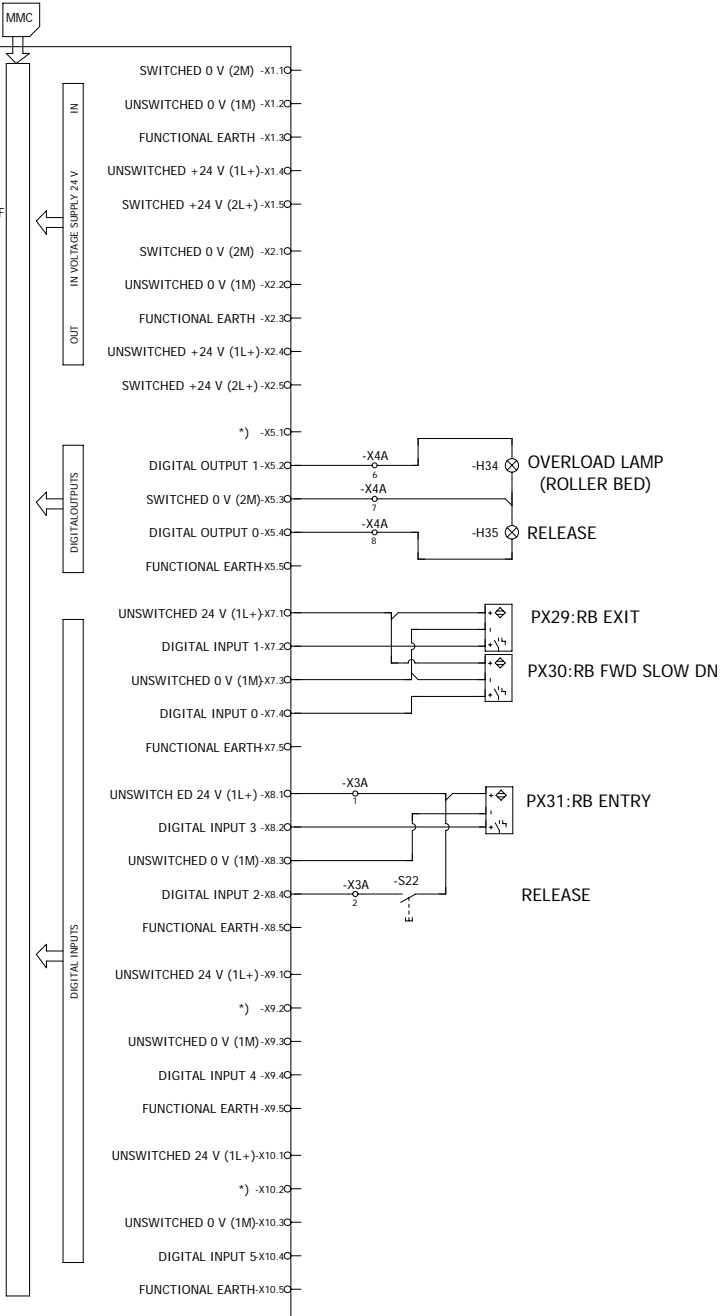
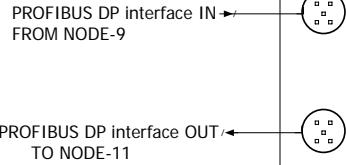
TITLE  
NODE-9

PROJECT CODE :- **HA-382**  
DRAWING NUMBER :-

**NODE-10 RB09**  
ROLLER BED DRIVE



**CONTROL MODULE**  
CU240D DP



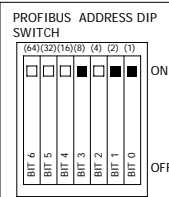
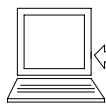
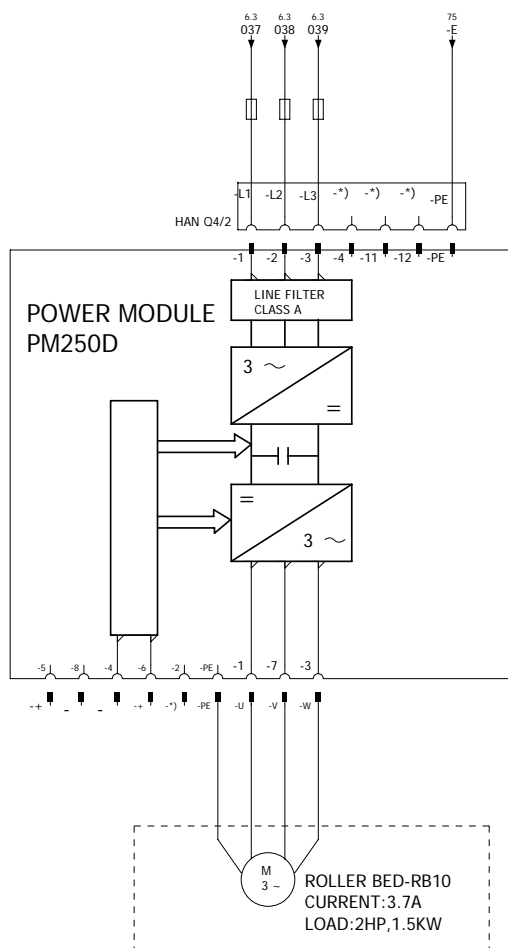
DOCUMENT ID : CY/DD/R/07  
REV : 00

Drawn	Date	Name
Checked		SHITAL
Approved		

PROJECT DESCRIPTION	TITLE
HA-382 VOLVO FRANCE	NODE-10

PROJECT CODE :-	HA-382
DRAWING NUMBER :-	

**NODE-11 RB10**  
ROLLER BED DRIVE

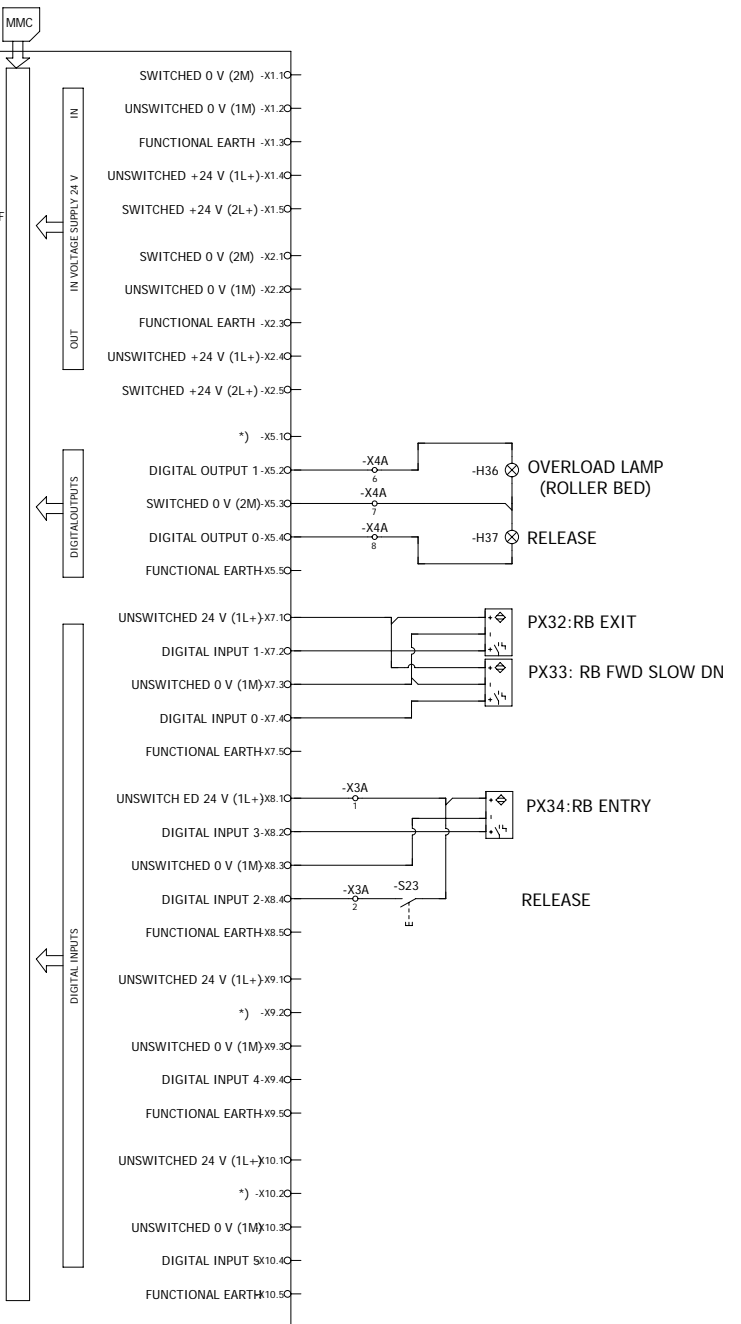


**CONTROL MODULE**  
CU240D DP

PM-IF INTERFACE

PROFIBUS DP interface IN FROM NODE-10

PROFIBUS DP interface OUT TO NODE-12



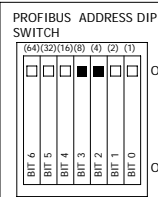
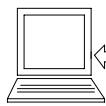
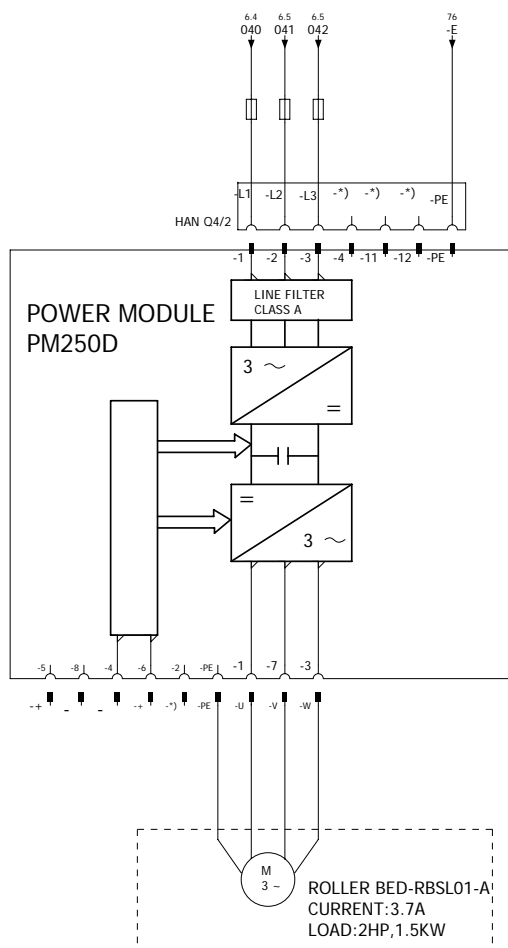
DOCUMENT ID : CY/DD/R/07  
REV : 00

Drawn	Date	Name
Checked		SHITAL
Approved		

PROJECT DESCRIPTION	TITLE
HA-382 VOLVO FRANCE	NODE-11

PROJECT CODE :-	HA-382
DRAWING NUMBER :-	

**NODE-12 RBSL01-A**  
ROLLER BED DRIVE

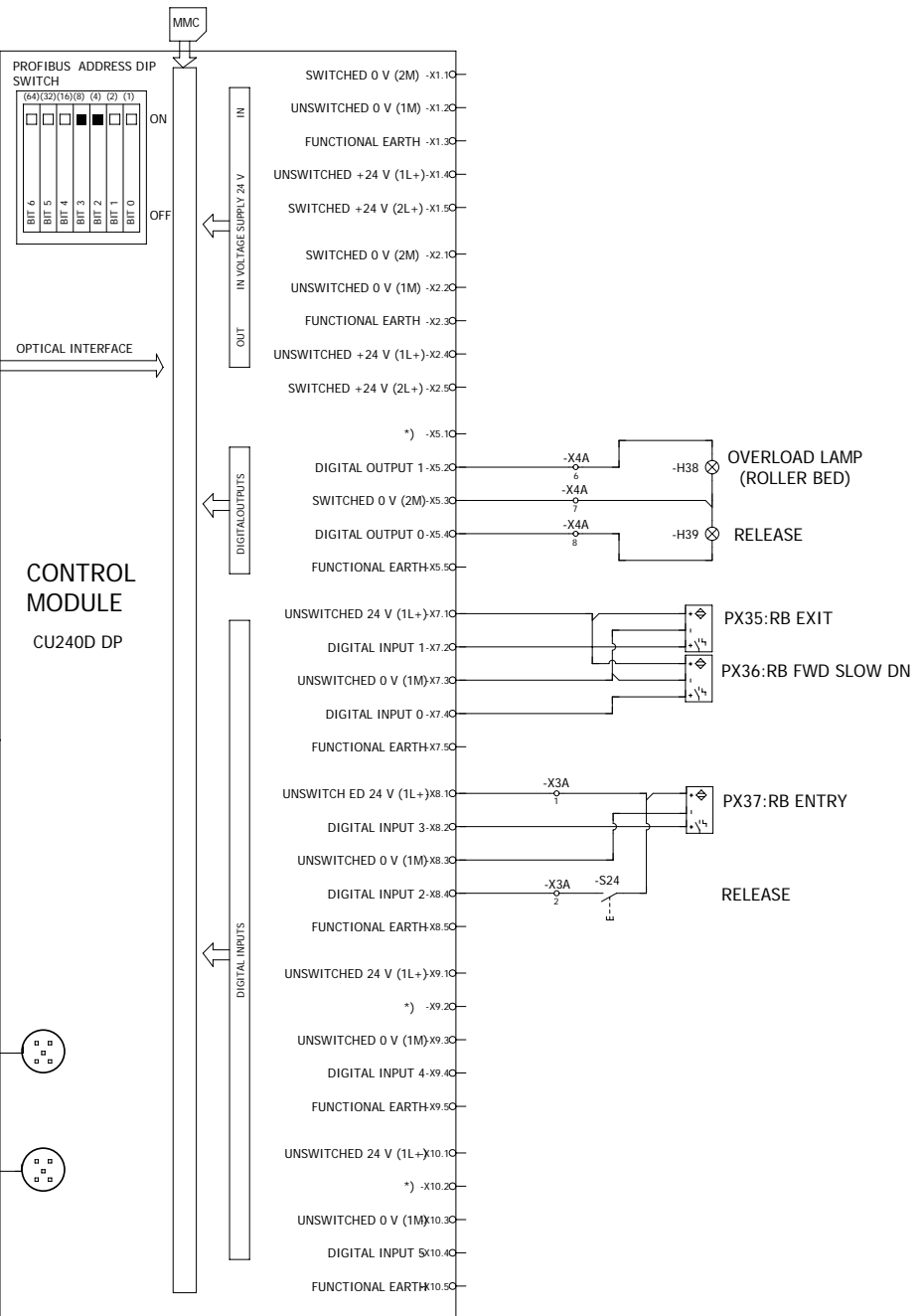


**CONTROL MODULE**  
CU240D DP

PM-IF INTERFACE

PROFIBUS DP interface IN FROM NODE-11

PROFIBUS DP interface OUT TO NODE-13



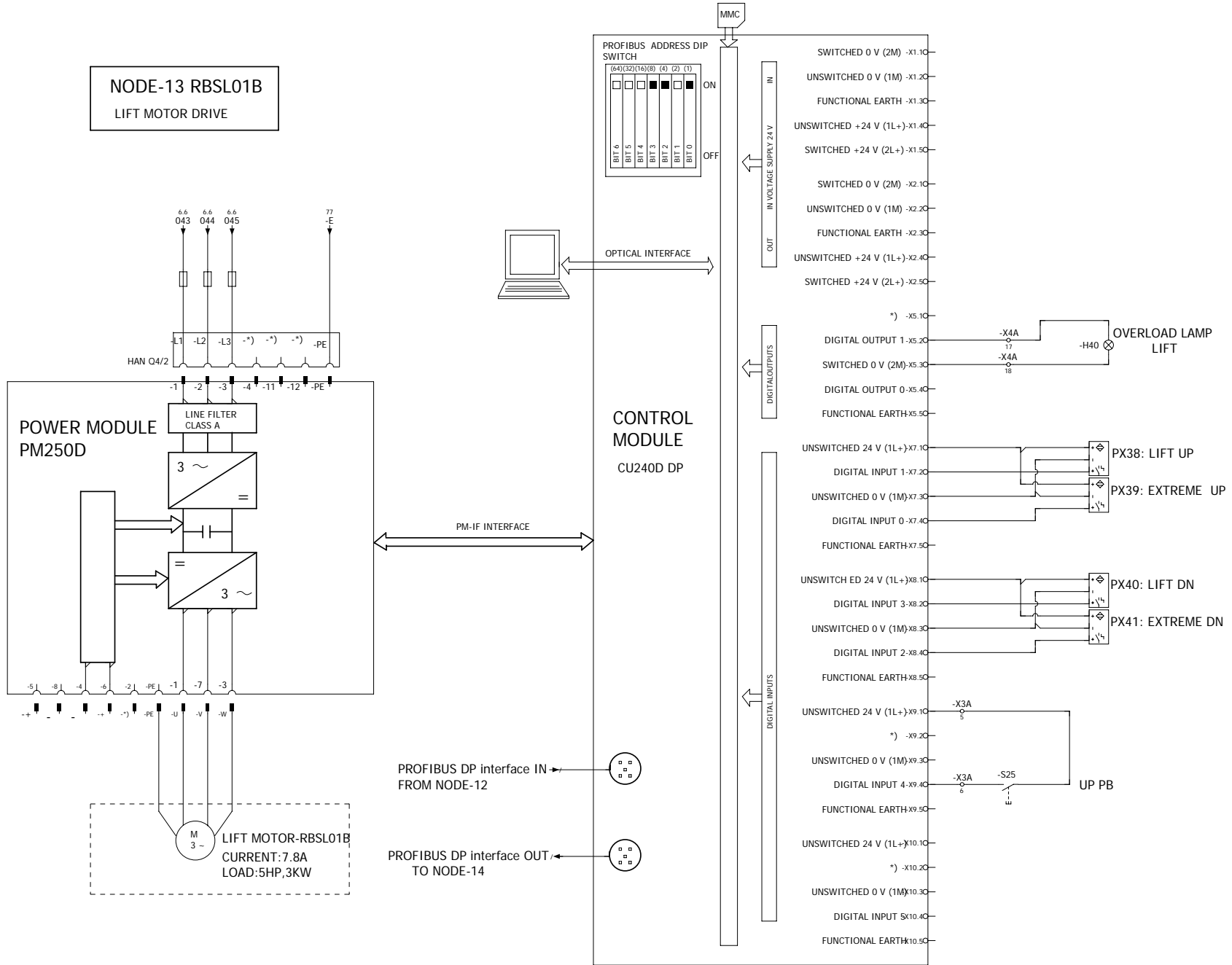
DOCUMENT ID : CY/DD/R/07  
REV : 00

Drawn	Date	Name
Checked		SHITAL
Approved		

<b>PROJECT DESCRIPTION</b>	<b>TITLE</b>
HA-382 VOLVO FRANCE	NODE-12

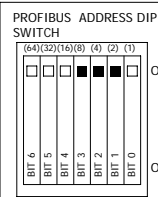
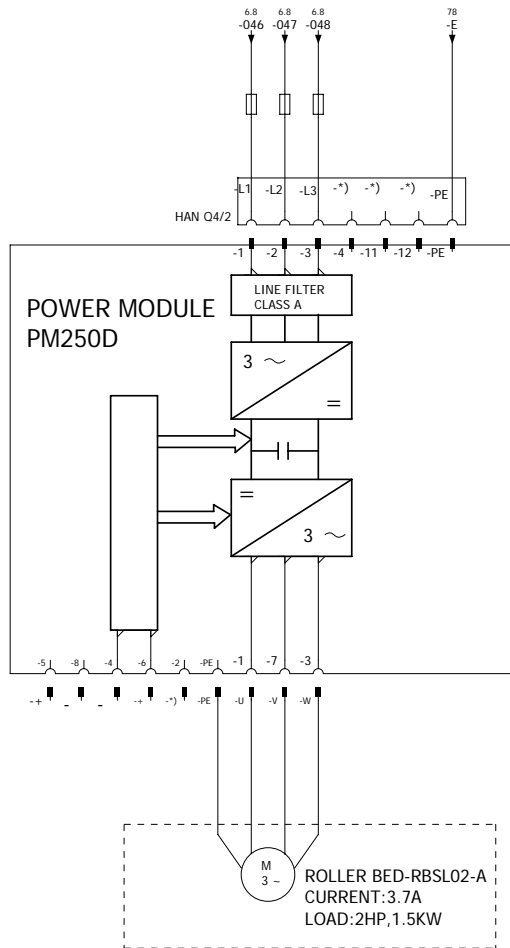
<b>PROJECT CODE :-</b>	<b>HA-382</b>
<b>DRAWING NUMBER :-</b>	

**NODE-13 RBSL01B**  
LIFT MOTOR DRIVE

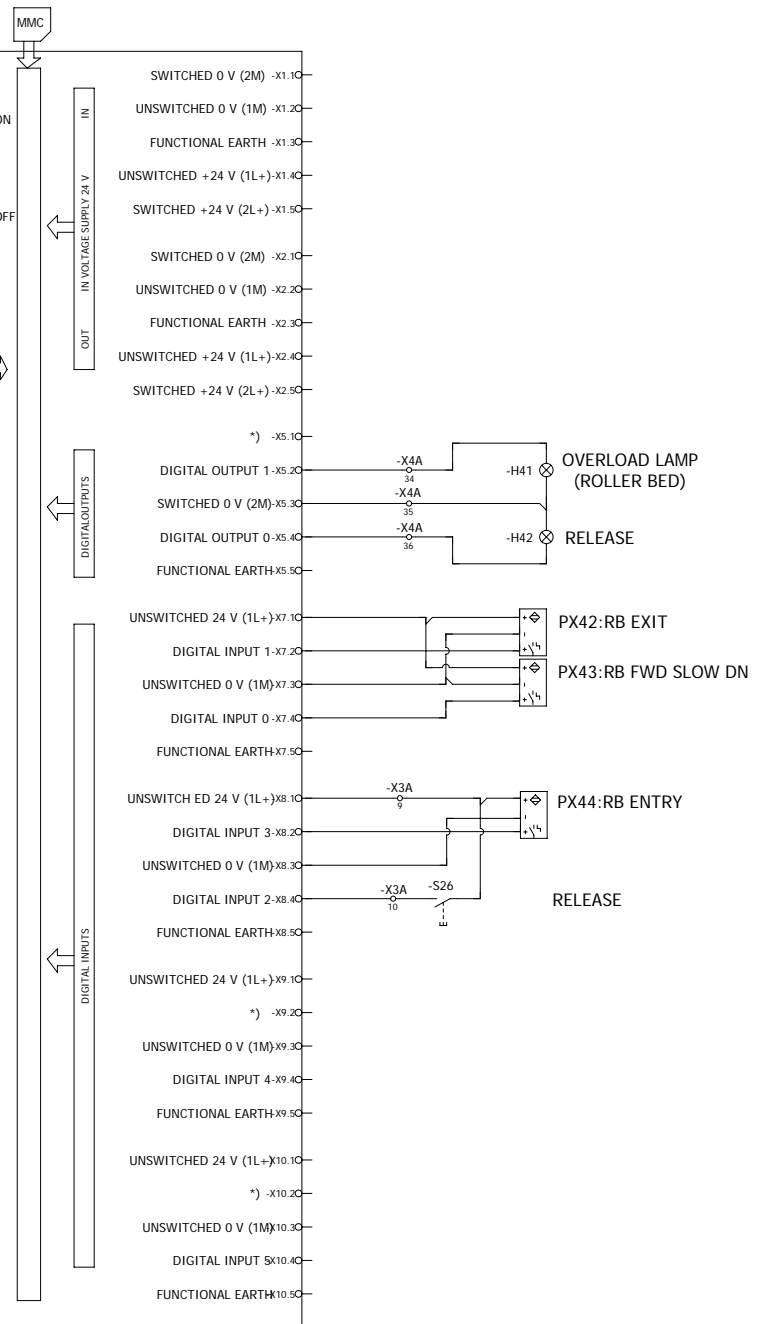
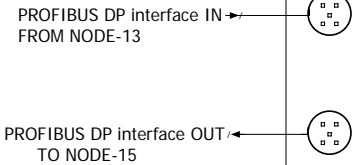


DOCUMENT ID : CY/DD/R/07  
REV : 00

**NODE-14 RBSL02-A**  
ROLLER BED DRIVE



**CONTROL MODULE**  
CU240D DP



DOCUMENT ID : CY/DD/R/07

REV : 00

**CYBERNETIK TECHNOLOGIES PVT.LTD, PUNE**

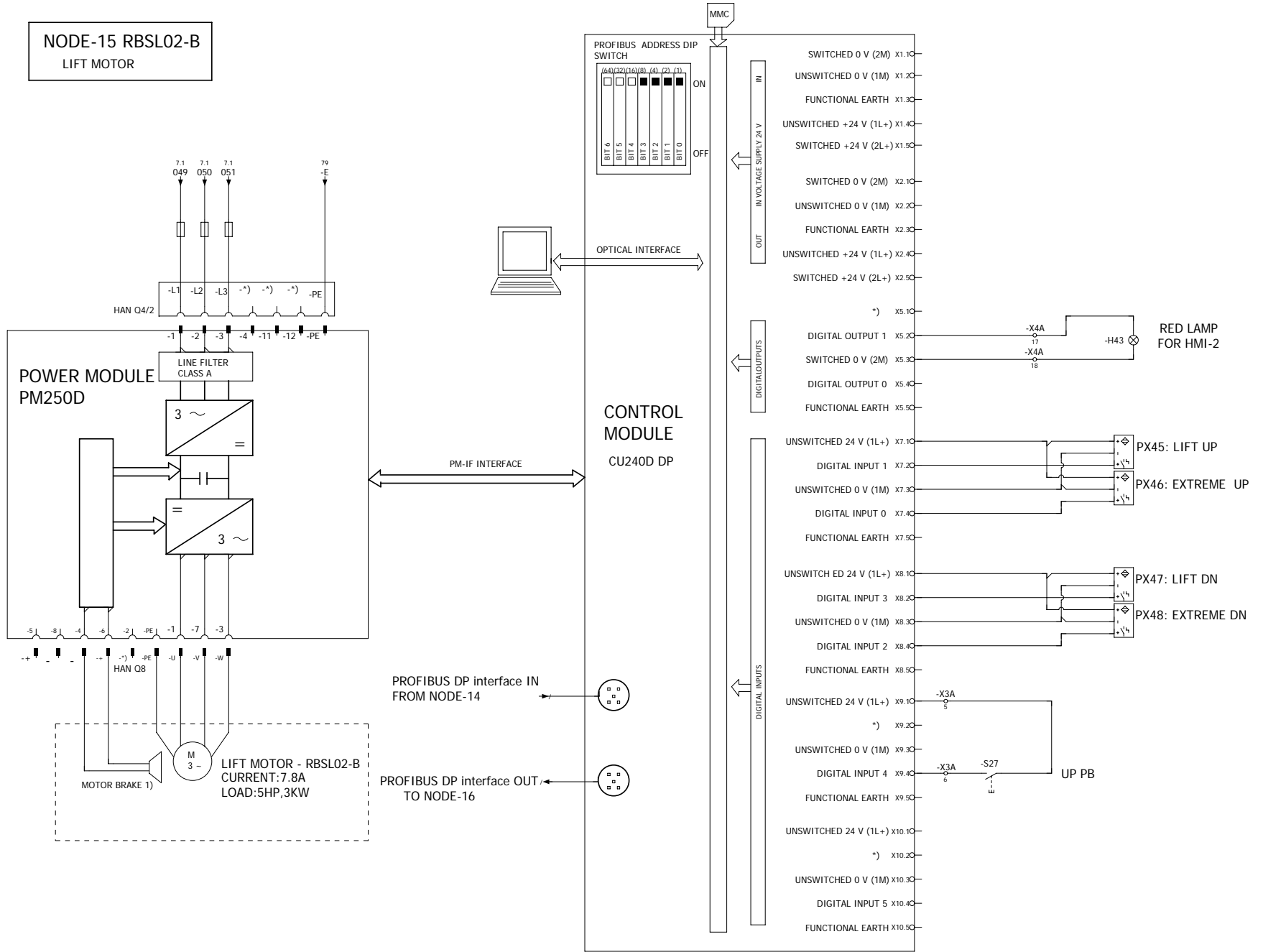
	Date	Name
DRAWN		SHITAL
CHECKED		
APPROVED		

**PROJECT DESCRIPTION**  
HA-382 VOLVO FRANCE

**TITLE**  
NODE-14

**PROJECT CODE :- HA-382**  
DRAWING NUMBER :-

**NODE-15 RBSL02-B**  
LIFT MOTOR



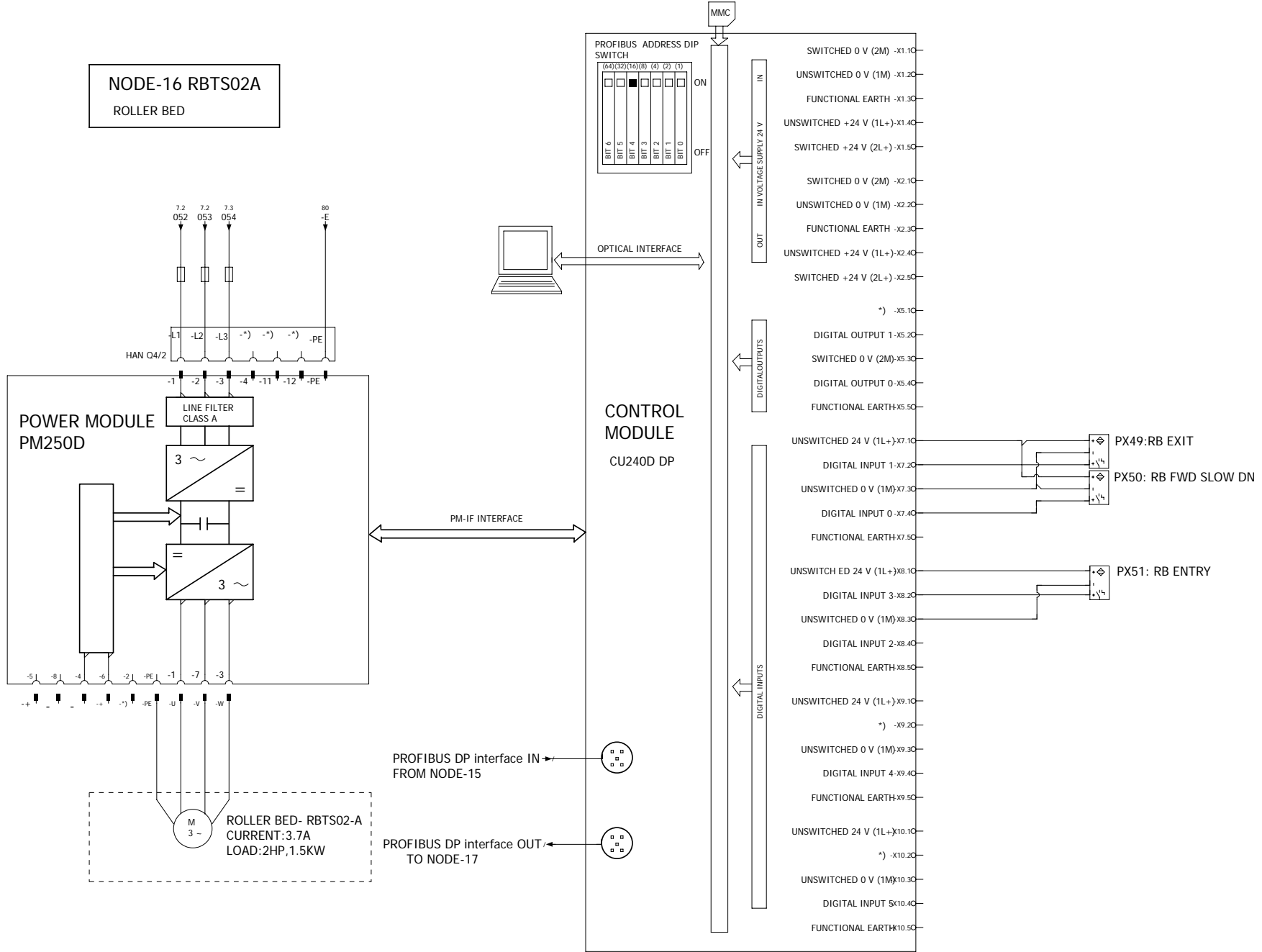
DOCUMENT ID : CY/DD/R/07  
REV : 00

Drawn	Date	Name
Checked		SHITAL
Approved		

PROJECT DESCRIPTION	TITLE
HA-382 VOLVO FRANCE	NODE-15

PROJECT CODE :-	HA-382
DRAWING NUMBER :-	

**NODE-16 RBTS02A**  
ROLLER BED



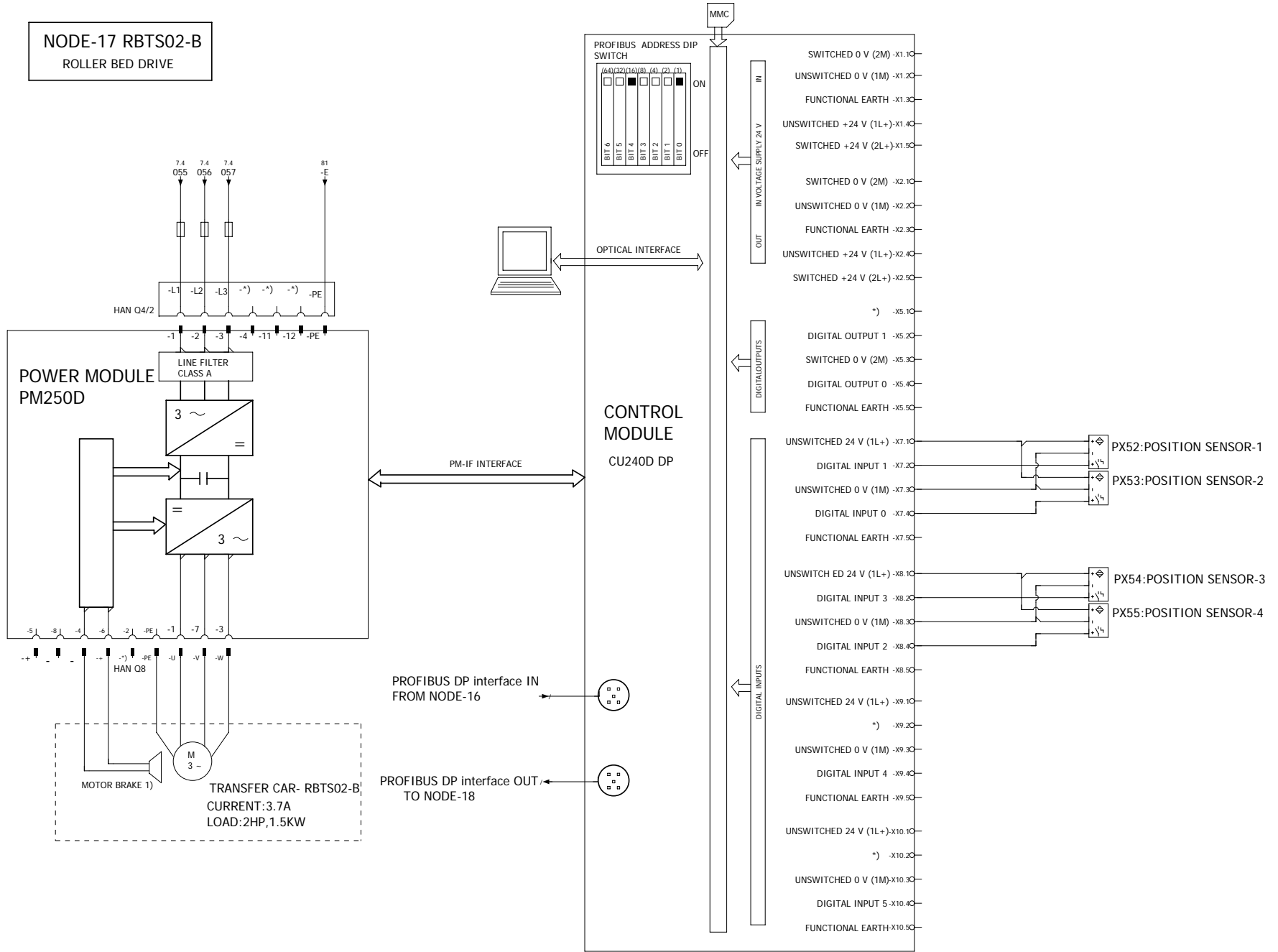
DOCUMENT ID : CY/DD/R/07  
REV : 00

Drawn	Date	Name
Checked		SHITAL
Approved		

PROJECT DESCRIPTION	TITLE
HA-382 VOLVO FRANCE	NODE-16

PROJECT CODE :-	HA-382
DRAWING NUMBER :-	

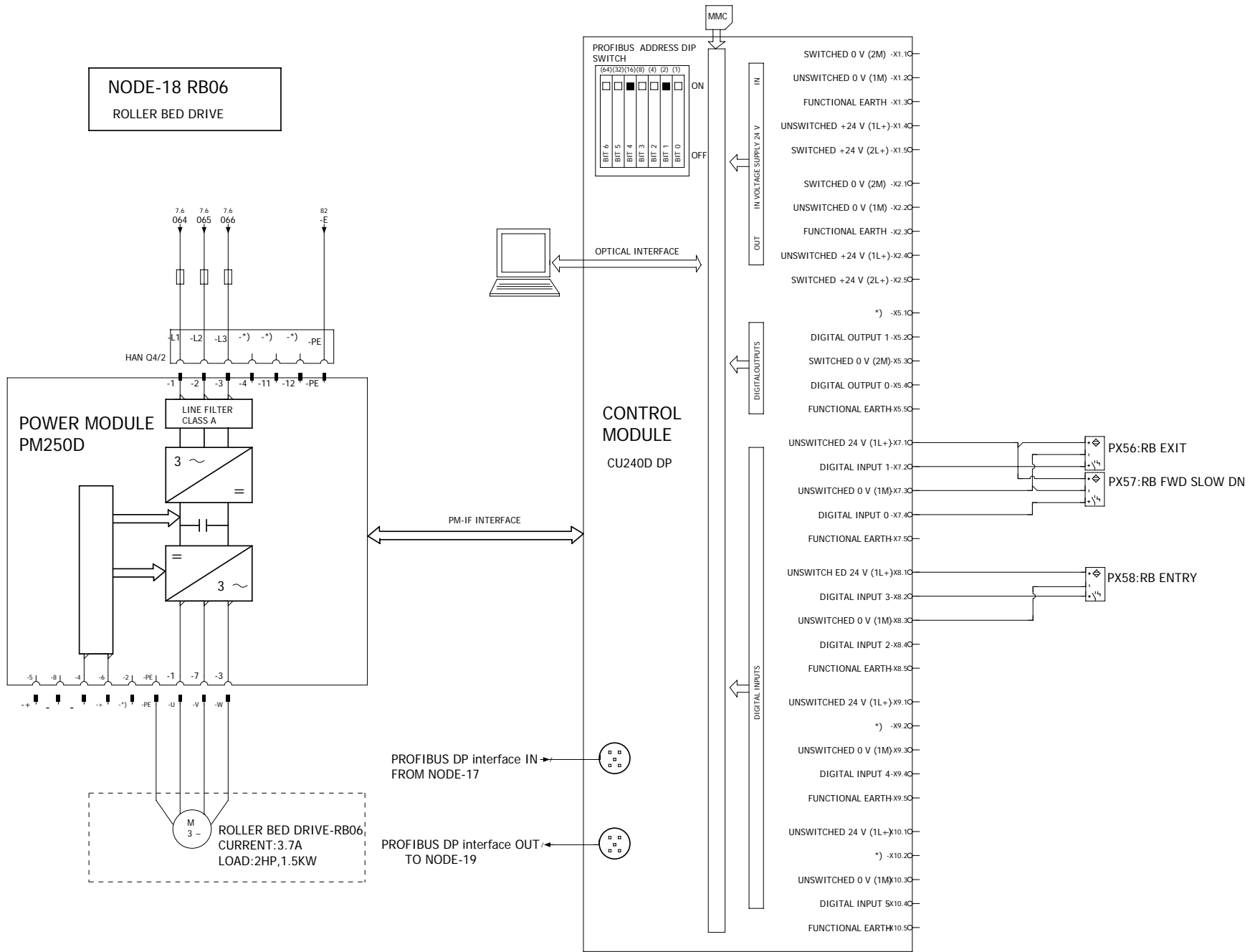
**NODE-17 RBTS02-B**  
ROLLER BED DRIVE



DOCUMENT ID : CY/DD/R/07  
REV : 00

Drawn	Date	Name
Checked		SHITAL
Approved		

**NODE-18 RB06**  
ROLLER BED DRIVE



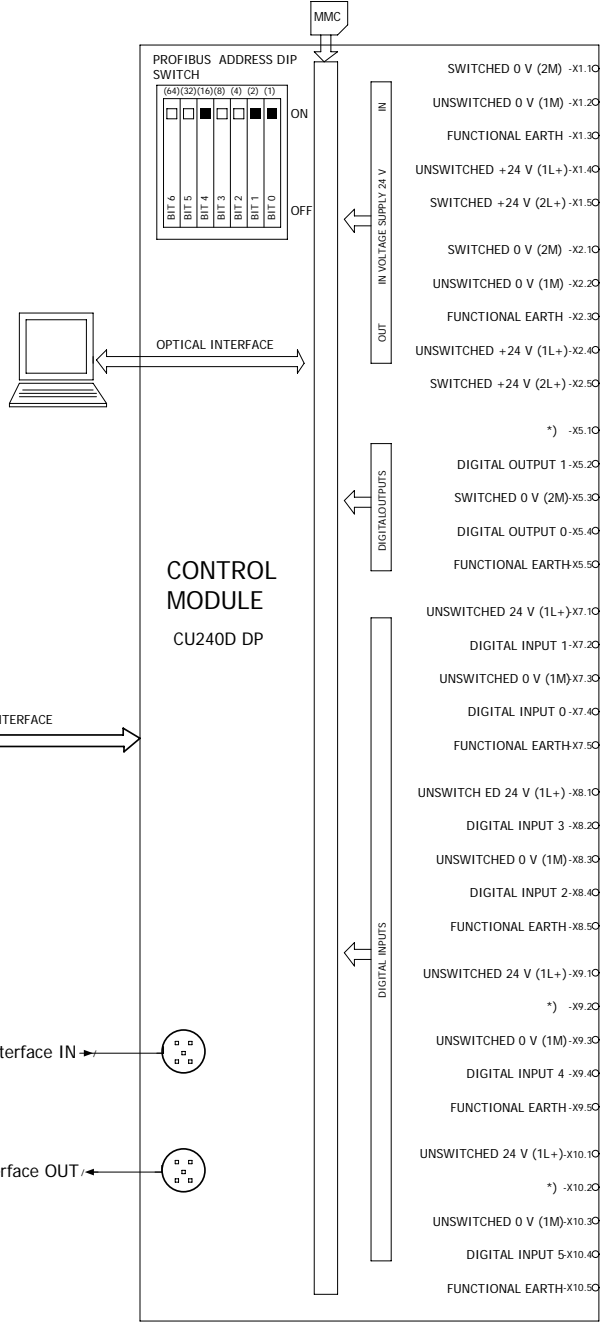
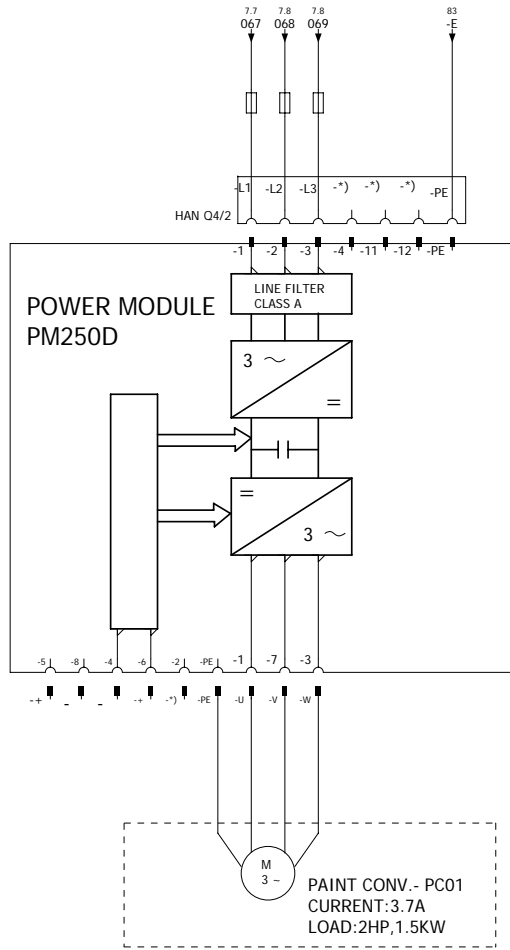
DOCUMENT ID : CY/DD/R/07  
REV : 00

Drawn	Date	Name
Checked		SHITAL
Approved		

<b>PROJECT DESCRIPTION</b>	<b>TITLE</b>
HA-382 VOLVO FRANCE	NODE-18

<b>PROJECT CODE :-</b>	<b>HA-382</b>
<b>DRAWING NUMBER :-</b>	

**NODE-19 PC01**  
PAINT CONV. DRIVE



PROFIBUS DP interface IN FROM NODE-18

PROFIBUS DP interface OUT TO NODE-20

DOCUMENT ID : CY/DD/R/07  
REV : 00



CYBERNETIK TECHNOLOGIES  
PVT.LTD, PUNE

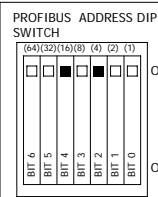
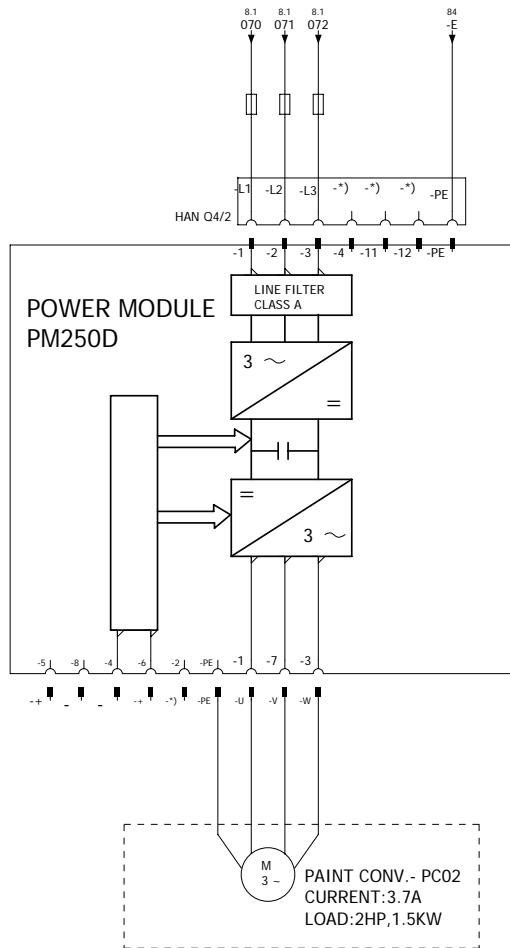
Drawn	Date	Name
Checked		SHITAL
Approved		

PROJECT DESCRIPTION  
HA-382 VOLVO FRANCE

TITLE  
NODE-19

PROJECT CODE :-	HA-382
DRAWING NUMBER :-	
Page	82
Pages	170

**NODE-20 PC02**  
PAINT CONV. DRIVE



OPTICAL INTERFACE

PM-IF INTERFACE

PROFIBUS DP interface IN FROM NODE-19

PROFIBUS DP interface OUT TO NODE-21

**CONTROL MODULE**  
CU240D DP



- SWITCHED 0 V (2M) -X1.10
- UNSWITCHED 0 V (1M) -X1.20
- FUNCTIONAL EARTH -X1.30
- UNSWITCHED +24 V (1L+) -X1.40
- SWITCHED +24 V (2L+) -X1.50
- SWITCHED 0 V (2M) -X2.10
- UNSWITCHED 0 V (1M) -X2.20
- FUNCTIONAL EARTH -X2.30
- UNSWITCHED +24 V (1L+) -X2.40
- SWITCHED +24 V (2L+) -X2.50
- \*) -X5.10
- DIGITAL OUTPUT 1 -X5.20
- SWITCHED 0 V (2M) -X5.30
- DIGITAL OUTPUT 0 -X5.40
- FUNCTIONAL EARTH -X5.50
- UNSWITCHED 24 V (1L+) -X7.10
- DIGITAL INPUT 1 -X7.20
- UNSWITCHED 0 V (1M) -X7.30
- DIGITAL INPUT 0 -X7.40
- FUNCTIONAL EARTH -X7.50
- UNSWITCHED 24 V (1L+) -X8.10
- DIGITAL INPUT 3 -X8.20
- UNSWITCHED 0 V (1M) -X8.30
- DIGITAL INPUT 2 -X8.40
- FUNCTIONAL EARTH -X8.50
- UNSWITCHED 24 V (1L+) -X9.10
- \*) -X9.20
- UNSWITCHED 0 V (1M) -X9.30
- DIGITAL INPUT 4 -X9.40
- FUNCTIONAL EARTH -X9.50
- UNSWITCHED 24 V (1L+) -X10.10
- \*) -X10.20
- UNSWITCHED 0 V (1M) -X10.30
- DIGITAL INPUT 5 -X10.40
- FUNCTIONAL EARTH -X10.50

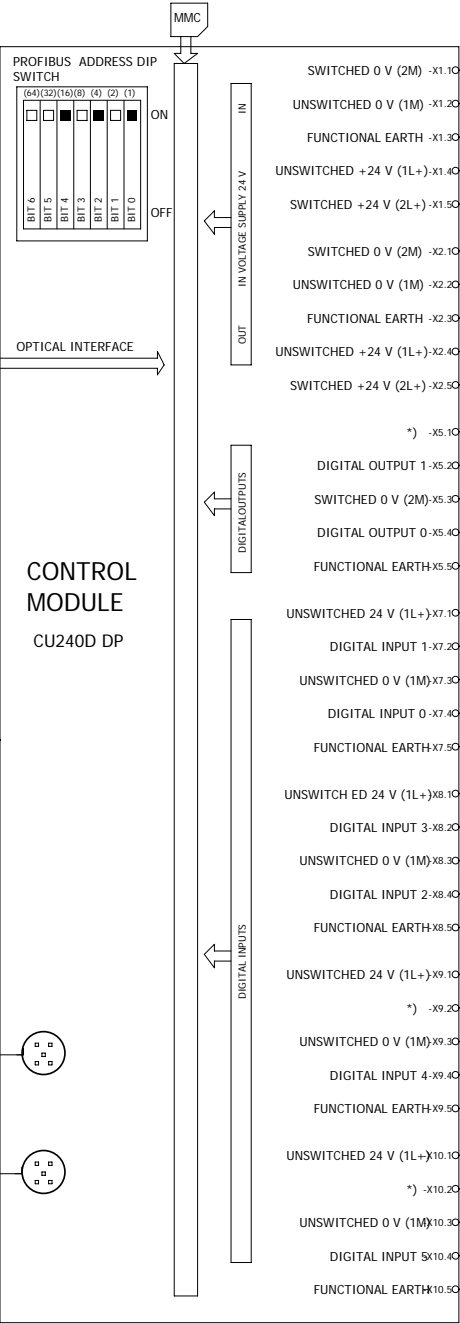
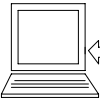
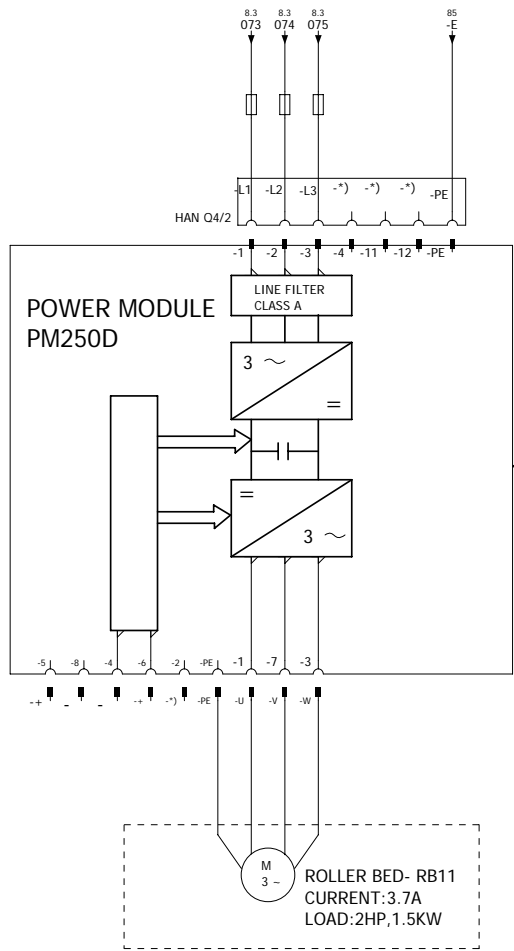
PX62:RB EXIT  
PX63:RB FWD SLOW DN  
PX64:RB ENTRY

DATE	NAME
	SHITAL
CHECKED	
APPROVED	

PROJECT DESCRIPTION	TITLE
HA-382 VOLVO FRANCE	NODE-20

PROJECT CODE :-	HA-382
DRAWING NUMBER :-	

**NODE-21 RB11**  
ROLLER BED DRIVE



PROFIBUS DP interface IN FROM NODE-20

PROFIBUS DP interface OUT TO NODE-22

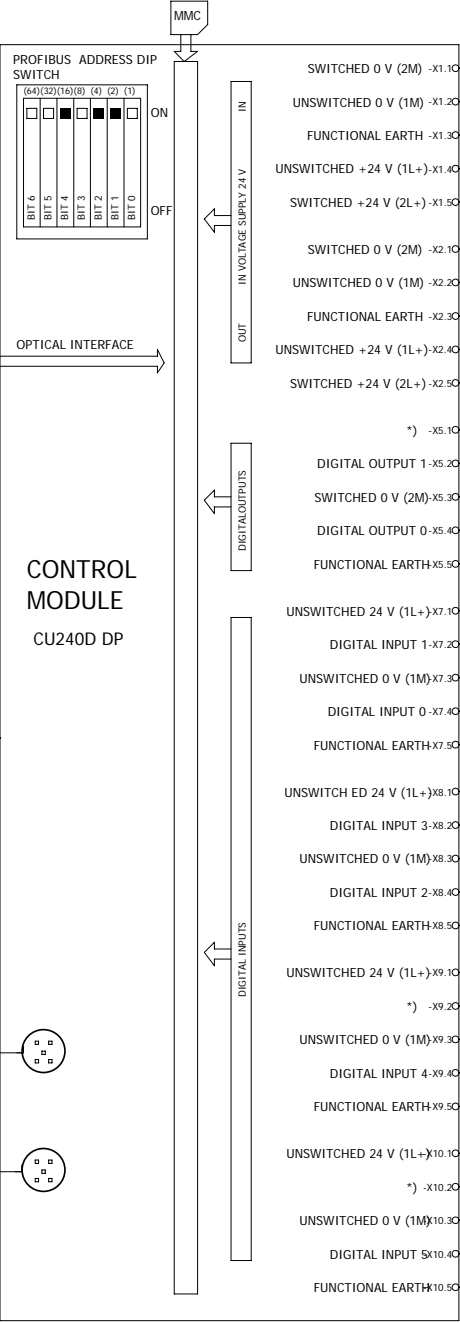
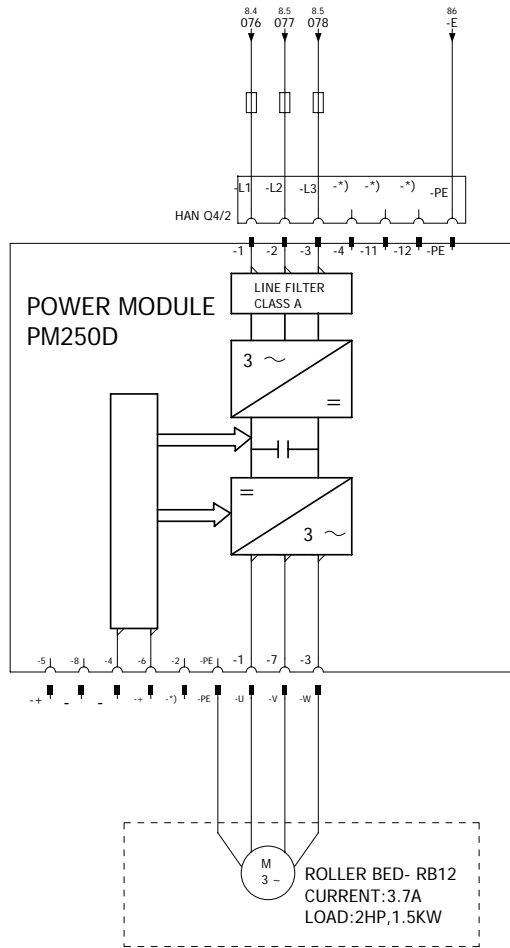
DOCUMENT ID : CY/DD/R/07  
REV : 00

Drawn	Date	Name
Checked		SHITAL
Approved		

PROJECT DESCRIPTION	TITLE
HA-382 VOLVO FRANCE	NODE-21

PROJECT CODE :-	HA-382
DRAWING NUMBER :-	

**NODE-22 RB12**  
ROLLER BED DRIVE



PROFIBUS DP interface IN FROM NODE-21

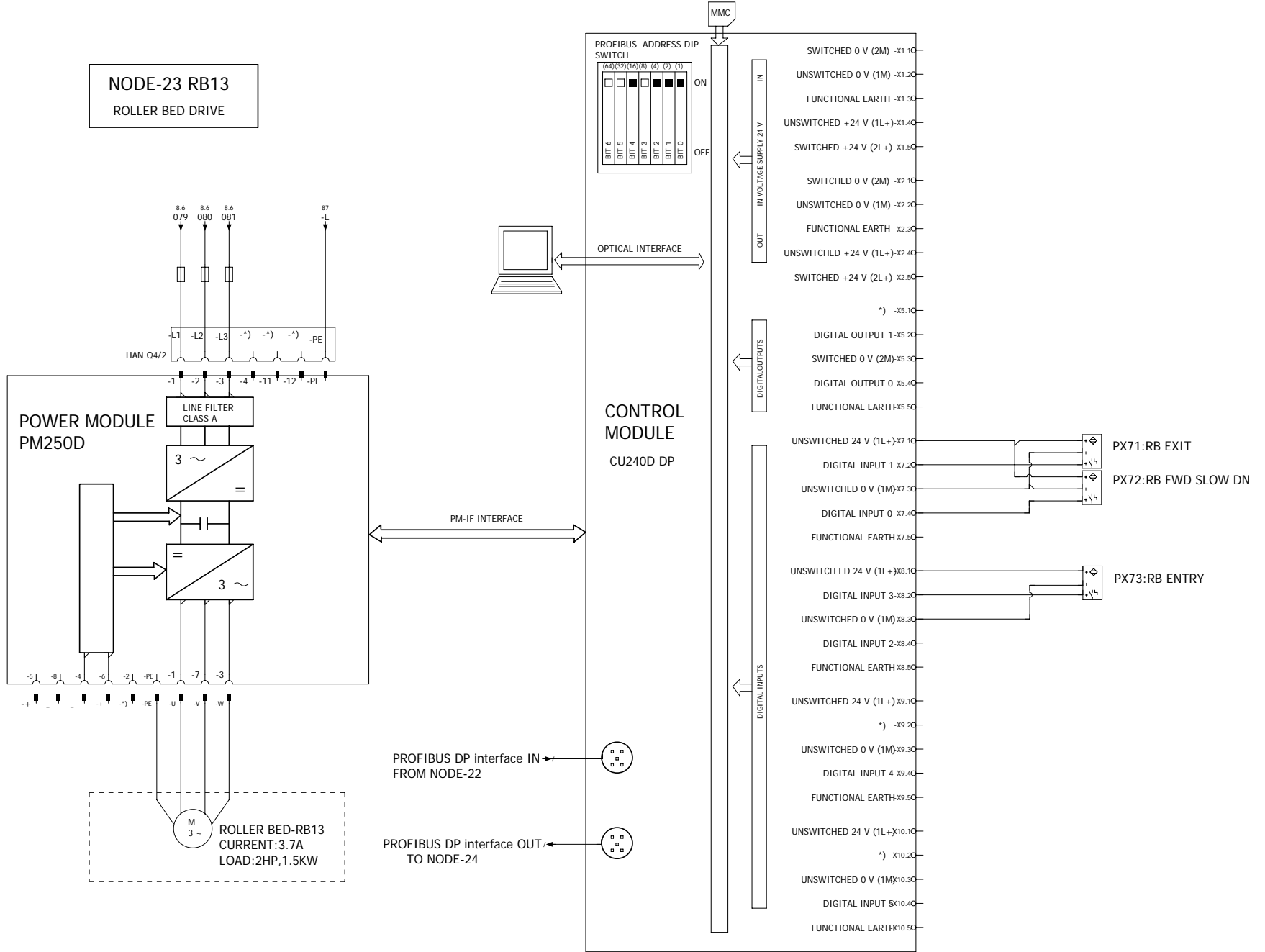
PROFIBUS DP interface OUT TO NODE-23

Drawn	Date	Name
Checked		SHITAL
Approved		

PROJECT DESCRIPTION	TITLE
HA-382 VOLVO FRANCE	NODE-22

PROJECT CODE :-	HA-382
DRAWING NUMBER :-	

**NODE-23 RB13**  
ROLLER BED DRIVE



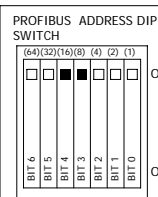
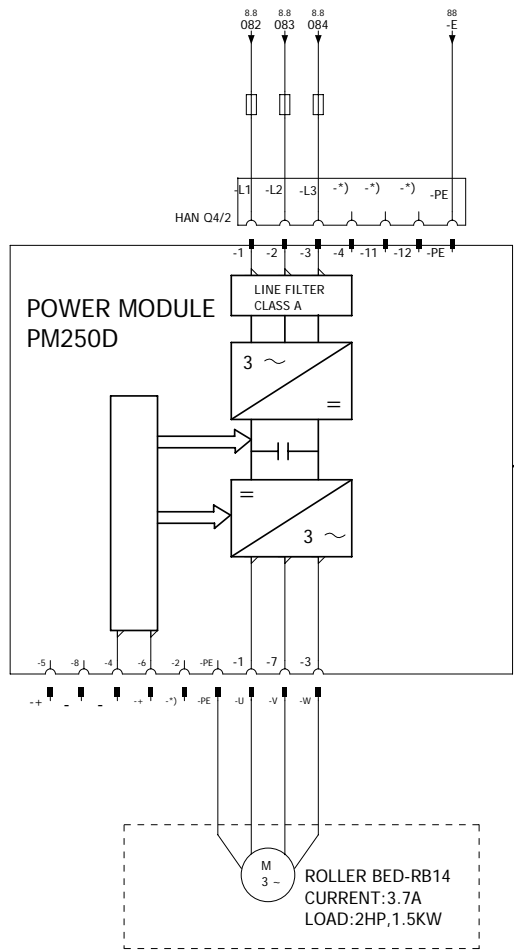
DOCUMENT ID : CY/DD/R/07  
REV : 00

Drawn	Date	Name
Checked		SHITAL
Approved		

PROJECT DESCRIPTION	TITLE
HA-382 VOLVO FRANCE	NODE-23

PROJECT CODE :-	HA-382
DRAWING NUMBER :-	

**NODE-24 RB14**  
ROLLER BED DRIVE



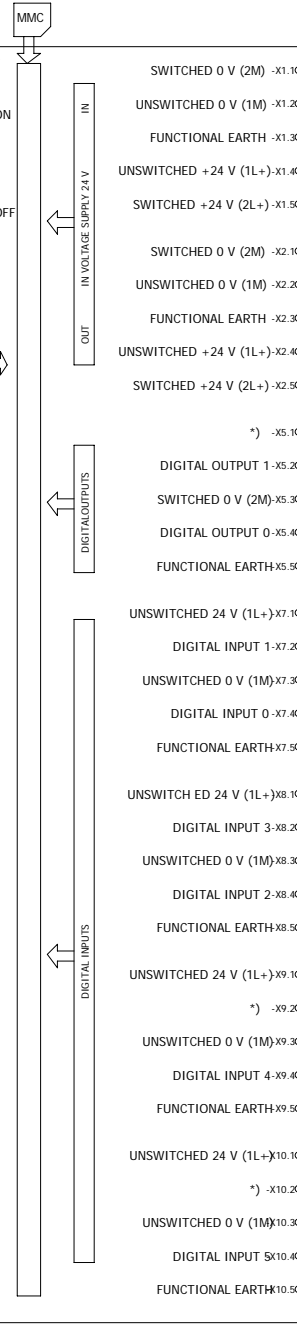
OPTICAL INTERFACE

**CONTROL MODULE**  
CU240D DP

PM-IF INTERFACE

PROFIBUS DP interface IN FROM NODE-23

PROFIBUS DP interface OUT TO NODE-25



DOCUMENT ID : CY/DD/R/07

REV : 00



CYBERNETIK TECHNOLOGIES  
PVT.LTD, PUNE

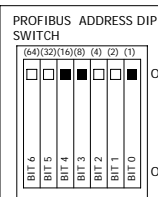
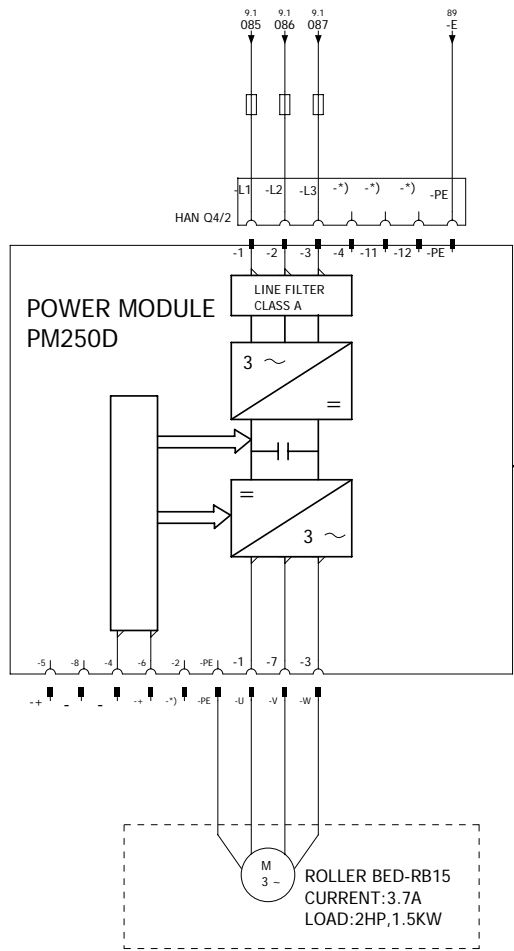
DATE	NAME
	SHITAL
CHECKED	
APPROVED	

PROJECT DESCRIPTION
HA-382 VOLVO FRANCE

TITLE
NODE-24

PROJECT CODE :-	HA-382
DRAWING NUMBER :-	
Page	87
Pages	170

**NODE-25 RB15**  
ROLLER BED DRIVE

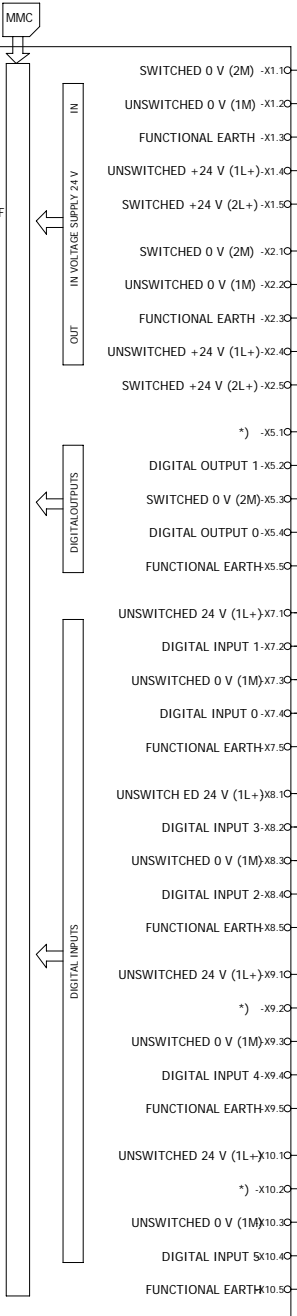


**CONTROL MODULE**  
CU240D DP

PM-IF INTERFACE

PROFIBUS DP interface IN FROM NODE-24

PROFIBUS DP interface OUT TO NODE-26



DOCUMENT ID : CY/DD/R/07

REV : 00



CYBERNETIK TECHNOLOGIES  
PVT.LTD, PUNE

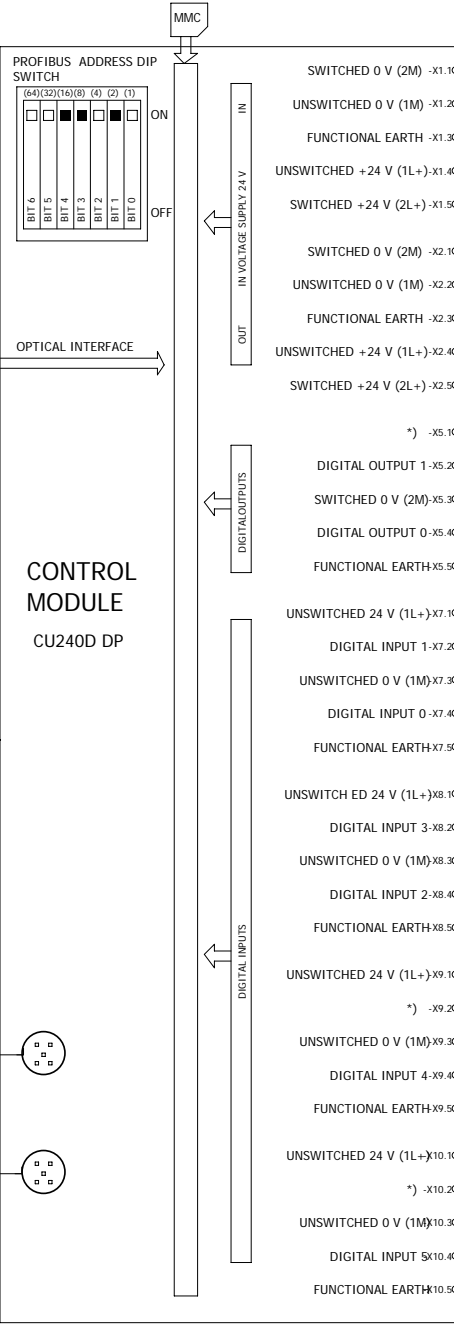
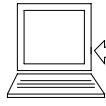
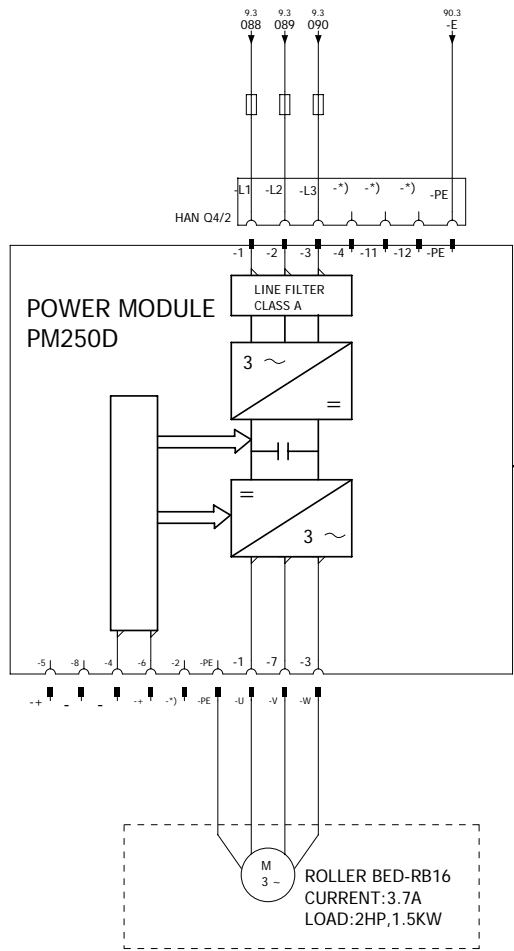
	Date	Name
DRAWN		SHITAL
CHECKED		
APPROVED		

PROJECT DESCRIPTION  
HA-382 VOLVO FRANCE

TITLE  
NODE-25

PROJECT CODE :-	<b>HA-382</b>
DRAWING NUMBER :-	
Page	88
Pages	170

**NODE-26 RB16**  
ROLLER BED DRIVE



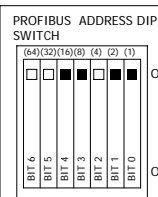
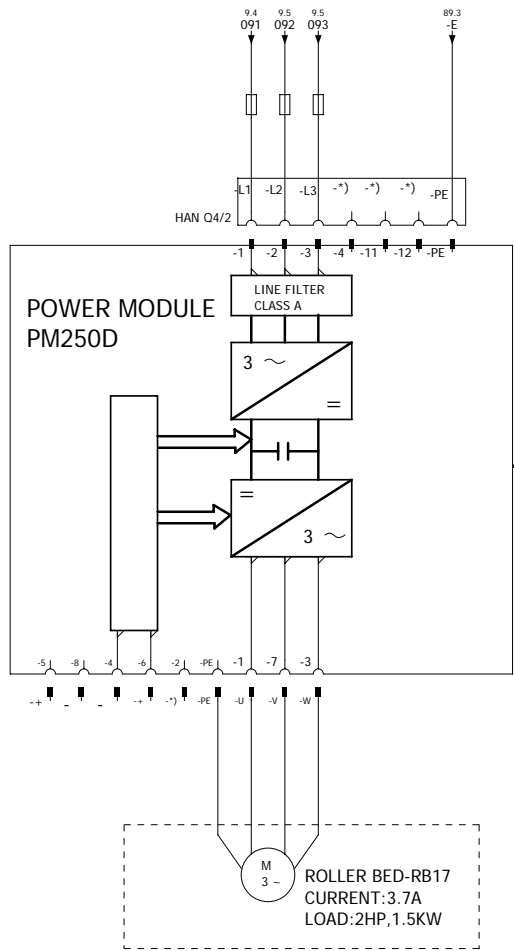
DOCUMENT ID : CY/DD/R/07  
REV : 00

DATE	NAME
CHECKED	SHITAL
APPROVED	

PROJECT DESCRIPTION	TITLE
HA-382 VOLVO FRANCE	NODE-26

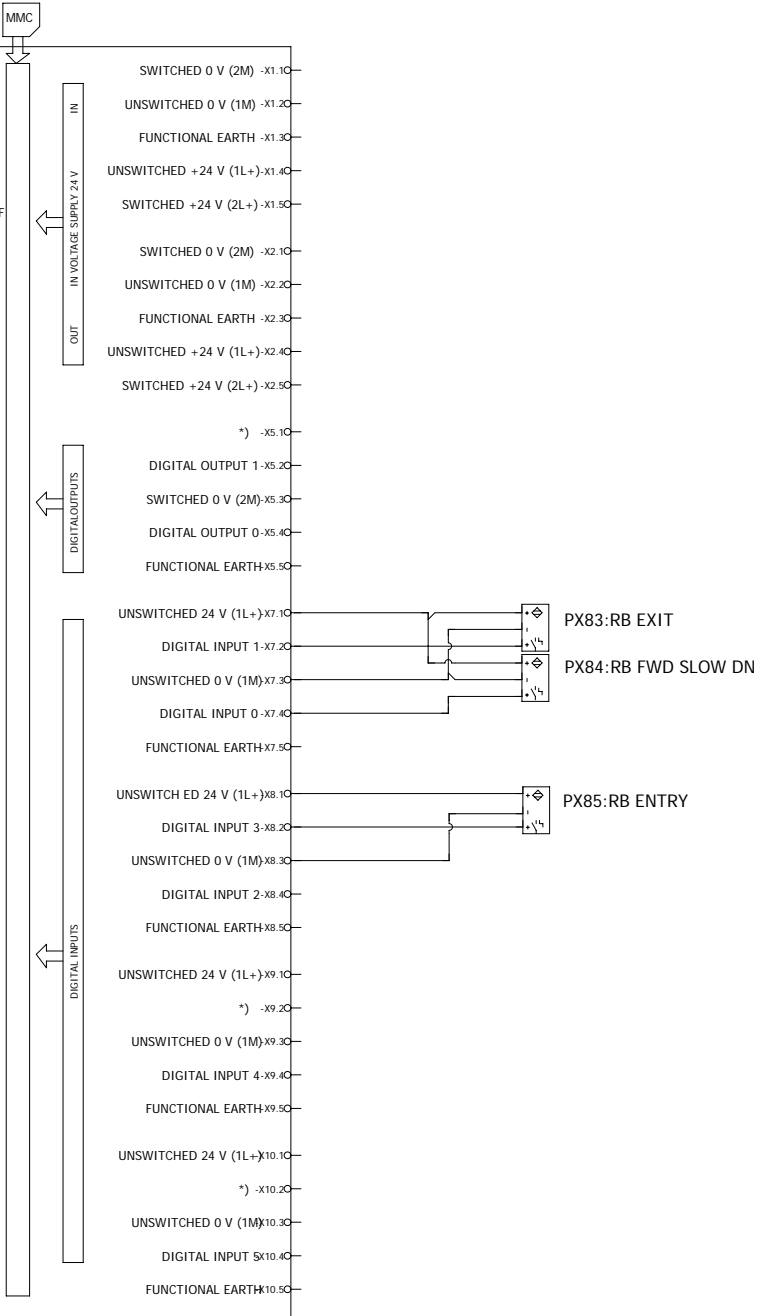
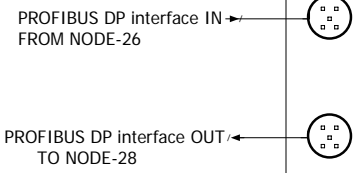
PROJECT CODE :-	HA-382
DRAWING NUMBER :-	

**NODE-27 RB17**  
ROLLER BED DRIVE



**CONTROL MODULE**  
CU240D DP

PM-IF INTERFACE



DOCUMENT ID : CY/DD/R/07

REV : 00



CYBERNETIK TECHNOLOGIES  
PVT.LTD, PUNE

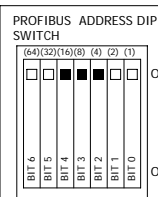
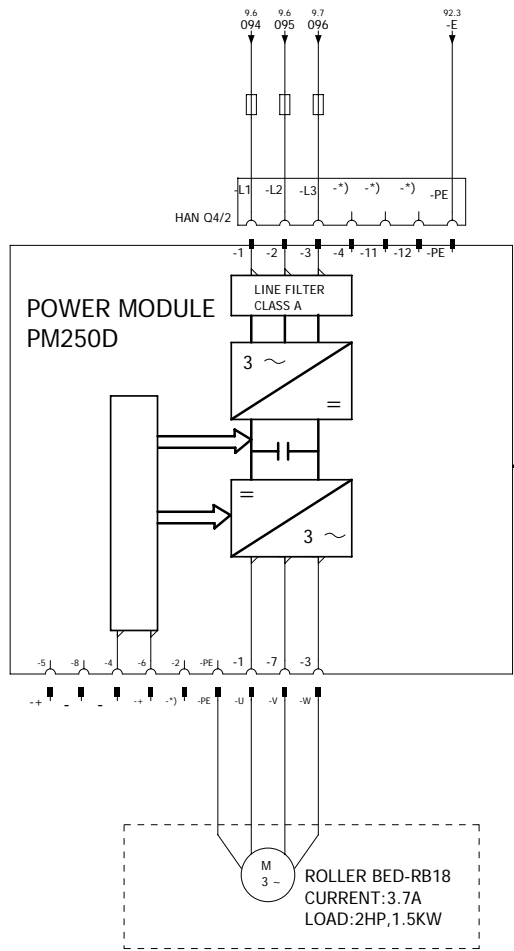
	Date	Name
DRAWN		SHITAL
CHECKED		
APPROVED		

PROJECT DESCRIPTION  
HA-382 VOLVO FRANCE

TITLE  
NODE-27

PROJECT CODE :-	<b>HA-382</b>
DRAWING NUMBER :-	
Page	90
Pages	170

**NODE-28 RB18**  
ROLLER BED DRIVE



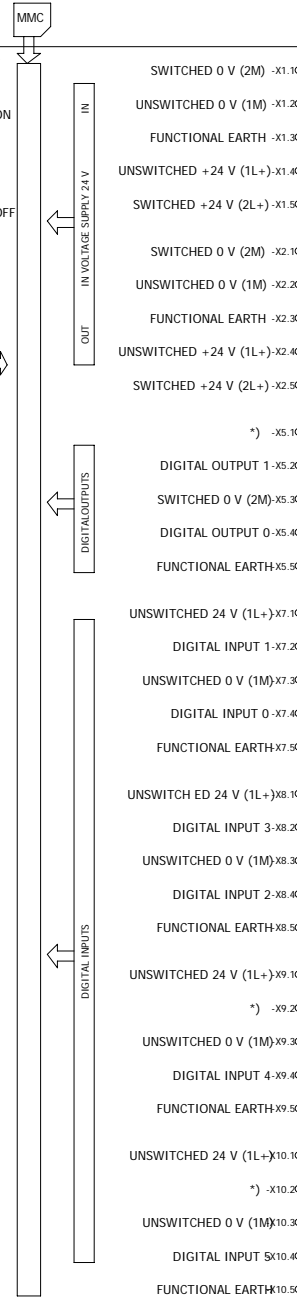
OPTICAL INTERFACE

**CONTROL MODULE**  
CU240D DP

PM-IF INTERFACE

PROFIBUS DP interface IN FROM NODE-27

PROFIBUS DP interface OUT TO NODE-29



DOCUMENT ID : CY/DD/R/07

REV : 00



CYBERNETIK TECHNOLOGIES  
PVT.LTD, PUNE

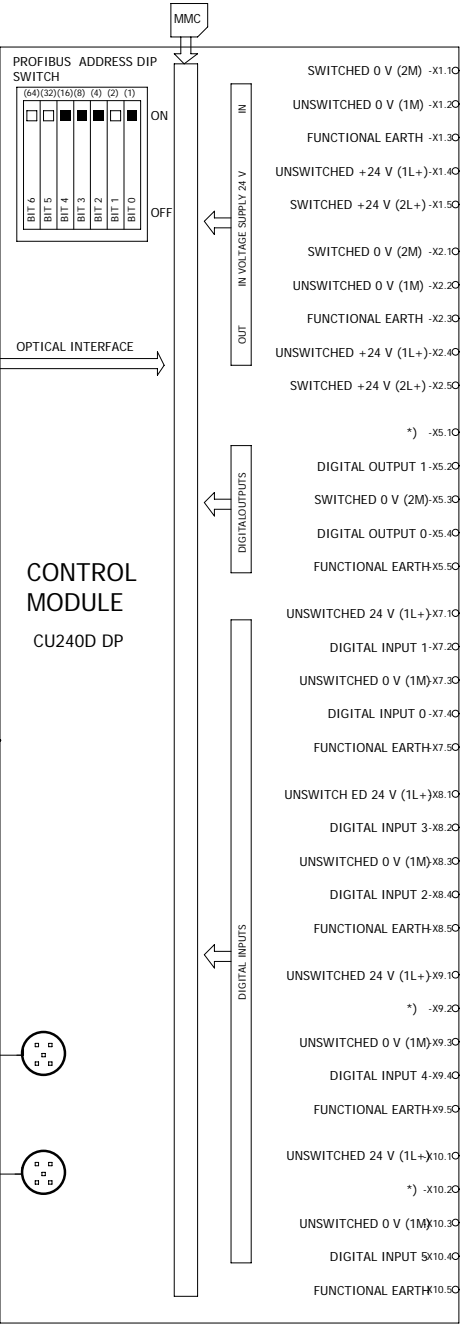
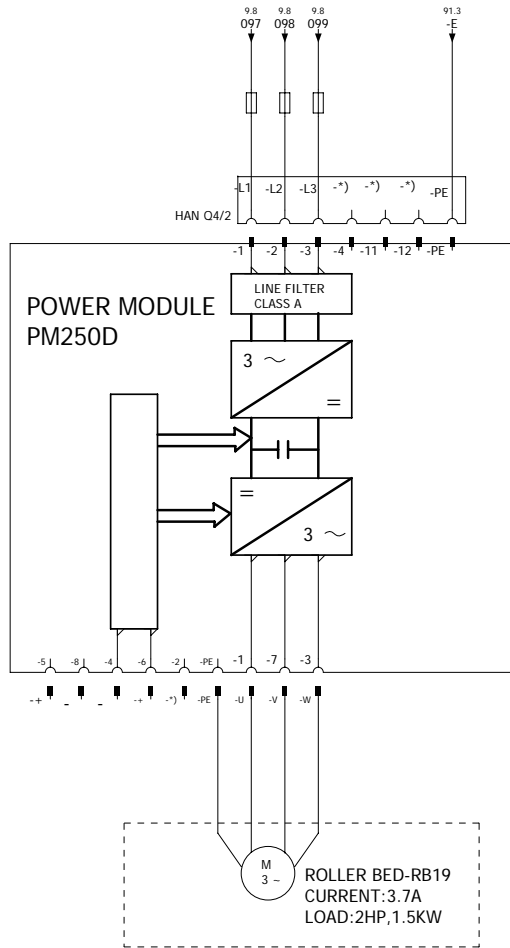
	Date	Name
DRAWN		SHITAL
CHECKED		
APPROVED		

PROJECT DESCRIPTION	TITLE
HA-382 VOLVO FRANCE	NODE-28

PROJECT CODE :-	DRAWING NUMBER :-
HA-382	

Page	Pages
91	170

**NODE-29 RB19**  
ROLLER BED DRIVE



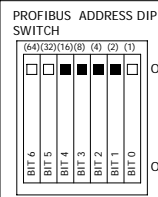
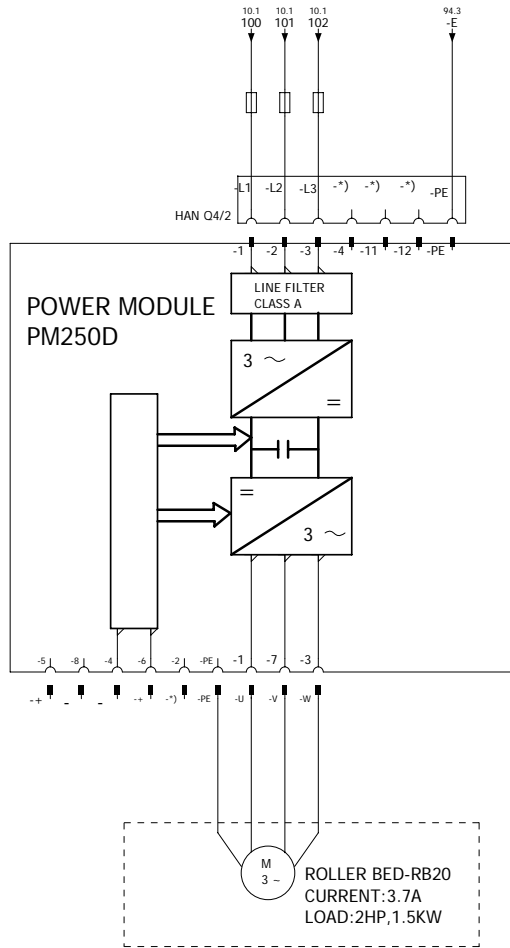
PROFIBUS DP interface IN / FROM NODE-28

PROFIBUS DP interface OUT / TO NODE-30

DOCUMENT ID : CY/DD/R/07  
REV : 00

Drawn	Date	Name
Checked		SHITAL
Approved		

**NODE-30 RB20**  
ROLLER BED DRIVE



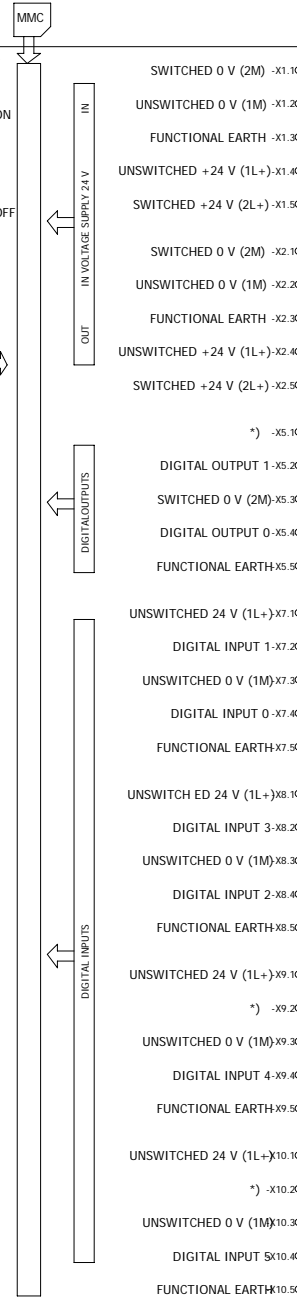
OPTICAL INTERFACE

**CONTROL MODULE**  
CU240D DP

PM-IF INTERFACE

PROFIBUS DP interface IN FROM NODE-29

PROFIBUS DP interface OUT TO NODE-31

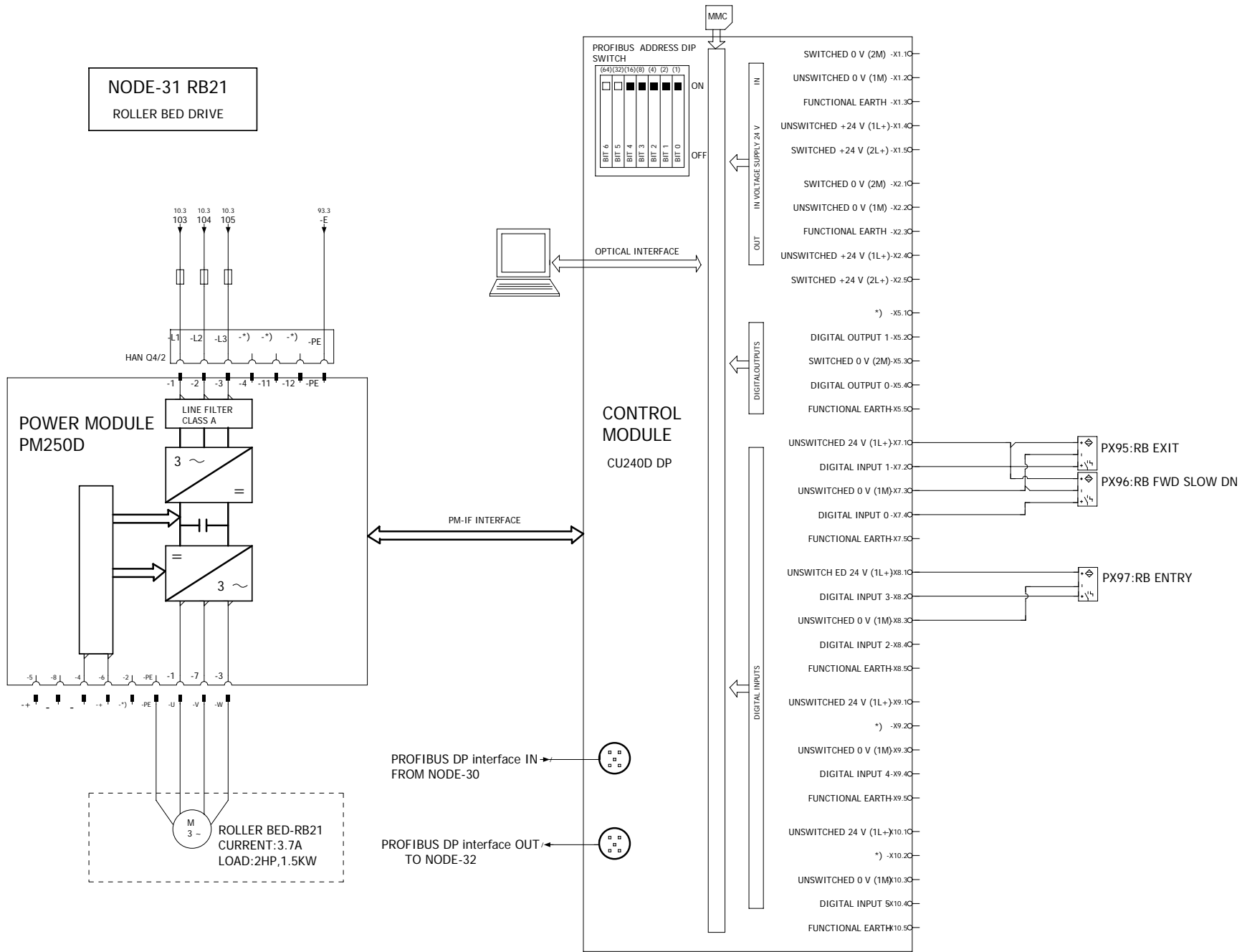


DATE	NAME
	SHITAL
CHECKED	
APPROVED	

PROJECT DESCRIPTION	TITLE
HA-382 VOLVO FRANCE	NODE-30

PROJECT CODE :-	HA-382
DRAWING NUMBER :-	

**NODE-31 RB21**  
ROLLER BED DRIVE



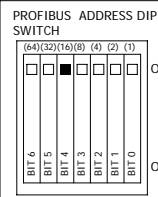
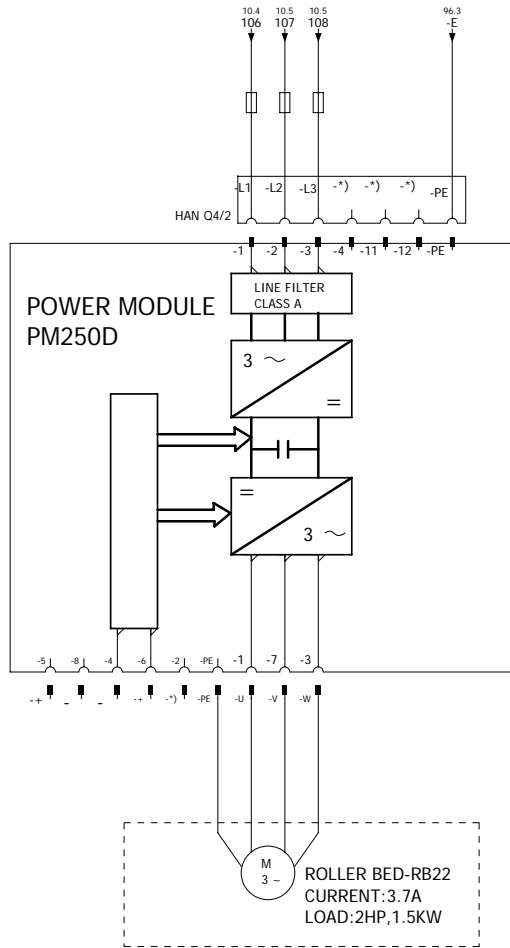
DOCUMENT ID : CY/DD/R/07  
REV : 00

Date	Name
	SHITAL

PROJECT DESCRIPTION	TITLE
HA-382 VOLVO FRANCE	NODE-31

PROJECT CODE :-	DRAWING NUMBER :-
HA-382	

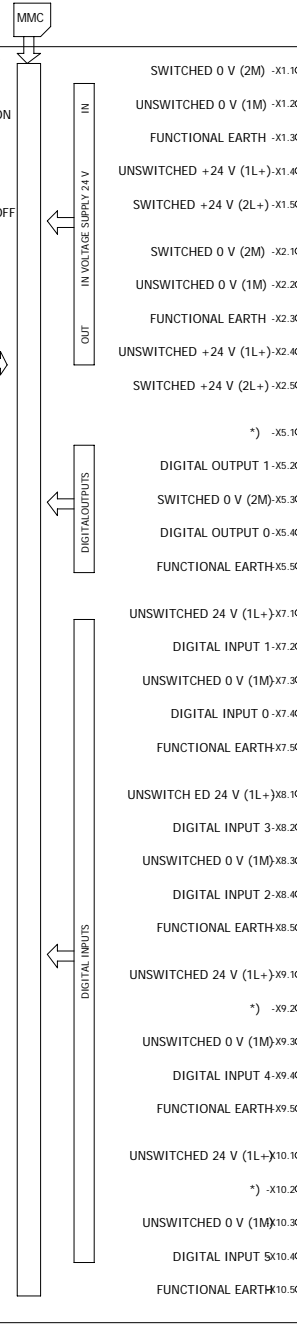
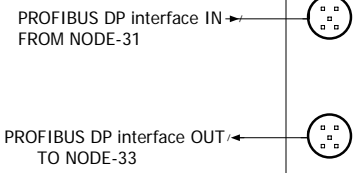
**NODE-32 RB22**  
ROLLER BED DRIVE



OPTICAL INTERFACE

**CONTROL MODULE**  
CU240D DP

PM-IF INTERFACE



DOCUMENT ID : CY/DD/R/07

REV : 00



CYBERNETIK TECHNOLOGIES  
PVT.LTD, PUNE

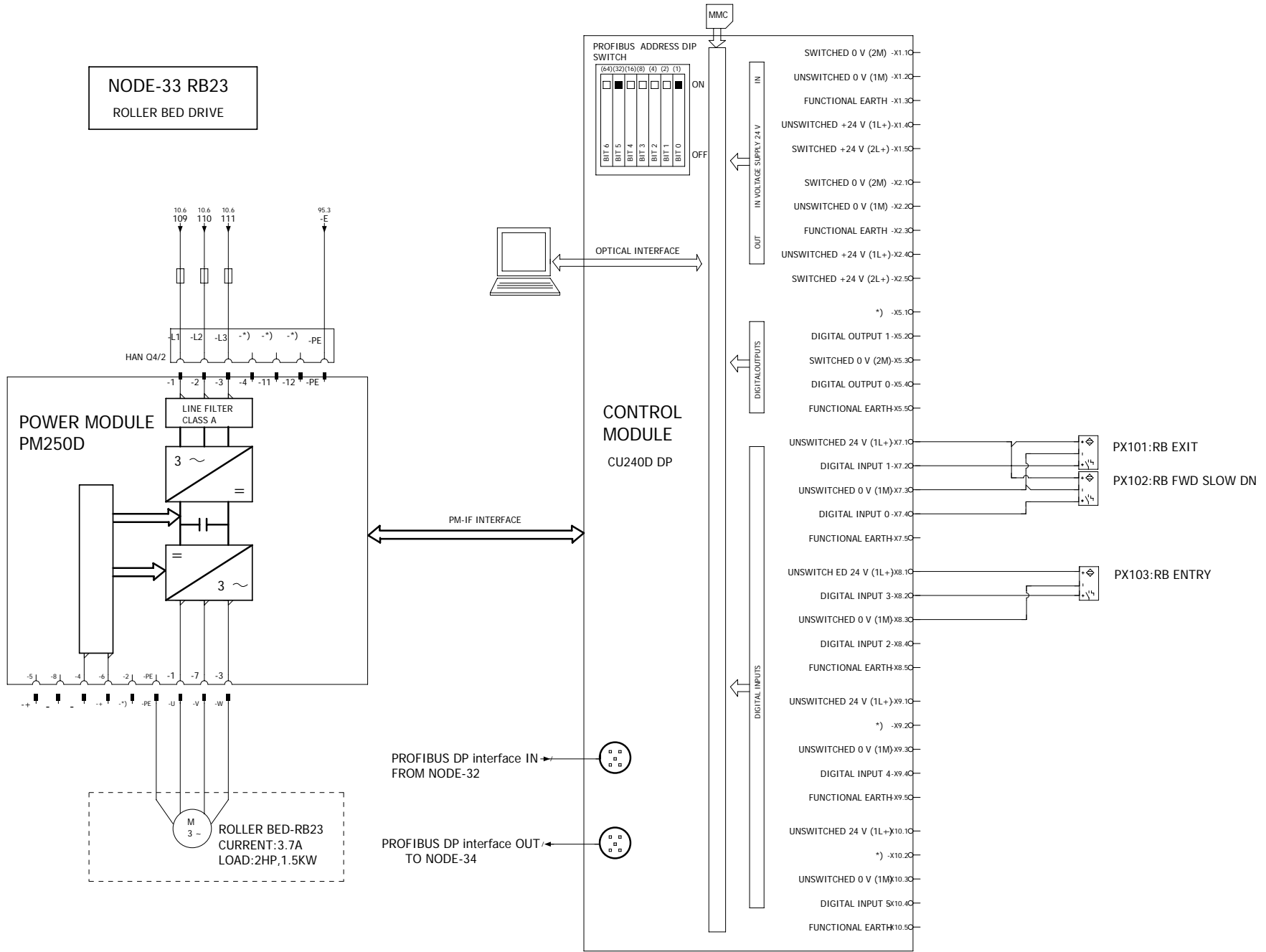
	Date	Name
DRAWN		SHITAL
CHECKED		
APPROVED		

PROJECT DESCRIPTION  
HA-382 VOLVO FRANCE

TITLE  
NODE-32

PROJECT CODE :- **HA-382**  
DRAWING NUMBER :-

**NODE-33 RB23**  
ROLLER BED DRIVE



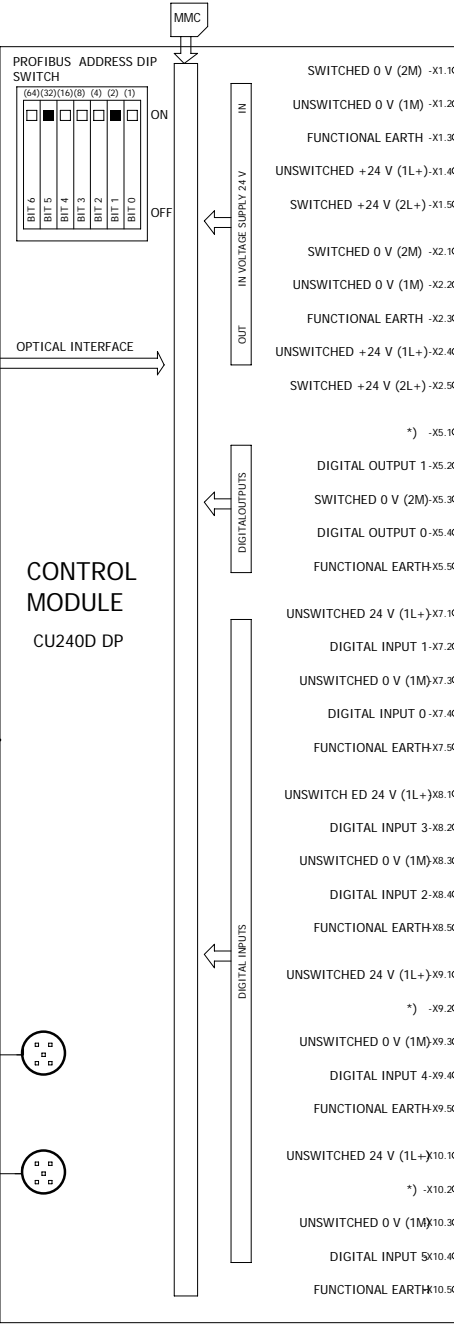
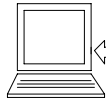
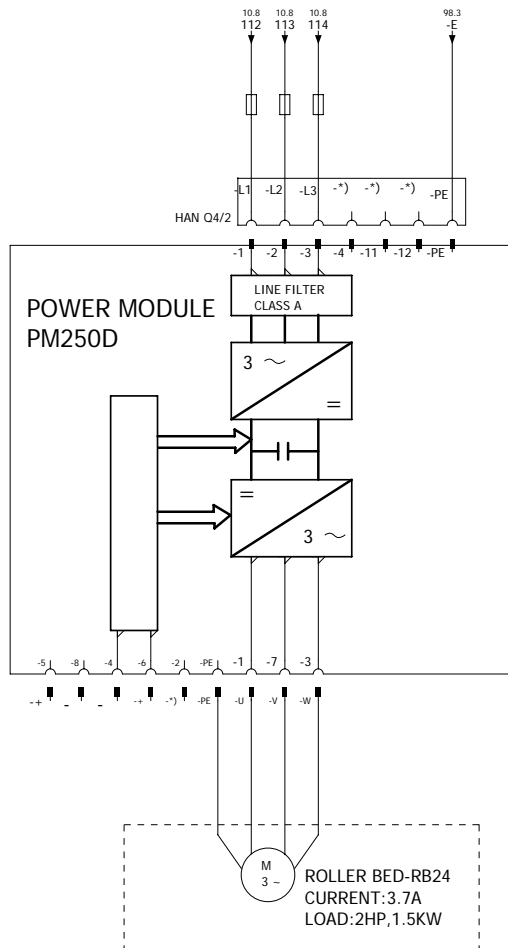
DOCUMENT ID : CY/DD/R/07  
REV : 00

Drawn	Date	Name
Checked		SHITAL
Approved		

<b>PROJECT DESCRIPTION</b>	<b>TITLE</b>
HA-382 VOLVO FRANCE	NODE-33

<b>PROJECT CODE :-</b>	<b>HA-382</b>
<b>DRAWING NUMBER :-</b>	

**NODE-34 RB24**  
ROLLER BED DRIVE



PM-IF INTERFACE

PROFIBUS DP interface IN FROM NODE-33

PROFIBUS DP interface OUT TO NODE-35

- SWITCHED 0 V (2M) -X1.10
  - UNSWITCHED 0 V (1M) -X1.20
  - FUNCTIONAL EARTH -X1.30
  - UNSWITCHED +24 V (1L+) -X1.40
  - SWITCHED +24 V (2L+) -X1.50
  - SWITCHED 0 V (2M) -X2.10
  - UNSWITCHED 0 V (1M) -X2.20
  - FUNCTIONAL EARTH -X2.30
  - UNSWITCHED +24 V (1L+) -X2.40
  - SWITCHED +24 V (2L+) -X2.50
  - \*) -X5.10
  - DIGITAL OUTPUT 1 -X5.20
  - SWITCHED 0 V (2M) -X5.30
  - DIGITAL OUTPUT 0 -X5.40
  - FUNCTIONAL EARTH -X5.50
  - UNSWITCHED 24 V (1L+) -X7.10
  - DIGITAL INPUT 1 -X7.20
  - UNSWITCHED 0 V (1M) -X7.30
  - DIGITAL INPUT 0 -X7.40
  - FUNCTIONAL EARTH -X7.50
  - UNSWITCHED 24 V (1L+) -X8.10
  - DIGITAL INPUT 3 -X8.20
  - UNSWITCHED 0 V (1M) -X8.30
  - DIGITAL INPUT 2 -X8.40
  - FUNCTIONAL EARTH -X8.50
  - UNSWITCHED 24 V (1L+) -X9.10
  - \*) -X9.20
  - UNSWITCHED 0 V (1M) -X9.30
  - DIGITAL INPUT 4 -X9.40
  - FUNCTIONAL EARTH -X9.50
  - UNSWITCHED 24 V (1L+) -X10.10
  - \*) -X10.20
  - UNSWITCHED 0 V (1M) -X10.30
  - DIGITAL INPUT 5 -X10.40
  - FUNCTIONAL EARTH -X10.50
- PX104:RB EXIT
- PX105:RB FWD SLOW DN
- PX106:RB ENTRY

DOCUMENT ID : CY/DD/R/07

REV : 00



CYBERNETIK TECHNOLOGIES  
PVT.LTD, PUNE

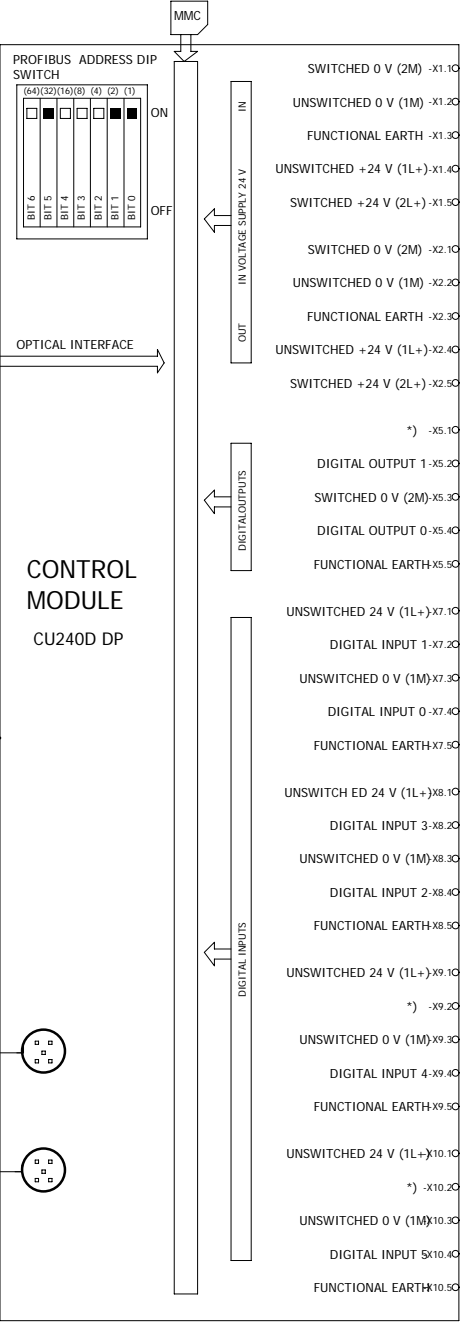
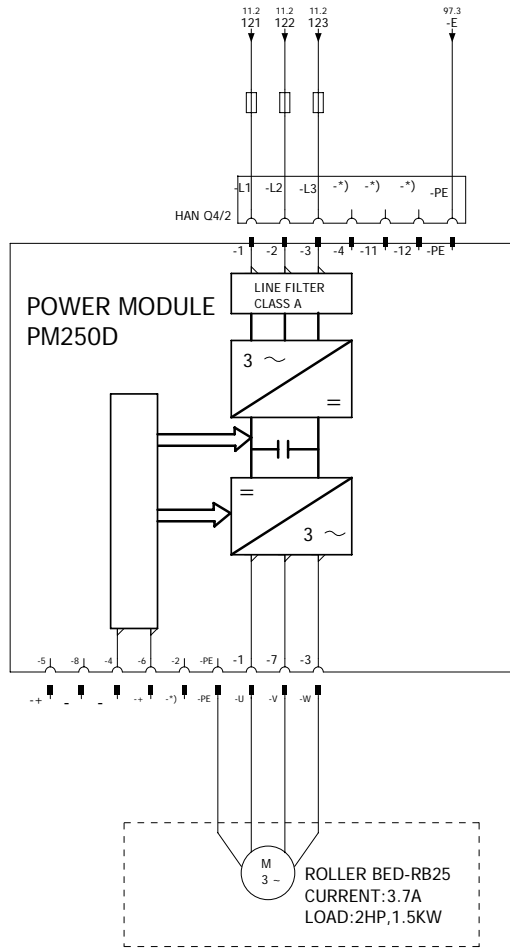
Drawn	Date	Name
CHECKED		SHITAL
APPROVED		

PROJECT DESCRIPTION  
HA-382 VOLVO FRANCE

TITLE  
NODE-34

PROJECT CODE :-	<b>HA-382</b>
DRAWING NUMBER :-	
Page	97
Pages	170

**NODE-35 RB25**  
ROLLER BED DRIVE



PM-IF INTERFACE

PROFIBUS DP interface IN FROM NODE-34

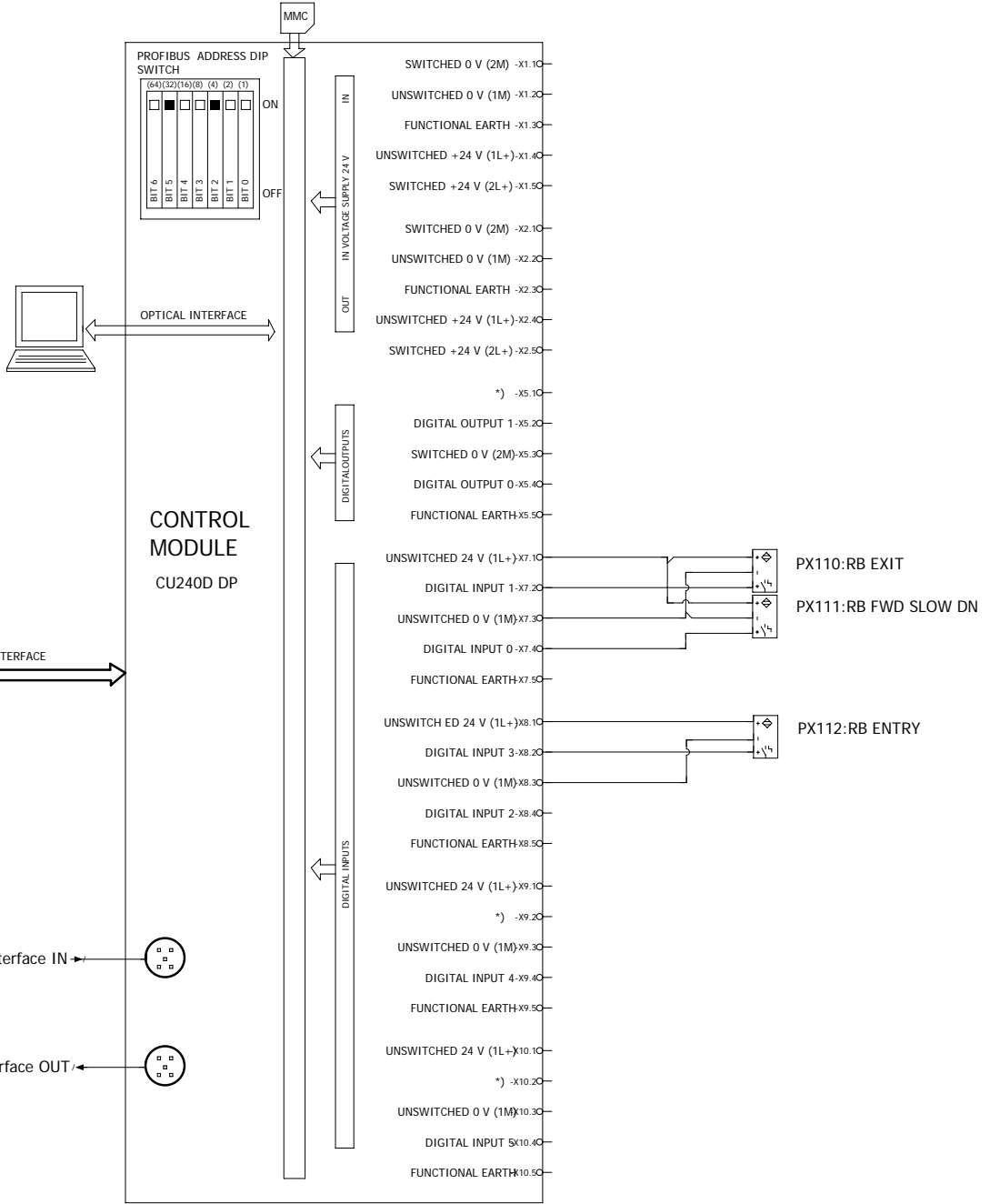
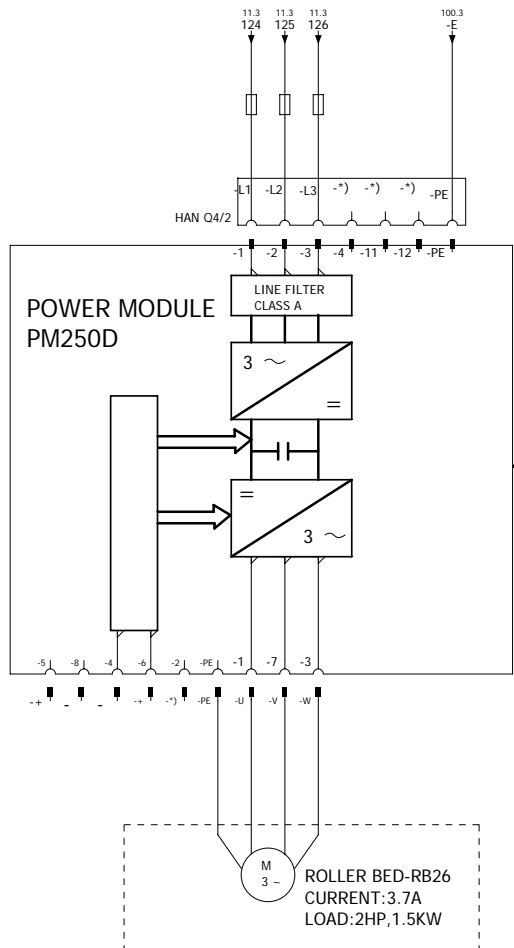
PROFIBUS DP interface OUT TO NODE-36

DATE	NAME
CHECKED	SHITAL
APPROVED	

PROJECT DESCRIPTION	TITLE
HA-382 VOLVO FRANCE	NODE-35

PROJECT CODE :-	HA-382
DRAWING NUMBER :-	

**NODE-36 RB26**  
ROLLER BED DRIVE



PM-IF INTERFACE

PROFIBUS DP interface IN FROM NODE-35

PROFIBUS DP interface OUT TO NODE-37

DOCUMENT ID : CY/DD/R/07

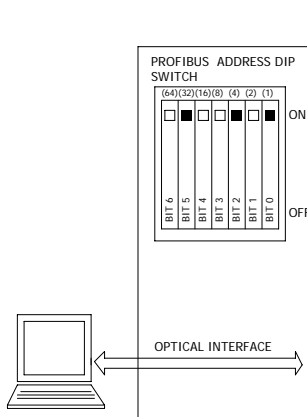
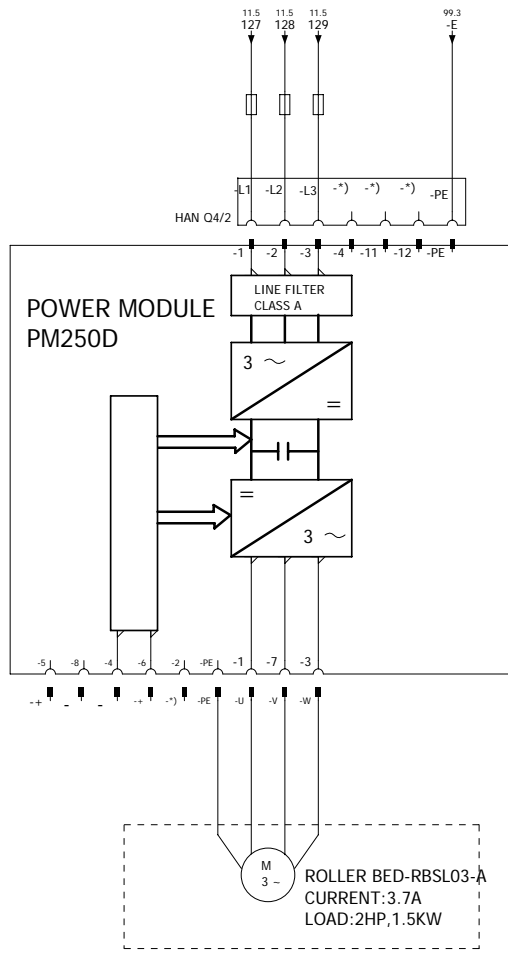
REV : 00

DATE	NAME
CHECKED	SHITAL
APPROVED	

PROJECT DESCRIPTION	TITLE
HA-382 VOLVO FRANCE	NODE-36

PROJECT CODE :-	HA-382
DRAWING NUMBER :-	

**NODE-37 RBSL03-A**  
ROLLER BED DRIVE

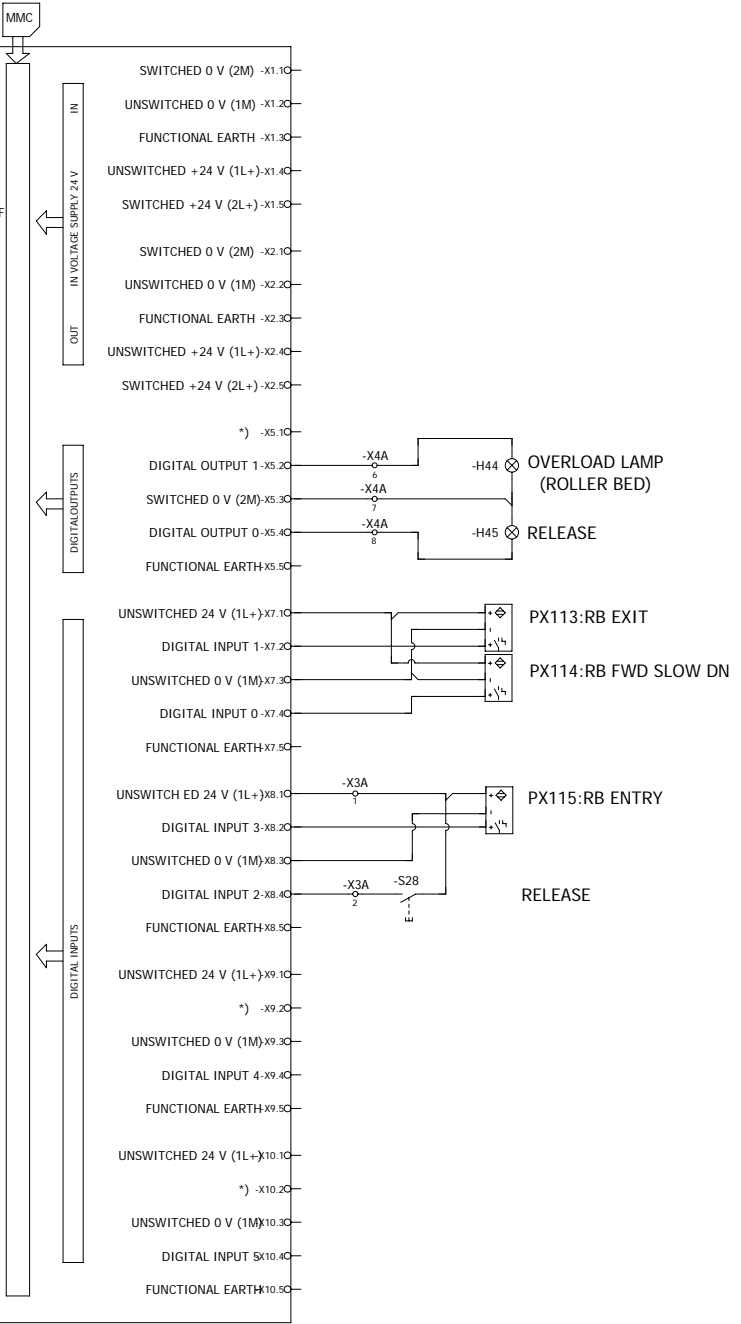


**CONTROL MODULE**  
CU240D DP

PM-IF INTERFACE

PROFIBUS DP interface IN FROM NODE-36

PROFIBUS DP interface OUT TO NODE-38



DOCUMENT ID : CY/DD/R/07

REV : 00



CYBERNETIK TECHNOLOGIES  
PVT.LTD, PUNE

Drawn	Date	Name
CHECKED		SHITAL
APPROVED		

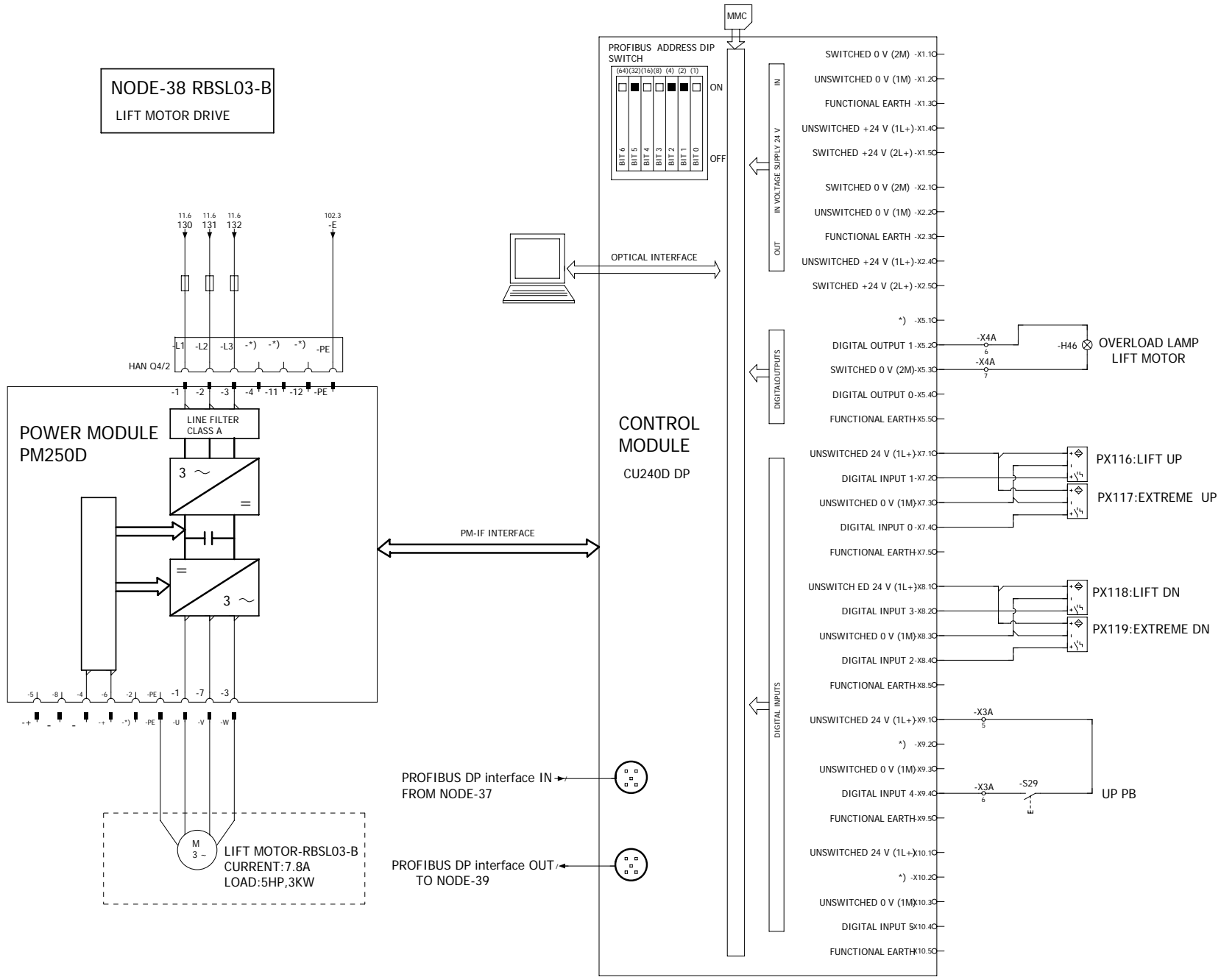
PROJECT DESCRIPTION  
HA-382 VOLVO FRANCE

TITLE  
NODE-37

PROJECT CODE :- **HA-382**

DRAWING NUMBER :-

**NODE-38 RBSL03-B**  
LIFT MOTOR DRIVE



DOCUMENT ID : CY/DD/R/07

REV : 00

**CYBERNETIK TECHNOLOGIES PVT.LTD, PUNE**

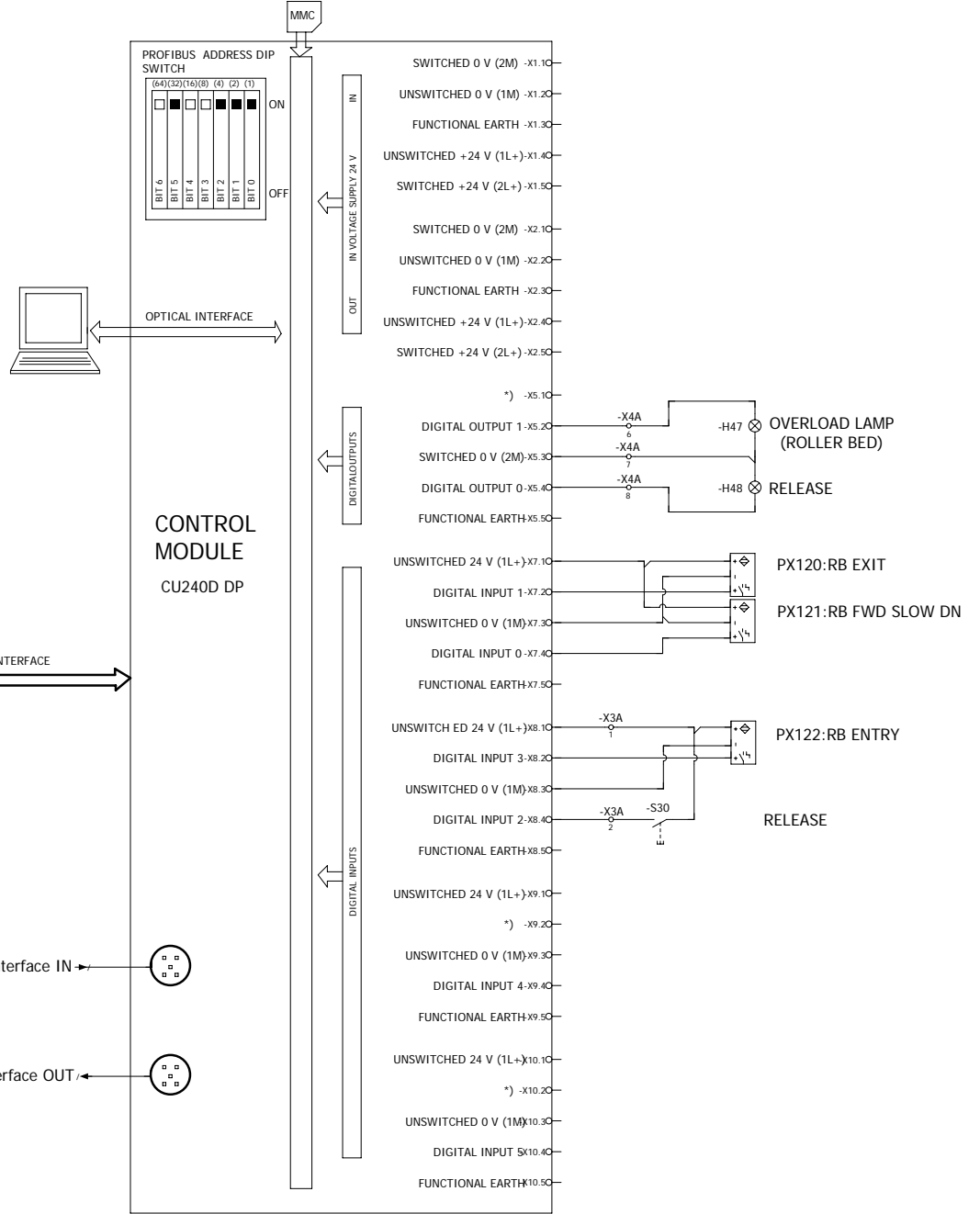
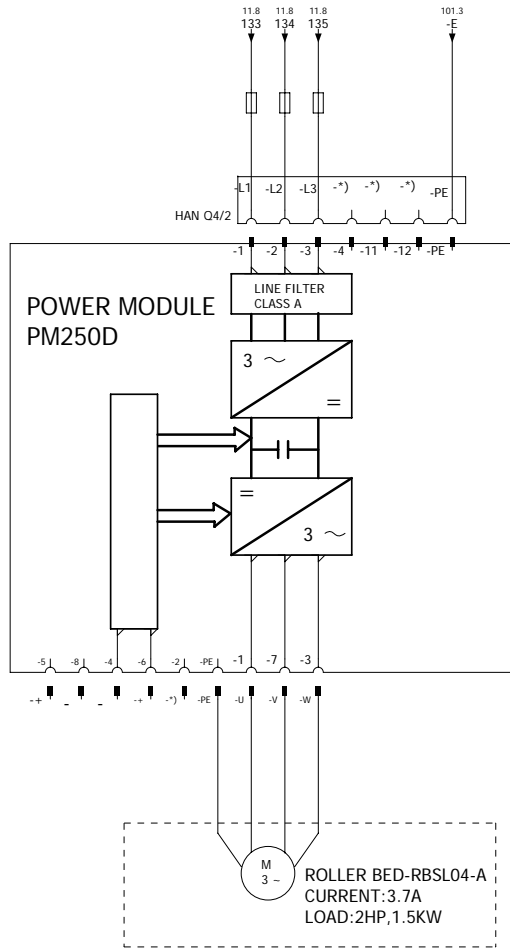
DATE	NAME
	SHITAL
CHECKED	
APPROVED	

PROJECT DESCRIPTION	TITLE
HA-382 VOLVO FRANCE	NODE-38

PROJECT CODE :-	HA-382
DRAWING NUMBER :-	

Page	101
Pages	170

**NODE-39 RBSL04-A**  
ROLLER BED DRIVE



PROFIBUS DP interface IN FROM NODE-38

PROFIBUS DP interface OUT TO NODE-40

DOCUMENT ID : CY/DD/R/07  
REV : 00

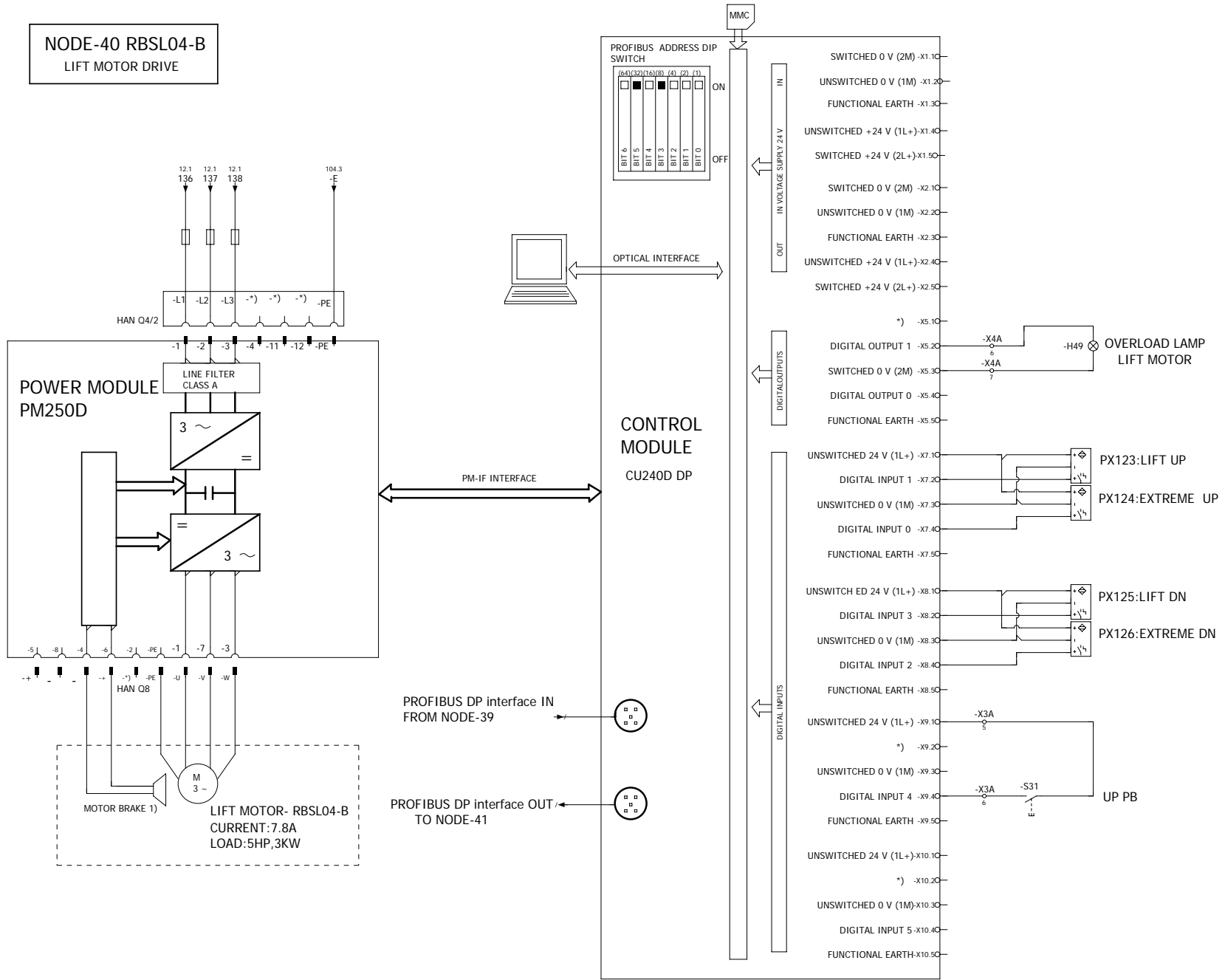
Drawn	Date	Name
Checked		SHITAL
Approved		

PROJECT DESCRIPTION	
HA-382 VOLVO FRANCE	

TITLE	
NODE-39	

PROJECT CODE :-	<b>HA-382</b>
DRAWING NUMBER :-	
Page	102
Pages	170

**NODE-40 RBSL04-B**  
LIFT MOTOR DRIVE



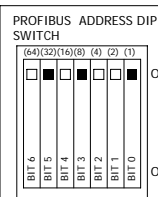
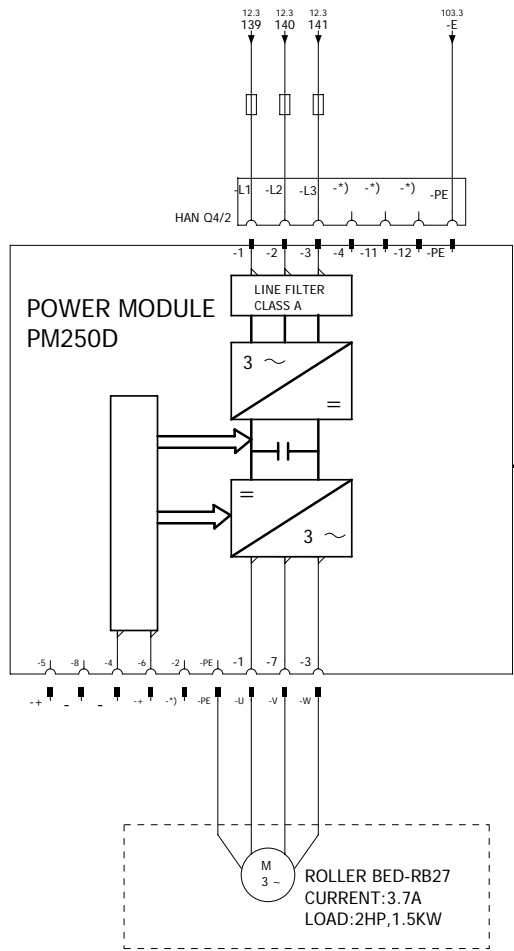
DOCUMENT ID : CY/DD/R/07  
REV : 00

Drawn	Date	Name
Checked		SHITAL
Approved		

PROJECT DESCRIPTION	TITLE
HA-382 VOLVO FRANCE	NODE-40

PROJECT CODE :-	HA-382
DRAWING NUMBER :-	

**NODE-41 RB27**  
ROLLER BED DRIVE

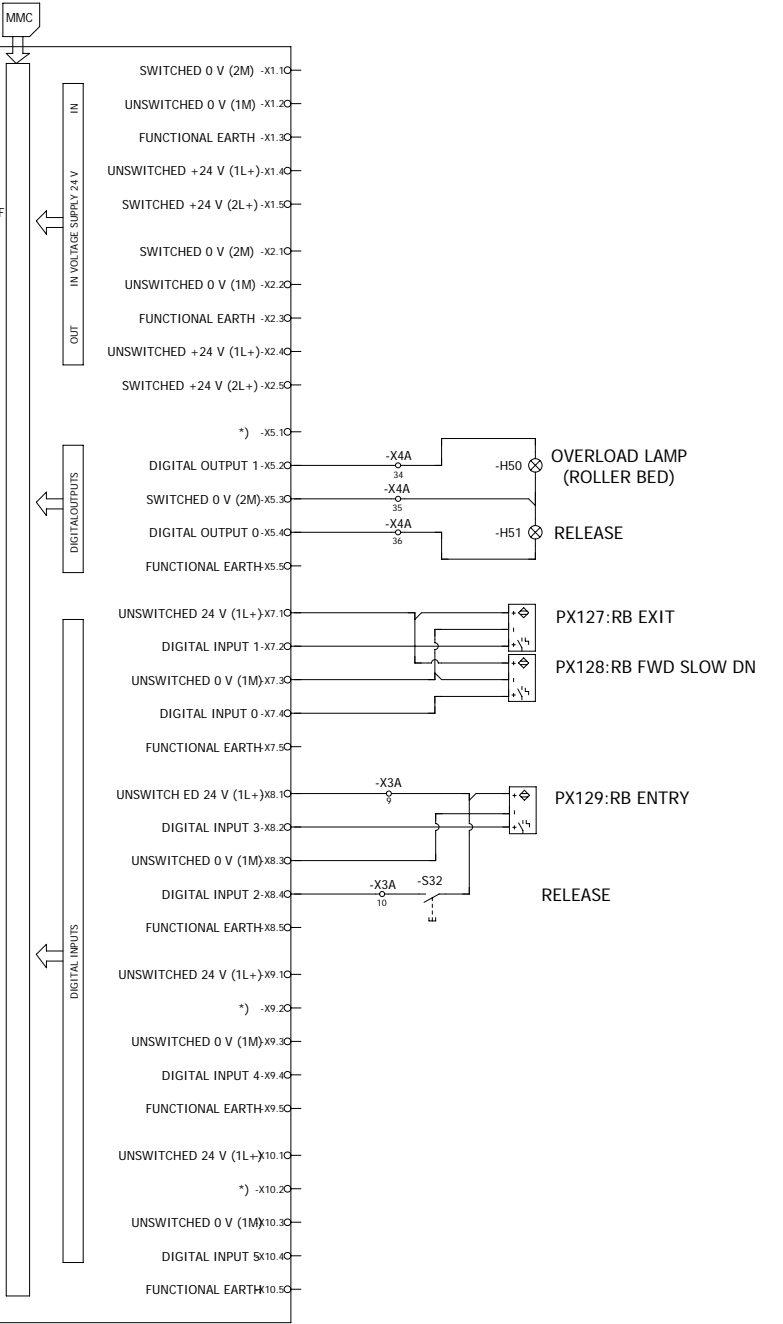


**CONTROL MODULE**  
CU240D DP

PM-IF INTERFACE

PROFIBUS DP interface IN FROM NODE-40

PROFIBUS DP interface OUT TO NODE-42



DOCUMENT ID : CY/DD/R/07

REV : 00

CYBERNETIK TECHNOLOGIES PVT.LTD, PUNE

DATE	NAME
	SHITAL
CHECKED	
APPROVED	

PROJECT DESCRIPTION

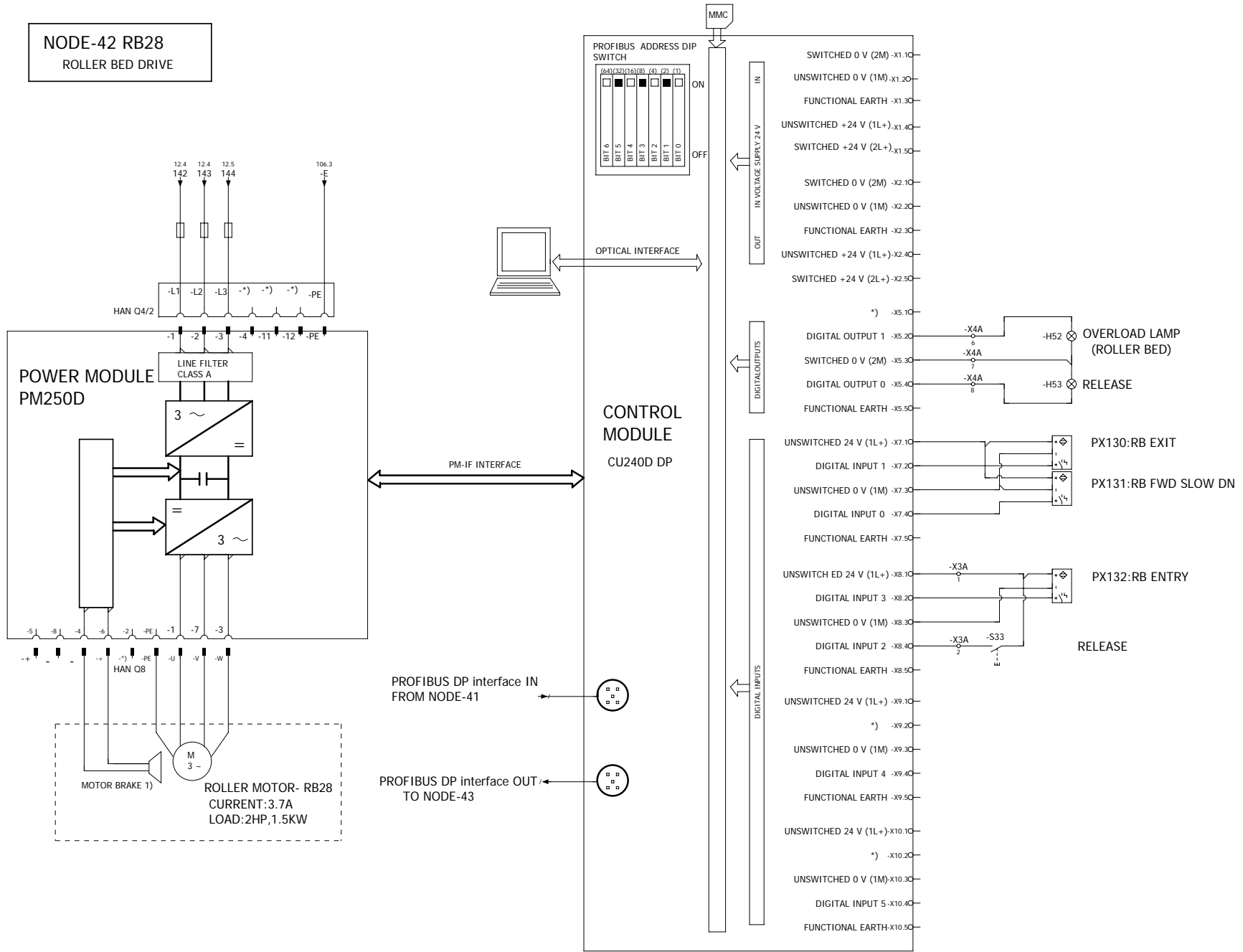
HA-382 VOLVO FRANCE

TITLE

NODE-41

PROJECT CODE :-	HA-382
DRAWING NUMBER :-	
Page	104
Pages	170

**NODE-42 RB28**  
ROLLER BED DRIVE



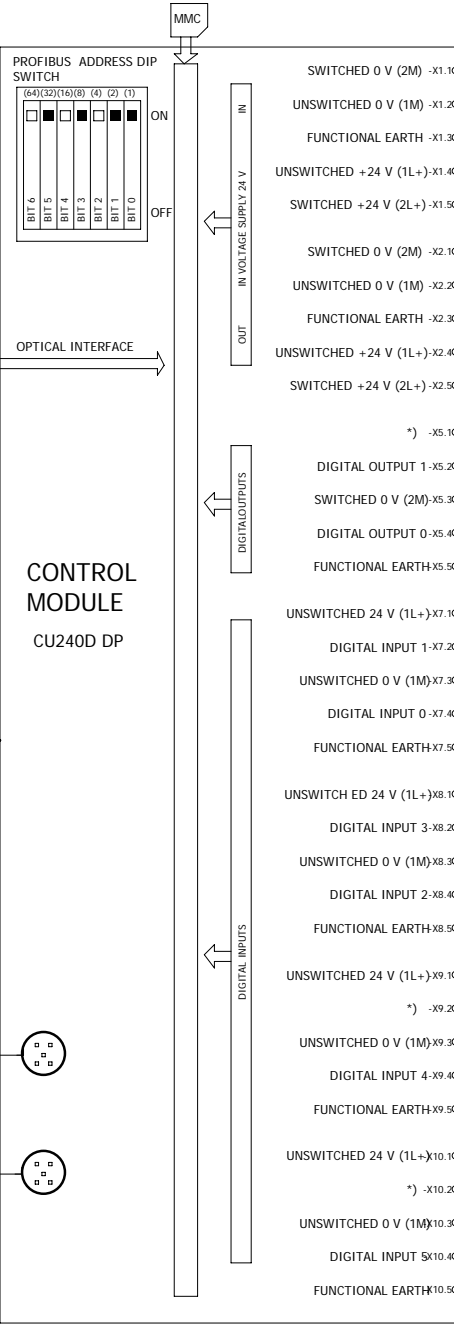
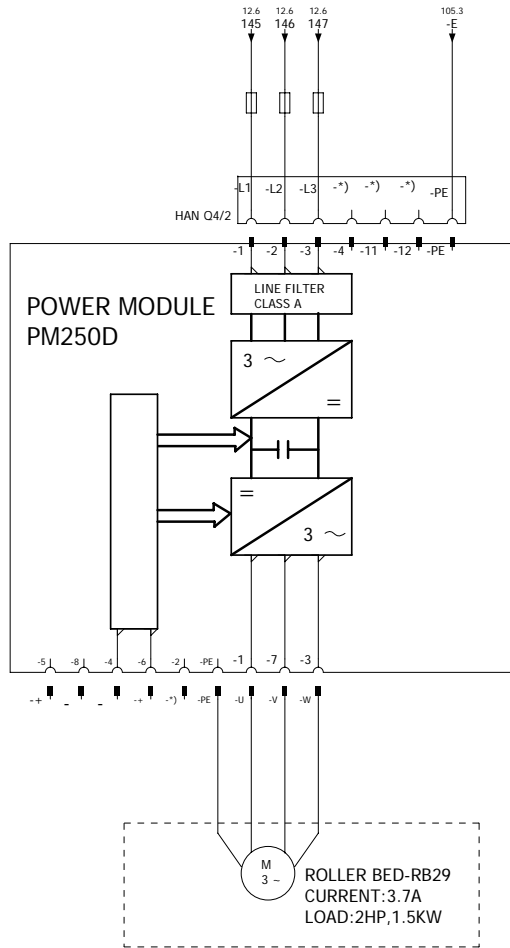
DOCUMENT ID : CY/DD/R/07  
REV : 00

Drawn	Date	Name
Checked		SHITAL
Approved		

<b>PROJECT DESCRIPTION</b>	<b>TITLE</b>
HA-382 VOLVO FRANCE	NODE-42

<b>PROJECT CODE :-</b>	<b>HA-382</b>
<b>DRAWING NUMBER :-</b>	

**NODE-43 RB29**  
ROLLER BED DRIVE



PROFIBUS DP interface IN FROM NODE-42

PROFIBUS DP interface OUT TO NODE-44

- SWITCHED 0 V (2M) -X1.1C
- UNSWITCHED 0 V (1M) -X1.2C
- FUNCTIONAL EARTH -X1.3C
- UNSWITCHED +24 V (1L+) -X1.4C
- SWITCHED +24 V (2L+) -X1.5C
- SWITCHED 0 V (2M) -X2.1C
- UNSWITCHED 0 V (1M) -X2.2C
- FUNCTIONAL EARTH -X2.3C
- UNSWITCHED +24 V (1L+) -X2.4C
- SWITCHED +24 V (2L+) -X2.5C
- \*) -X5.1C
- DIGITAL OUTPUT 1 -X5.2C
- SWITCHED 0 V (2M) -X5.3C
- DIGITAL OUTPUT 0 -X5.4C
- FUNCTIONAL EARTH -X5.5C
- UNSWITCHED 24 V (1L+) -X7.1C
- DIGITAL INPUT 1 -X7.2C
- UNSWITCHED 0 V (1M) -X7.3C
- DIGITAL INPUT 0 -X7.4C
- FUNCTIONAL EARTH -X7.5C
- UNSWITCHED 24 V (1L+) -X8.1C
- DIGITAL INPUT 3 -X8.2C
- UNSWITCHED 0 V (1M) -X8.3C
- DIGITAL INPUT 2 -X8.4C
- FUNCTIONAL EARTH -X8.5C
- UNSWITCHED 24 V (1L+) -X9.1C
- \*) -X9.2C
- UNSWITCHED 0 V (1M) -X9.3C
- DIGITAL INPUT 4 -X9.4C
- FUNCTIONAL EARTH -X9.5C
- UNSWITCHED 24 V (1L+) -X10.1C
- \*) -X10.2C
- UNSWITCHED 0 V (1M) -X10.3C
- DIGITAL INPUT 5 -X10.4C
- FUNCTIONAL EARTH -X10.5C

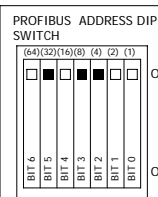
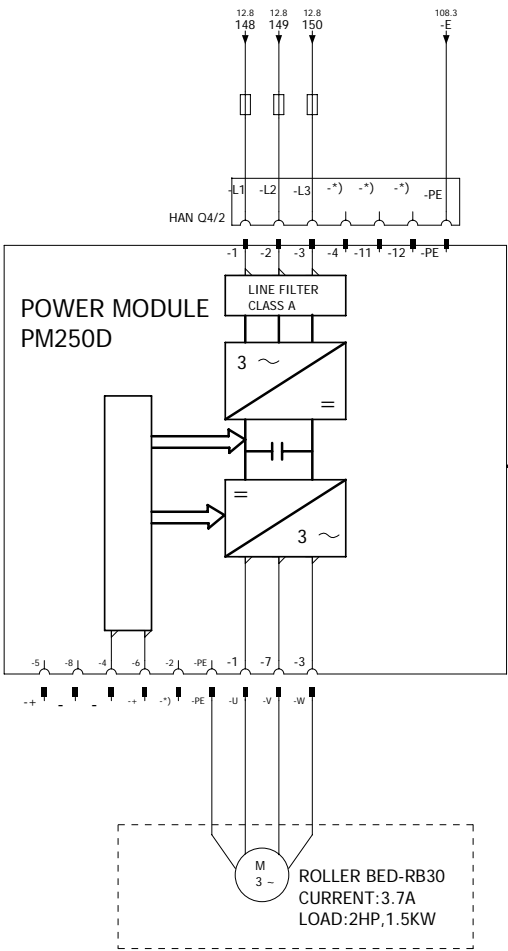
PX133:RB EXIT  
PX134:RB FWD SLOW DN  
PX135:RB ENTRY

Drawn	Date	Name
Checked		SHITAL
Approved		

PROJECT DESCRIPTION	TITLE
HA-382 VOLVO FRANCE	NODE-43

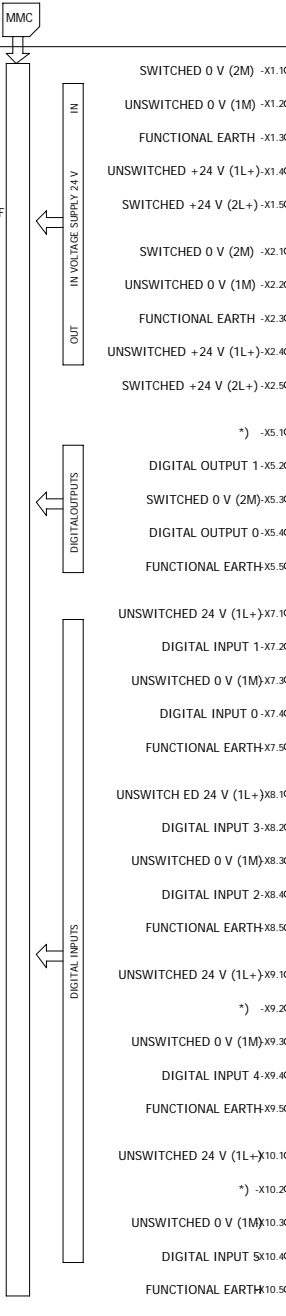
PROJECT CODE :-	HA-382
DRAWING NUMBER :-	

**NODE-44 RB30**  
ROLLER BED DRIVE



OPTICAL INTERFACE

**CONTROL MODULE**  
CU240D DP



PM-IF INTERFACE

PROFIBUS DP interface IN FROM NODE-43

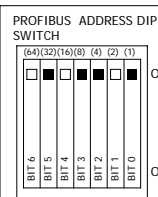
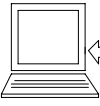
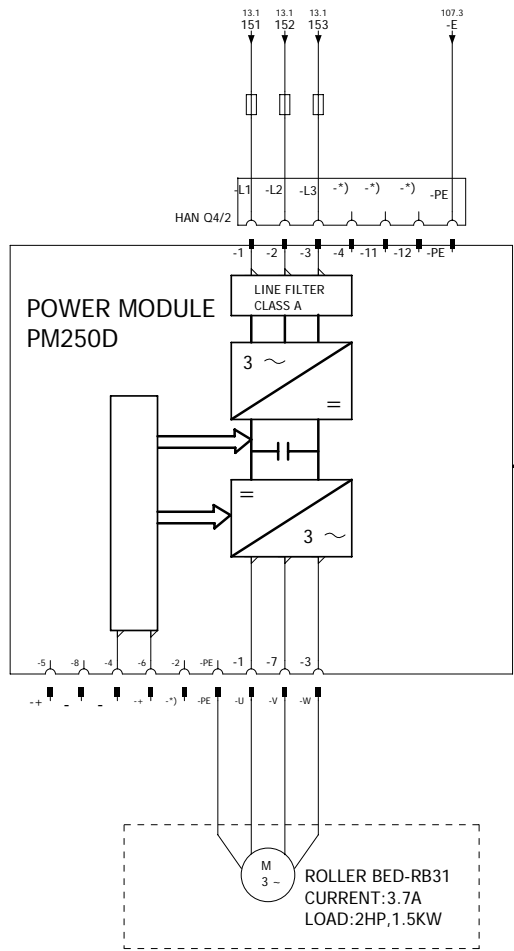
PROFIBUS DP interface OUT TO NODE-45

DOCUMENT ID : CY/DD/R/07

REV : 00

Date	Name
	SHITAL

**NODE-45 RB31**  
ROLLER BED DRIVE

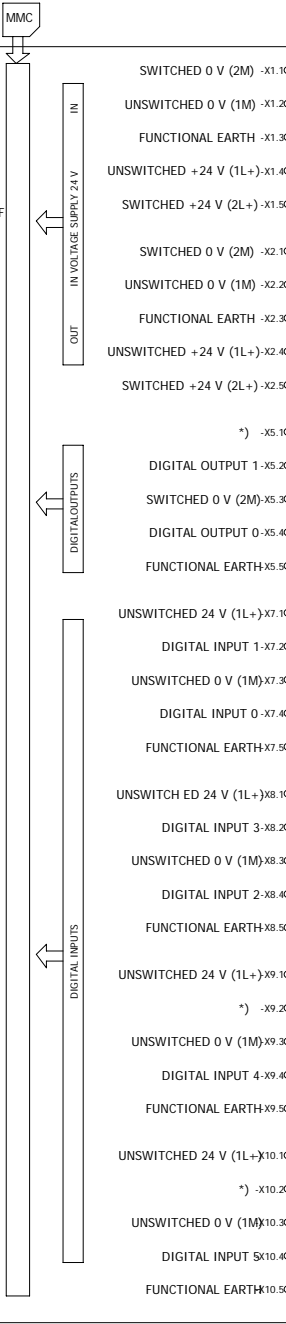


**CONTROL MODULE**  
CU240D DP

PM-IF INTERFACE

PROFIBUS DP interface IN FROM NODE-44

PROFIBUS DP interface OUT TO NODE-46



DOCUMENT ID : CY/DD/R/07

REV : 00



CYBERNETIK TECHNOLOGIES  
PVT.LTD, PUNE

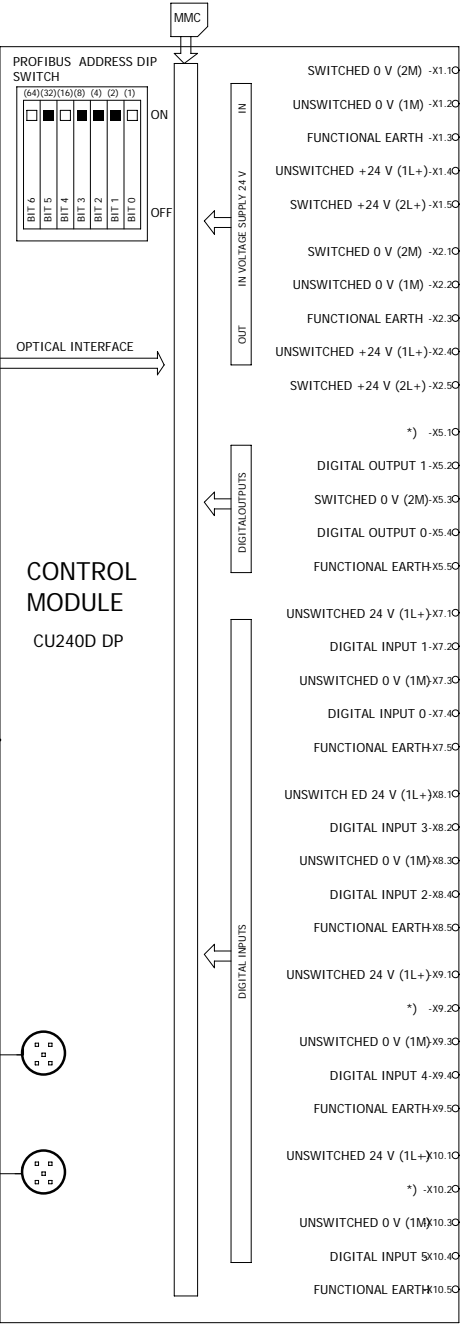
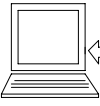
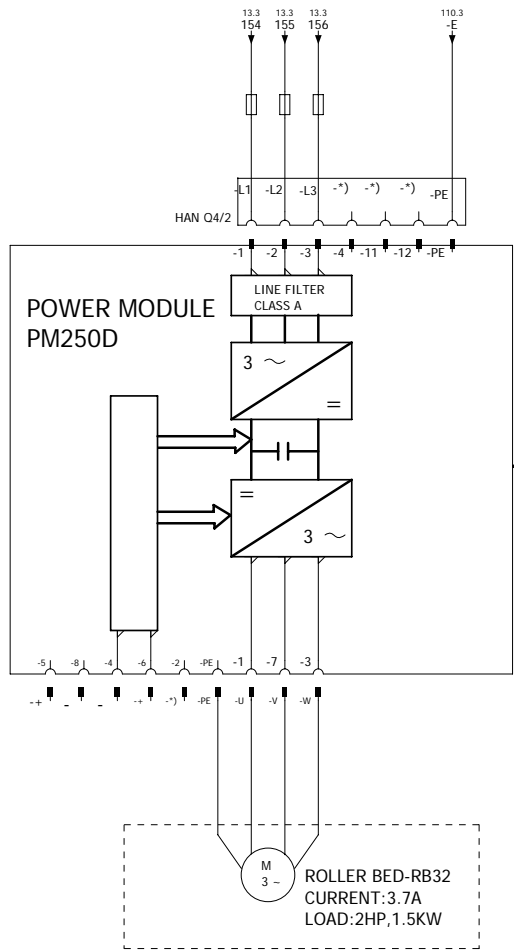
	Date	Name
DRAWN		SHITAL
CHECKED		
APPROVED		

PROJECT DESCRIPTION	TITLE
HA-382 VOLVO FRANCE	NODE-45

PROJECT CODE :-	DRAWING NUMBER :-
HA-382	

Page	Pages
108	170

**NODE-46 RB32**  
ROLLER BED DRIVE



PM-IF INTERFACE

PROFIBUS DP interface IN FROM NODE-45

PROFIBUS DP interface OUT TO NODE-47

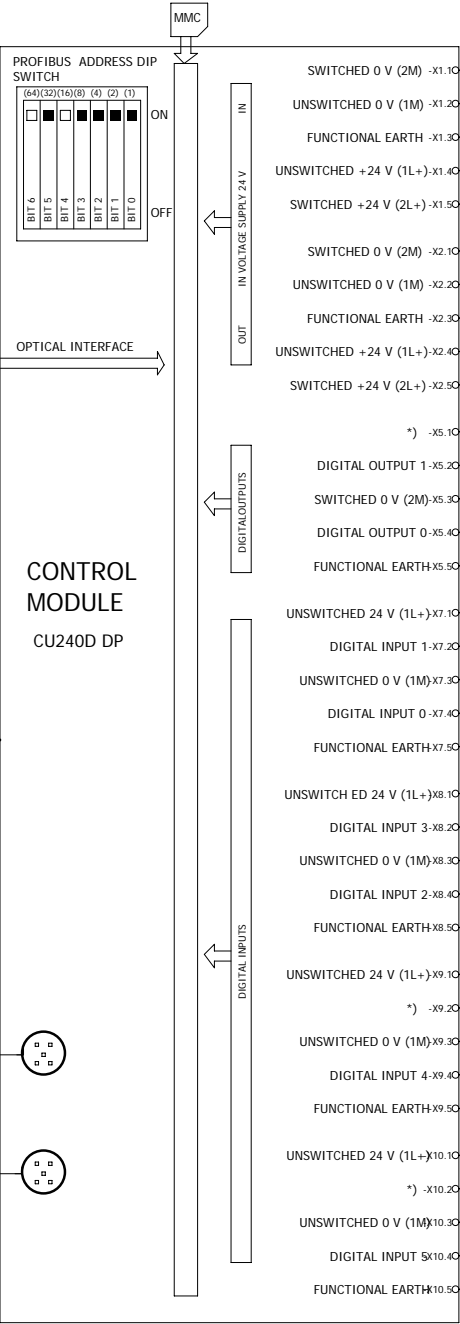
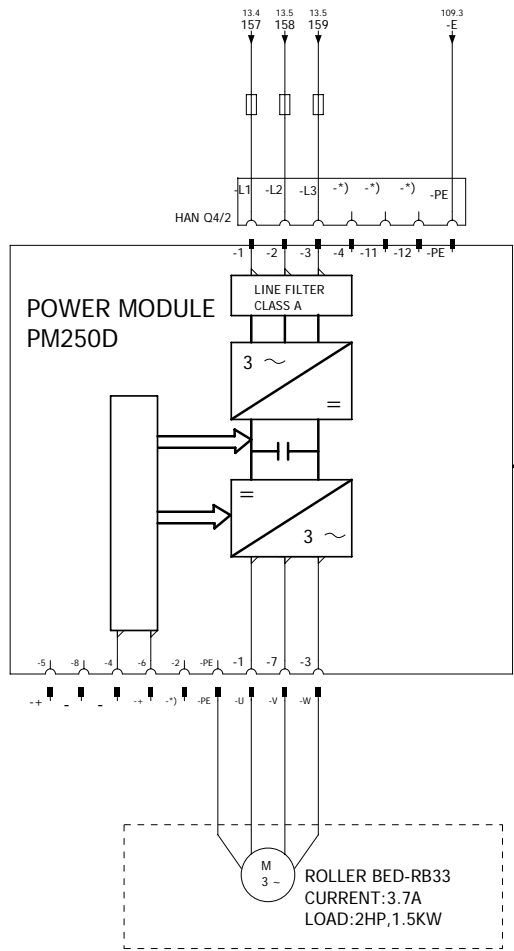
Drawn	Date	Name
CHECKED		SHITAL
APPROVED		

PROJECT DESCRIPTION
HA-382 VOLVO FRANCE

TITLE
NODE-46

PROJECT CODE :-	HA-382
DRAWING NUMBER :-	
Page	109
Pages	170

**NODE-47 RB33**  
ROLLER BED DRIVE



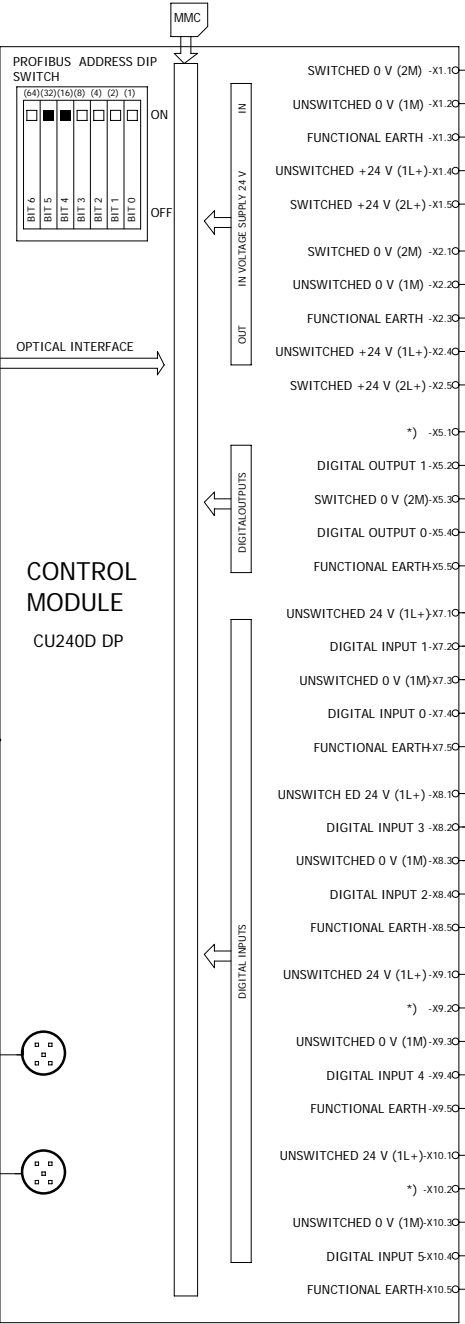
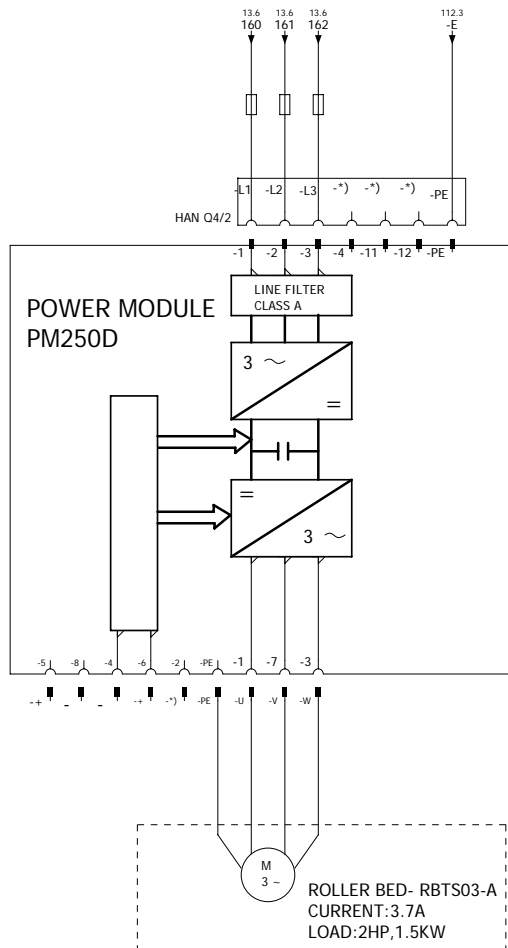
- SWITCHED 0 V (2M) -X1.10
- UNSWITCHED 0 V (1M) -X1.20
- FUNCTIONAL EARTH -X1.30
- UNSWITCHED +24 V (1L+) -X1.40
- SWITCHED +24 V (2L+) -X1.50
- SWITCHED 0 V (2M) -X2.10
- UNSWITCHED 0 V (1M) -X2.20
- FUNCTIONAL EARTH -X2.30
- UNSWITCHED +24 V (1L+) -X2.40
- SWITCHED +24 V (2L+) -X2.50
- \*) -X5.10
- DIGITAL OUTPUT 1 -X5.20
- SWITCHED 0 V (2M) -X5.30
- DIGITAL OUTPUT 0 -X5.40
- FUNCTIONAL EARTH -X5.50
- UNSWITCHED 24 V (1L+) -X7.10
- DIGITAL INPUT 1 -X7.20
- UNSWITCHED 0 V (1M) -X7.30
- DIGITAL INPUT 0 -X7.40
- FUNCTIONAL EARTH -X7.50
- UNSWITCHED 24 V (1L+) -X8.10
- DIGITAL INPUT 3 -X8.20
- UNSWITCHED 0 V (1M) -X8.30
- DIGITAL INPUT 2 -X8.40
- FUNCTIONAL EARTH -X8.50
- UNSWITCHED 24 V (1L+) -X9.10
- \*) -X9.20
- UNSWITCHED 0 V (1M) -X9.30
- DIGITAL INPUT 4 -X9.40
- FUNCTIONAL EARTH -X9.50
- UNSWITCHED 24 V (1L+) -X10.10
- \*) -X10.20
- UNSWITCHED 0 V (1M) -X10.30
- DIGITAL INPUT 5 -X10.40
- FUNCTIONAL EARTH -X10.50

- PX145:RB EXIT
- PX146:RB FWD SLOW DN
- PX147:RB ENTRY

DOCUMENT ID : CY/DD/R/07  
REV : 00

	DRAWN CHECKED APPROVED	Date Name SHITAL	PROJECT DESCRIPTION HA-382 VOLVO FRANCE	TITLE NODE-47	PROJECT CODE :- HA-382	DRAWING NUMBER :-	Page 110 Pages 170
--	------------------------------	------------------------	--	------------------	---------------------------	-------------------	-----------------------

**NODE-48 RBTS03-A**  
ROLLER BED DRIVE



PM-IF INTERFACE

PROFIBUS DP interface IN FROM NODE-47

PROFIBUS DP interface OUT TO NODE-49

PX148:RB EXIT

PX149:RB FWD SLOW DN

PX150:RB ENTRY



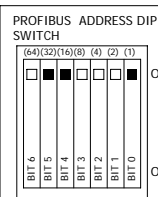
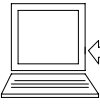
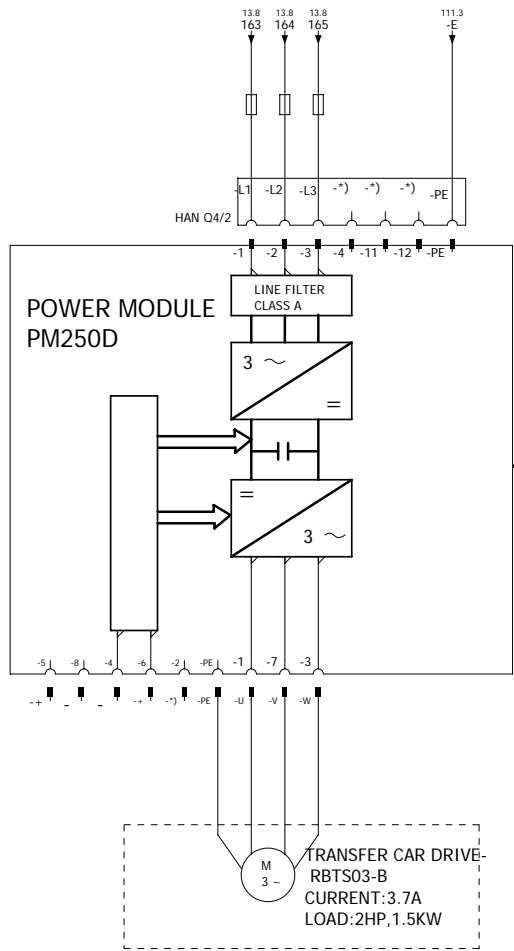
Drawn	Date	Name
Checked		SHITAL
Approved		

PROJECT DESCRIPTION	TITLE
HA-382 VOLVO FRANCE	NODE-48

PROJECT CODE :-	HA-382
DRAWING NUMBER :-	

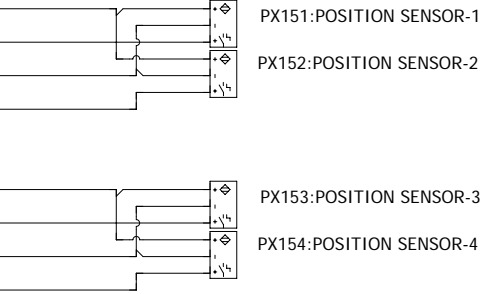
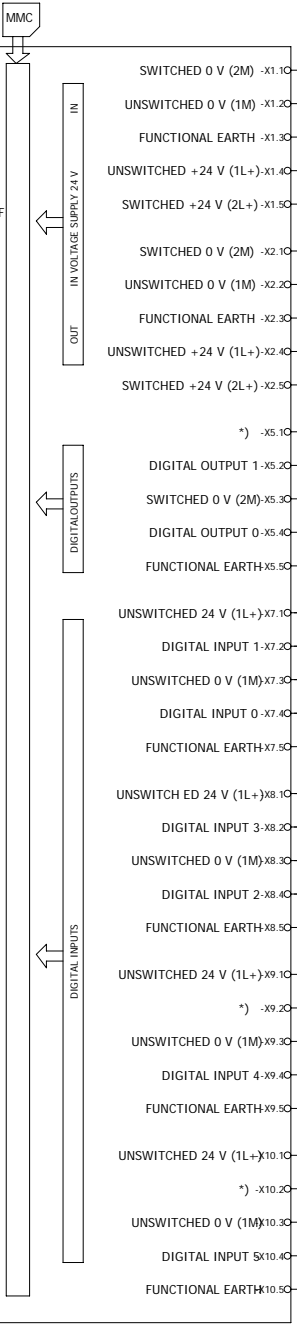
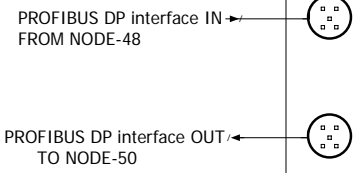
Page	111
Pages	170

**NODE-49 RBTS03-B**  
TRANSFER CAR DRIVE



**CONTROL MODULE**  
CU240D DP

PM-IF INTERFACE



DOCUMENT ID : CY/DD/R/07

REV : 00



CYBERNETIK TECHNOLOGIES  
PVT.LTD, PUNE

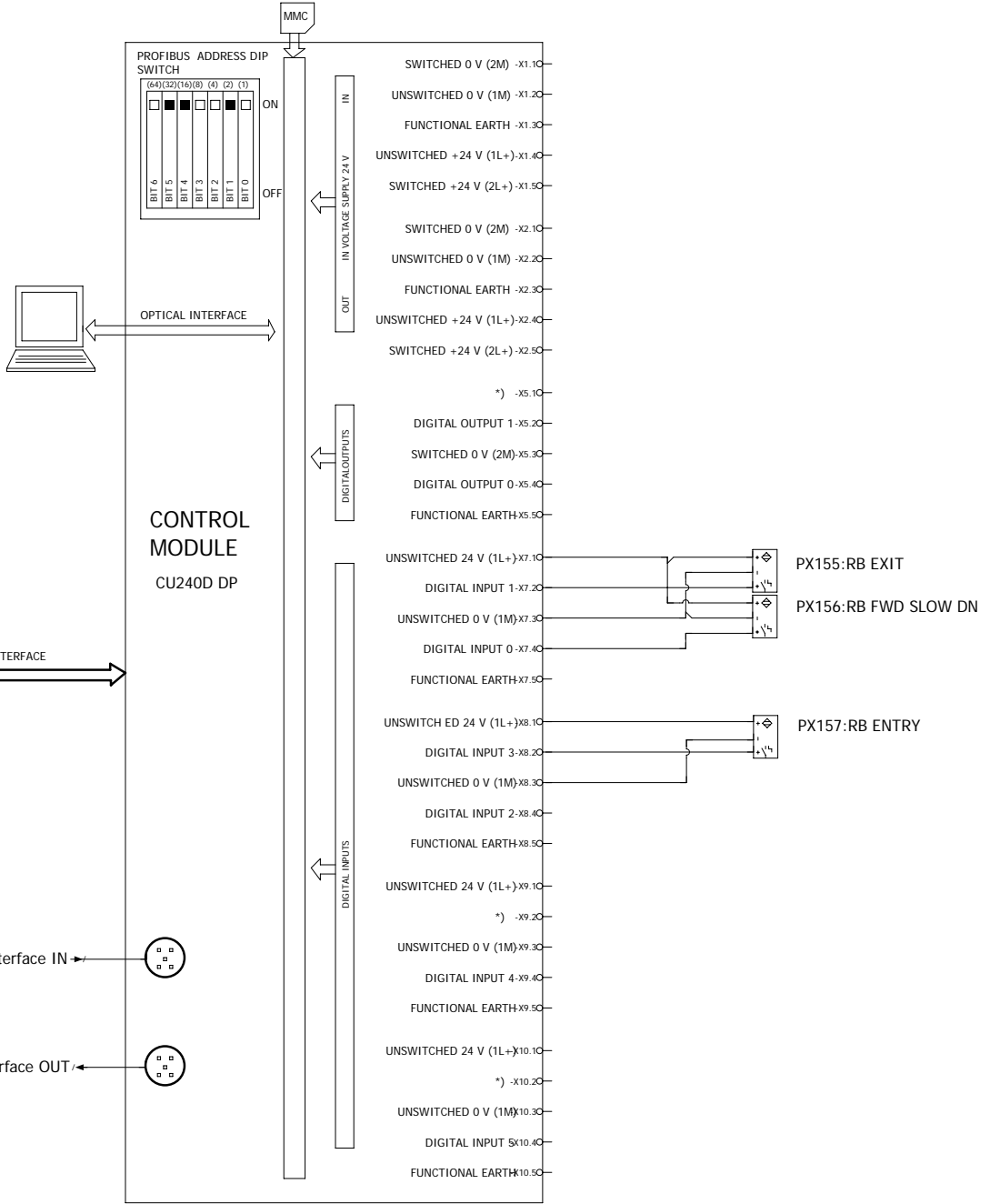
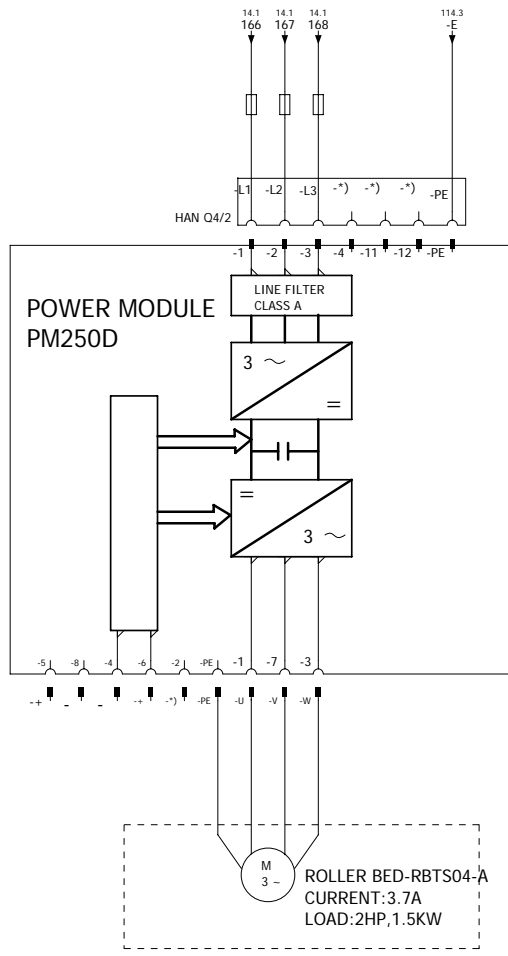
	Date	Name
DRAWN		SHITAL
CHECKED		
APPROVED		

PROJECT DESCRIPTION	TITLE
HA-382 VOLVO FRANCE	NODE-49

PROJECT CODE :-	DRAWING NUMBER :-
HA-382	

Page	Pages
112	170

**NODE-50 RBTS04-A**  
ROLLER BED DRIVE



DOCUMENT ID : CY/DD/R/07

REV : 00



CYBERNETIK TECHNOLOGIES  
PVT.LTD, PUNE

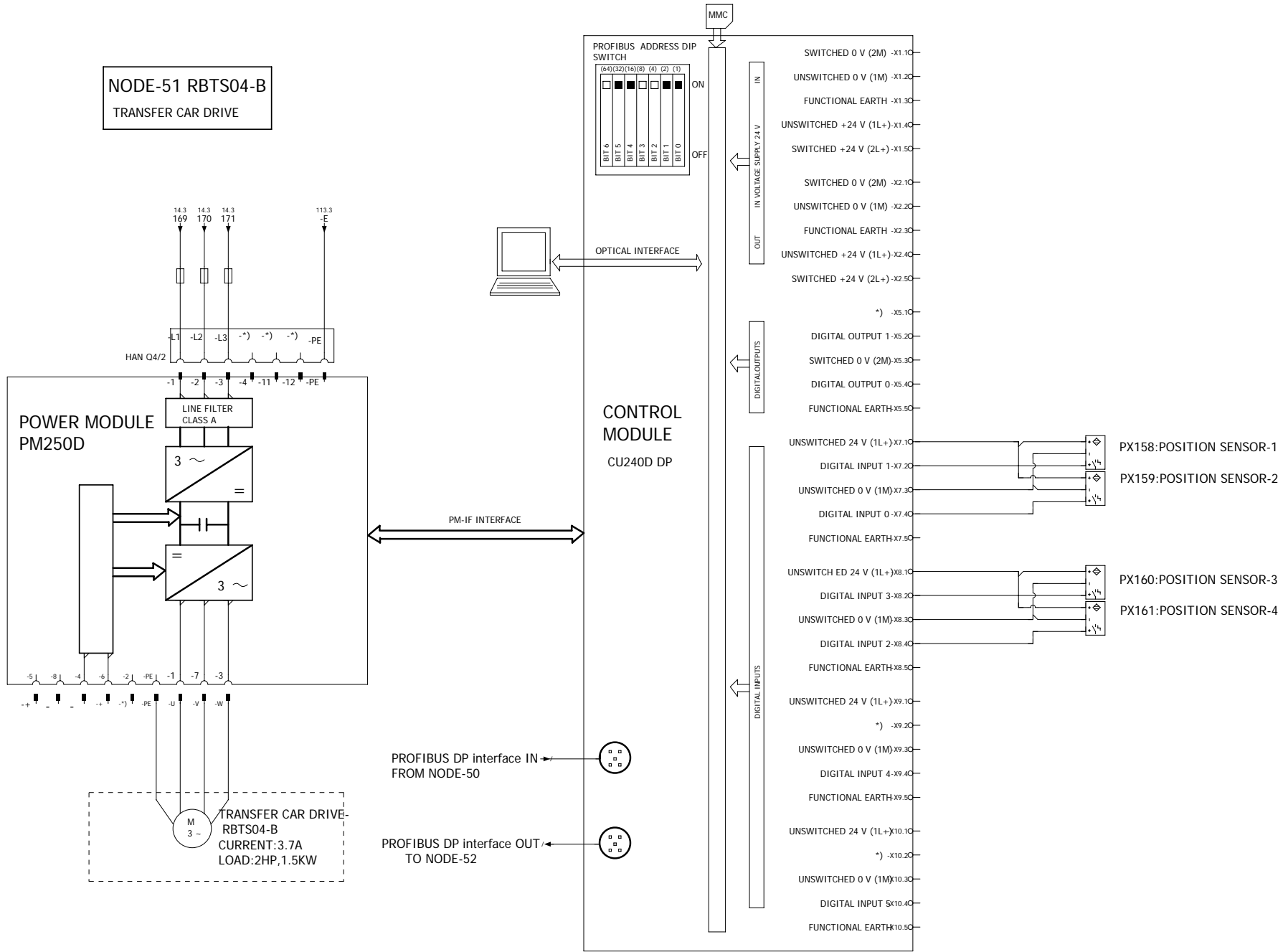
	Date	Name
DRAWN		SHITAL
CHECKED		
APPROVED		

PROJECT DESCRIPTION	TITLE
HA-382 VOLVO FRANCE	NODE-50

PROJECT CODE :-	DRAWING NUMBER :-
HA-382	

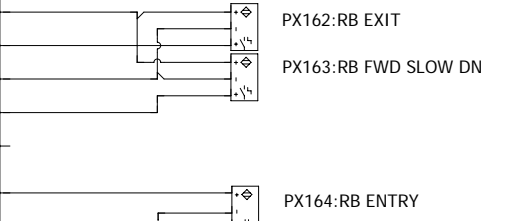
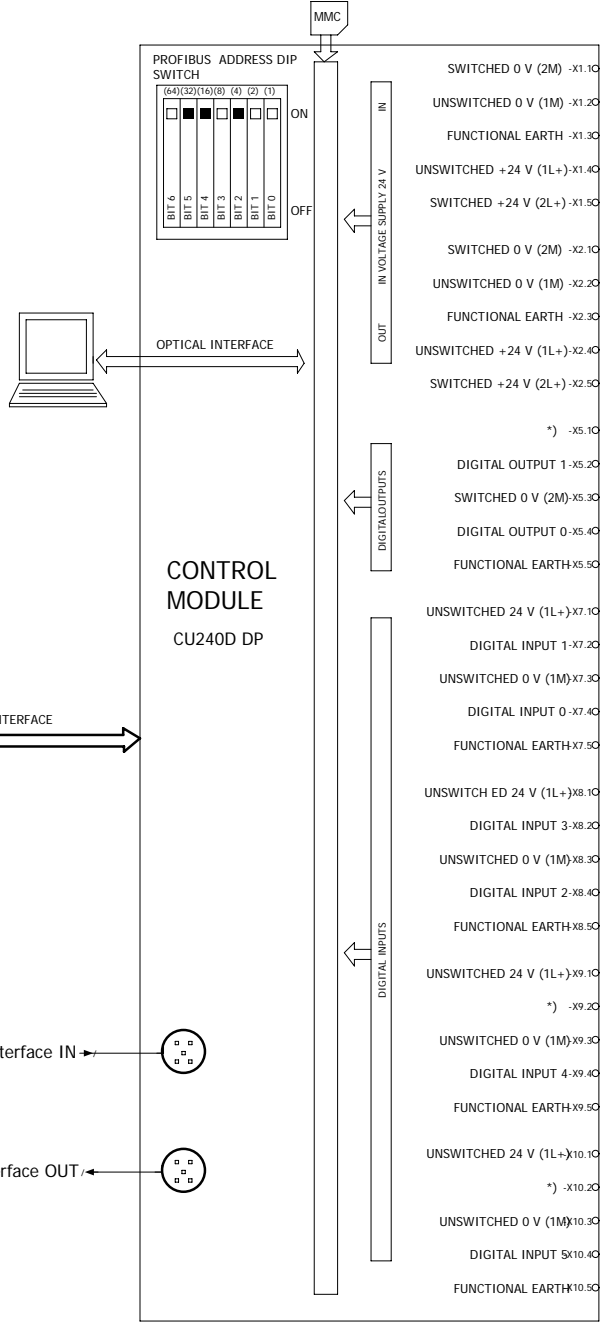
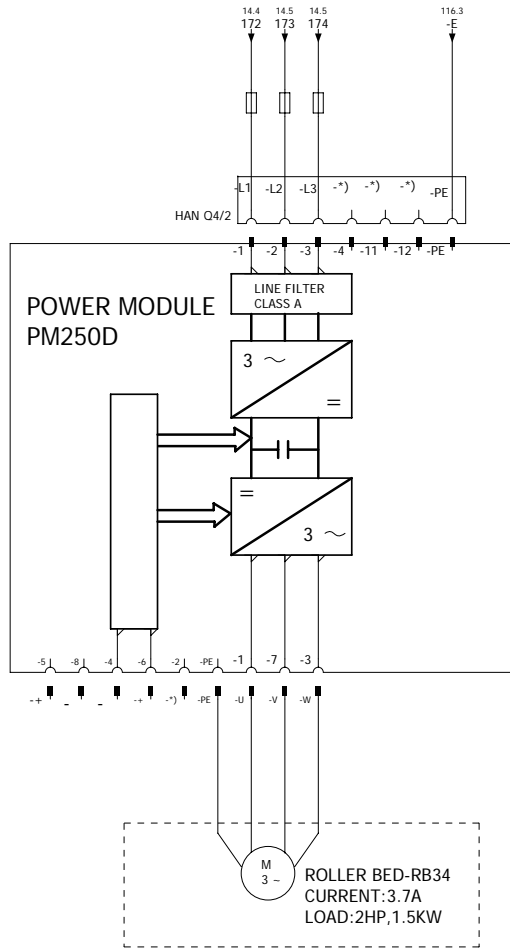
Page	113
Pages	170

**NODE-51 RBTS04-B**  
TRANSFER CAR DRIVE



DOCUMENT ID : CY/DD/R/07  
REV : 00

**NODE-52 RB34**  
ROLLER BED DRIVE



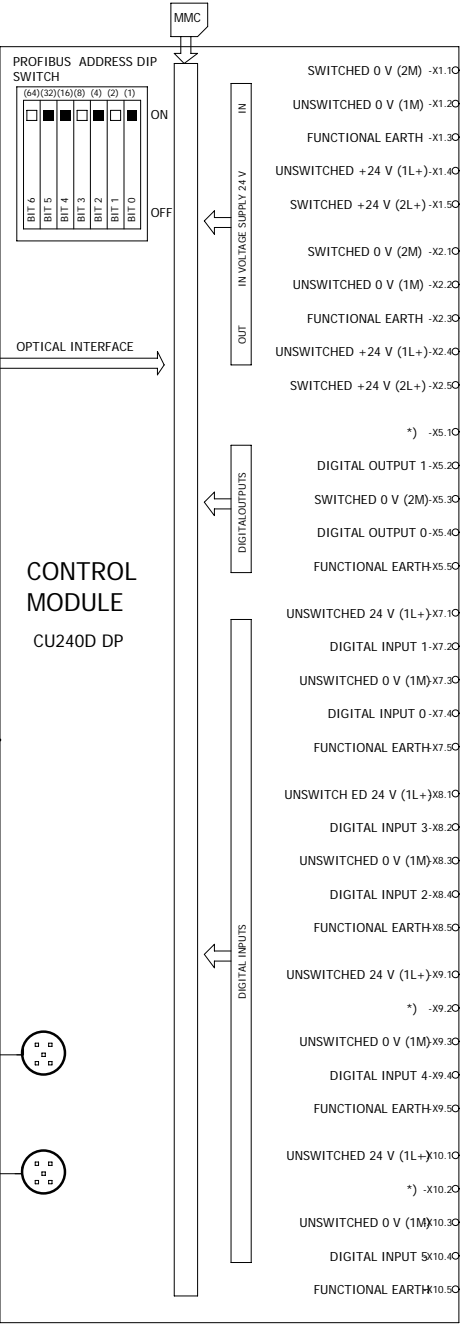
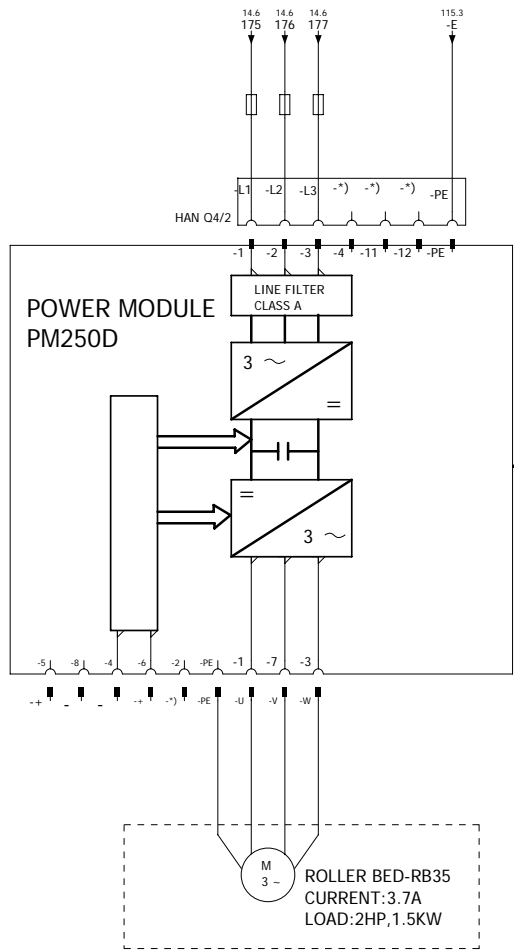
DOCUMENT ID : CY/DD/R/07  
REV : 00

Drawn	Date	Name
Checked		SHITAL
Approved		

PROJECT DESCRIPTION	TITLE
HA-382 VOLVO FRANCE	NODE-52

PROJECT CODE :-	HA-382
DRAWING NUMBER :-	

**NODE-53 RB35**  
ROLLER BED DRIVE



PM-IF INTERFACE

PROFIBUS DP interface IN FROM NODE-52

PROFIBUS DP interface OUT TO NODE-54

DOCUMENT ID : CY/DD/R/07  
REV : 00



CYBERNETIK TECHNOLOGIES  
PVT.LTD, PUNE

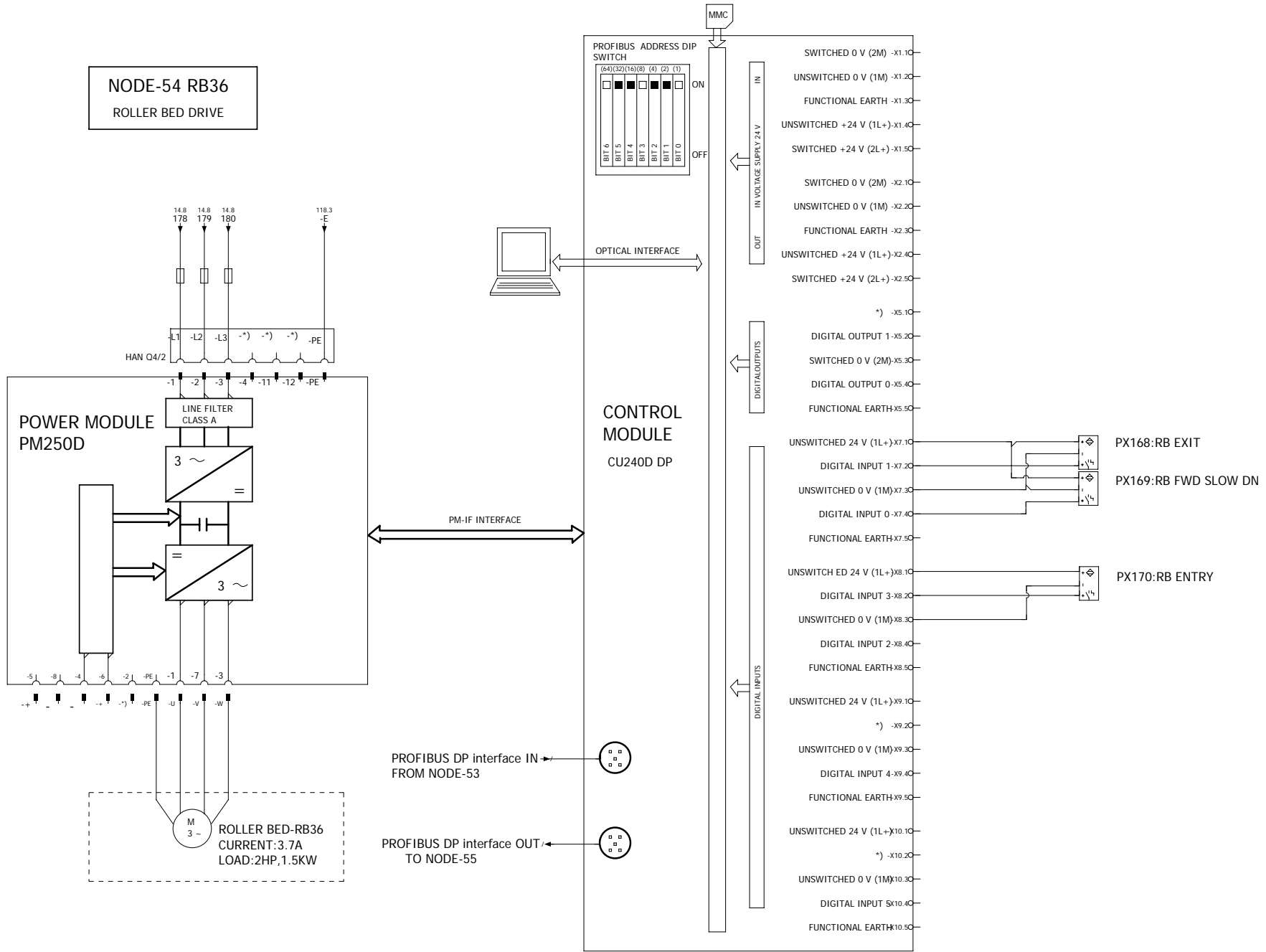
	Date	Name
DRAWN		SHITAL
CHECKED		
APPROVED		

PROJECT DESCRIPTION	TITLE
HA-382 VOLVO FRANCE	NODE-53

PROJECT CODE :-	DRAWING NUMBER :-
HA-382	

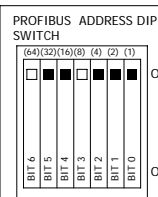
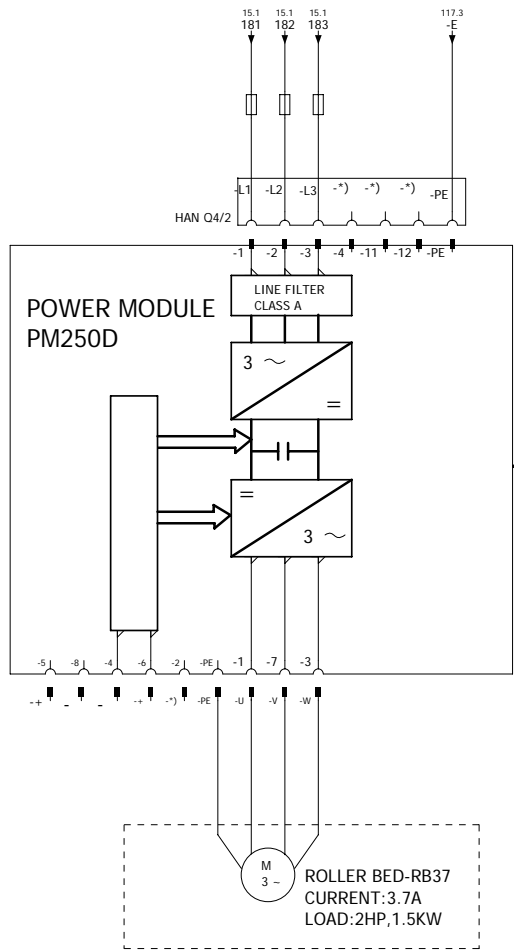
Page	116
Pages	170

**NODE-54 RB36**  
ROLLER BED DRIVE



DOCUMENT ID : CY/DD/R/07  
REV : 00

**NODE-55 RB37**  
ROLLER BED DRIVE

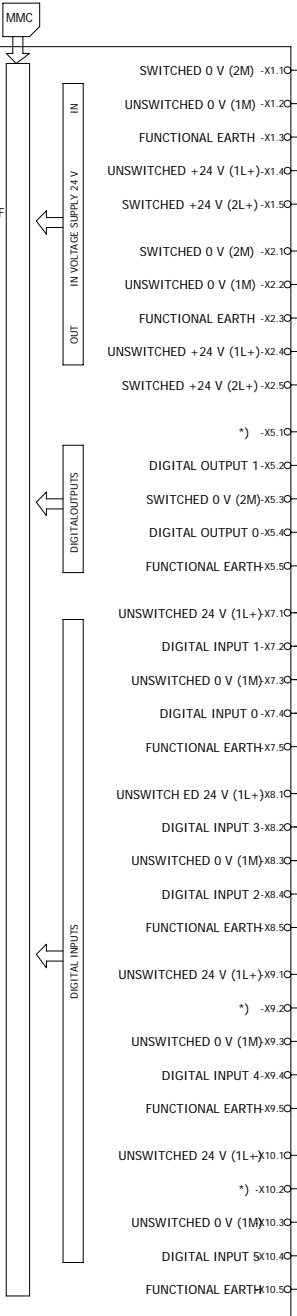


**CONTROL MODULE**  
CU240D DP

PM-IF INTERFACE

PROFIBUS DP interface IN FROM NODE-54

PROFIBUS DP interface OUT TO NODE-56



PX171:RB EXIT

PX172:RB FWD SLOW DN

PX173:RB ENTRY



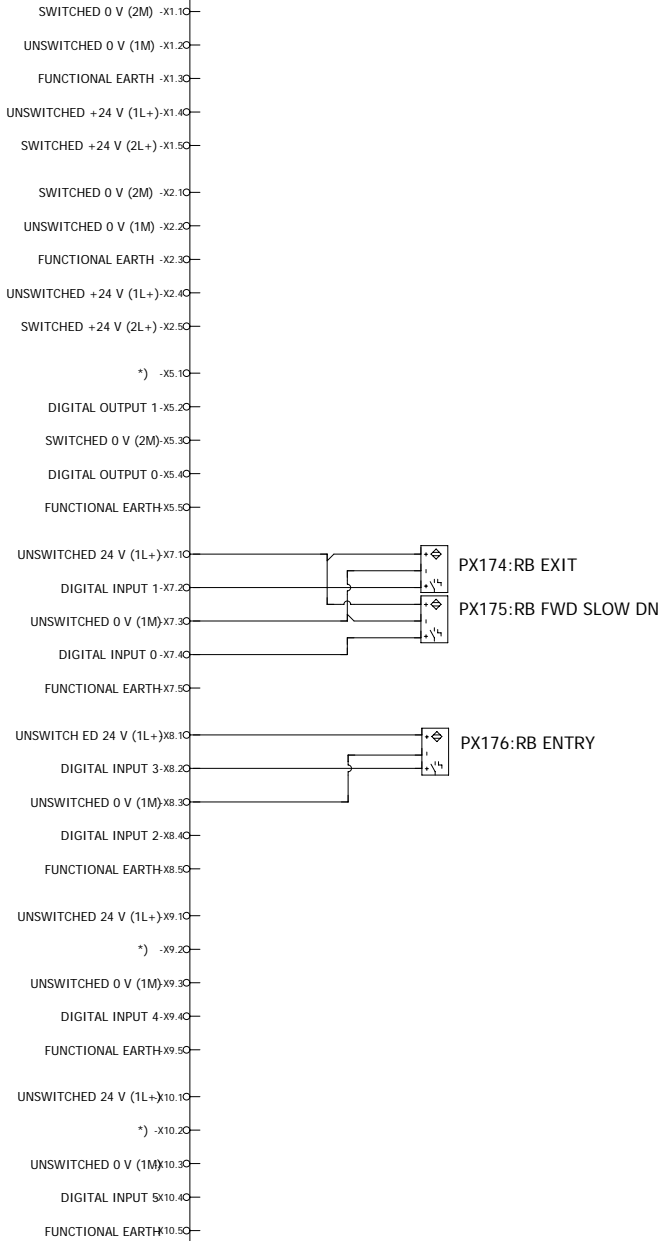
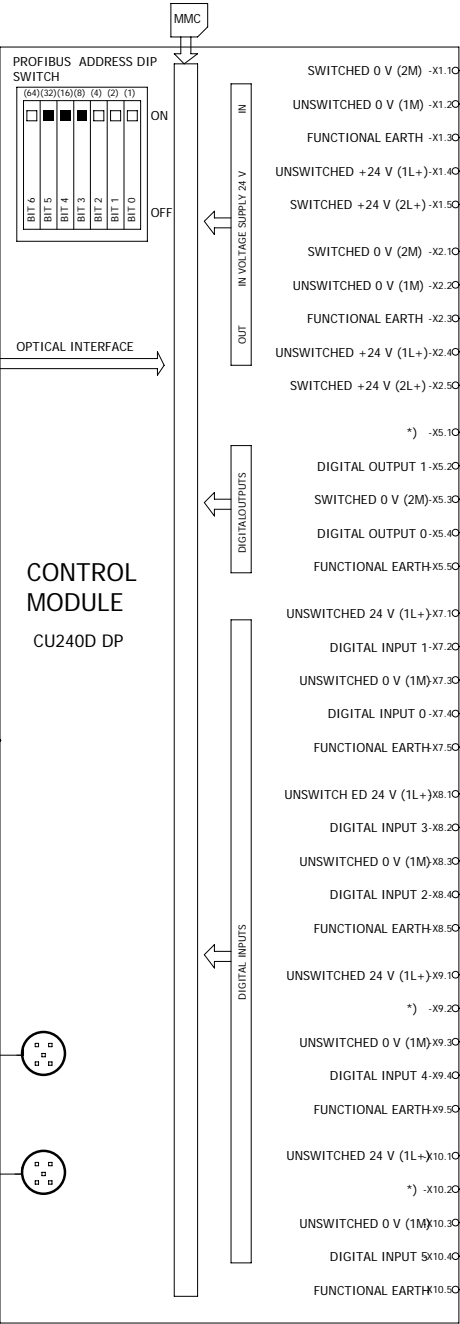
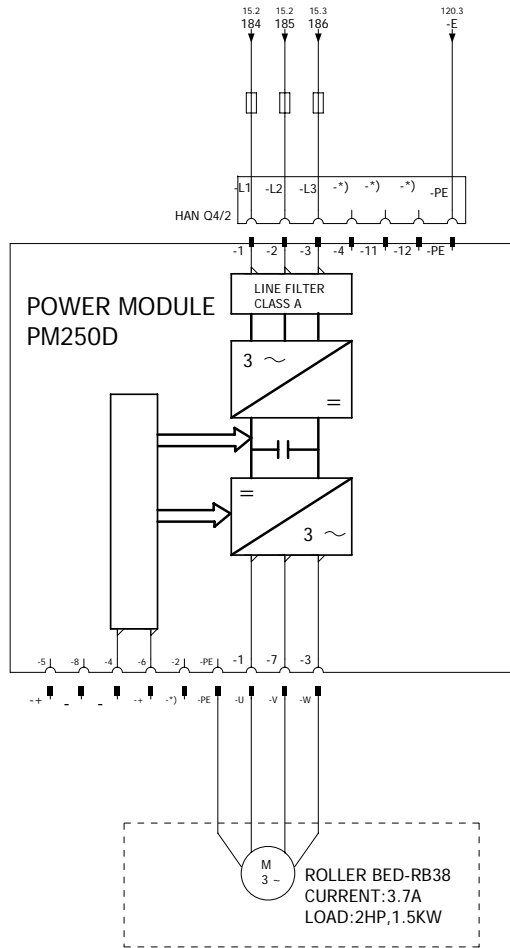
	Date	Name
DRAWN		SHITAL
CHECKED		
APPROVED		

PROJECT DESCRIPTION	TITLE
HA-382 VOLVO FRANCE	NODE-55

PROJECT CODE :-	DRAWING NUMBER :-
HA-382	

Page	Pages
118	170

**NODE-56 RB38**  
ROLLER BED DRIVE



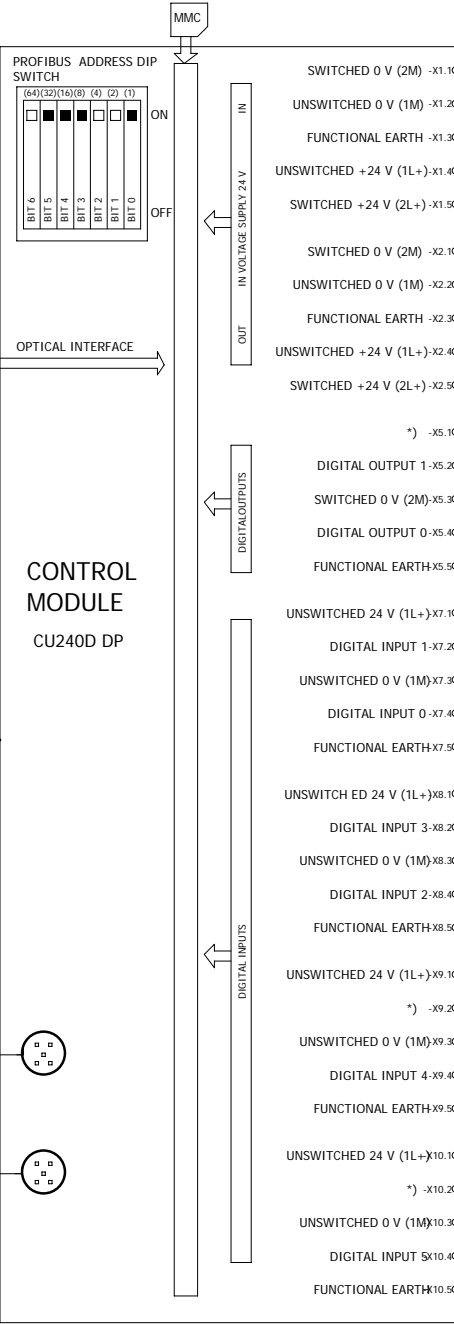
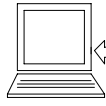
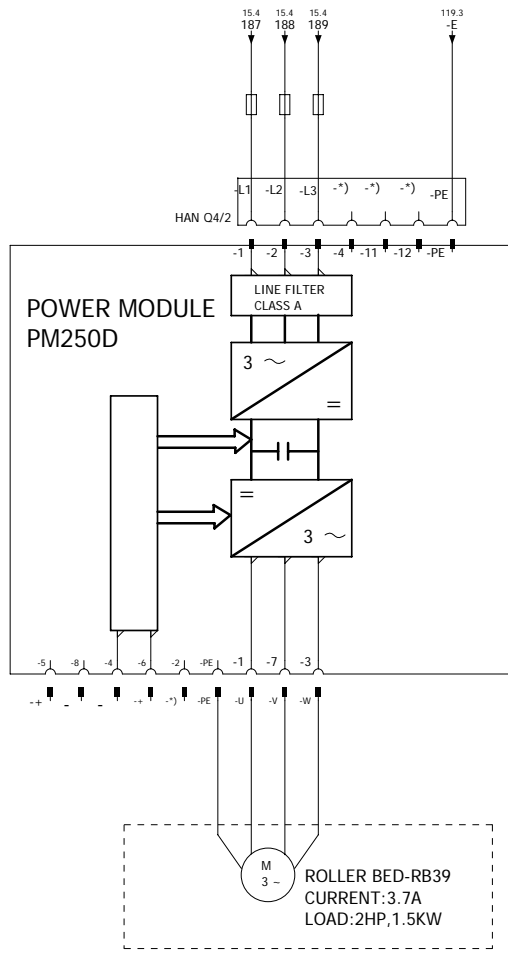
DOCUMENT ID : CY/DD/R/07  
REV : 00

Drawn	Date	Name
Checked		SHITAL
Approved		

PROJECT DESCRIPTION	TITLE
HA-382 VOLVO FRANCE	NODE-56

PROJECT CODE :-	HA-382
DRAWING NUMBER :-	

**NODE-57 RB39**  
ROLLER BED DRIVE



PROFIBUS DP interface IN FROM NODE-56

PROFIBUS DP interface OUT TO NODE-58

DOCUMENT ID : CY/DD/R/07

REV : 00



CYBERNETIK TECHNOLOGIES  
PVT.LTD, PUNE

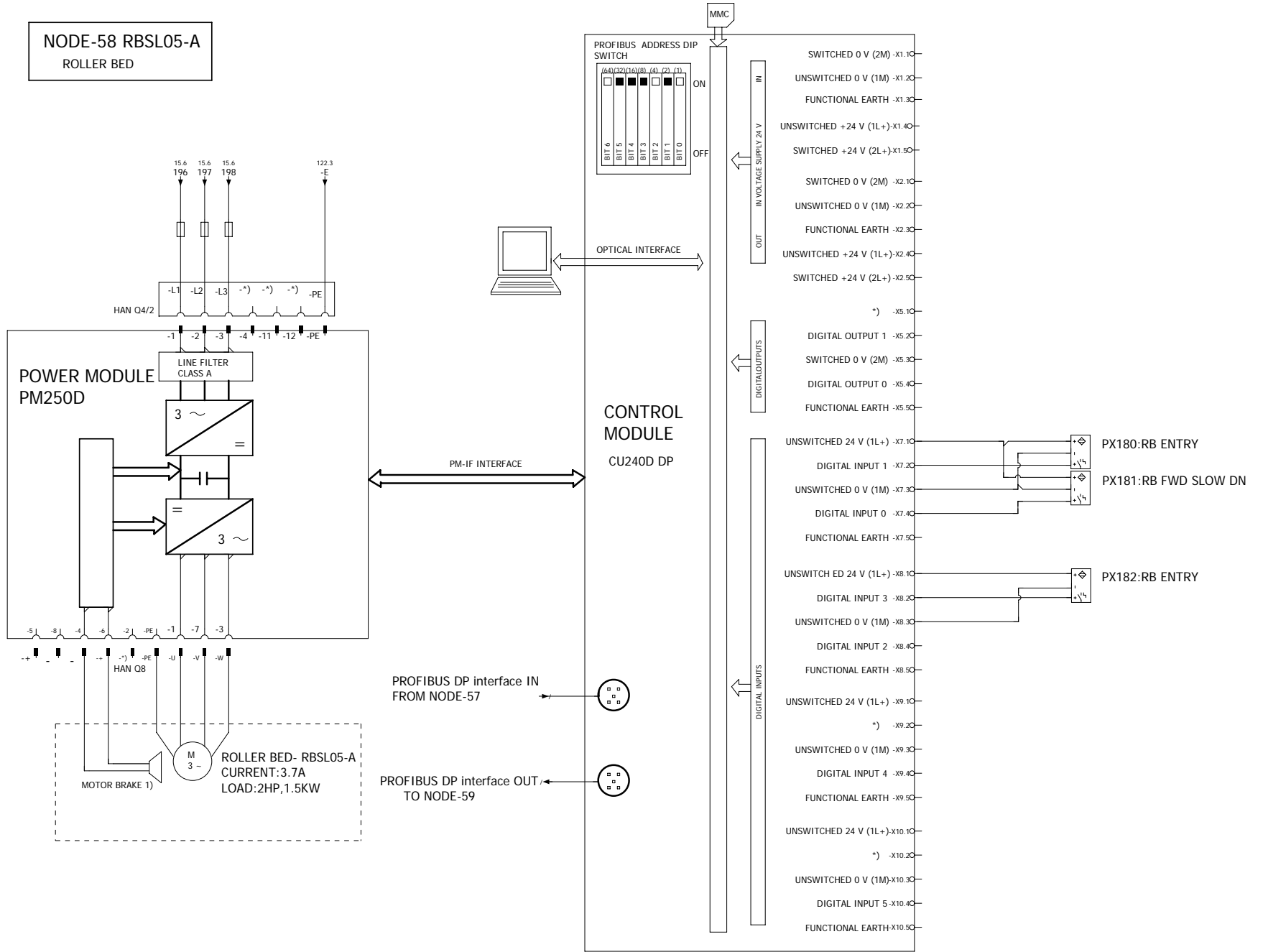
	Date	Name
DRAWN		SHITAL
CHECKED		
APPROVED		

PROJECT DESCRIPTION	TITLE
HA-382 VOLVO FRANCE	NODE-57

PROJECT CODE :-	DRAWING NUMBER :-
HA-382	

Page	Pages
120	170

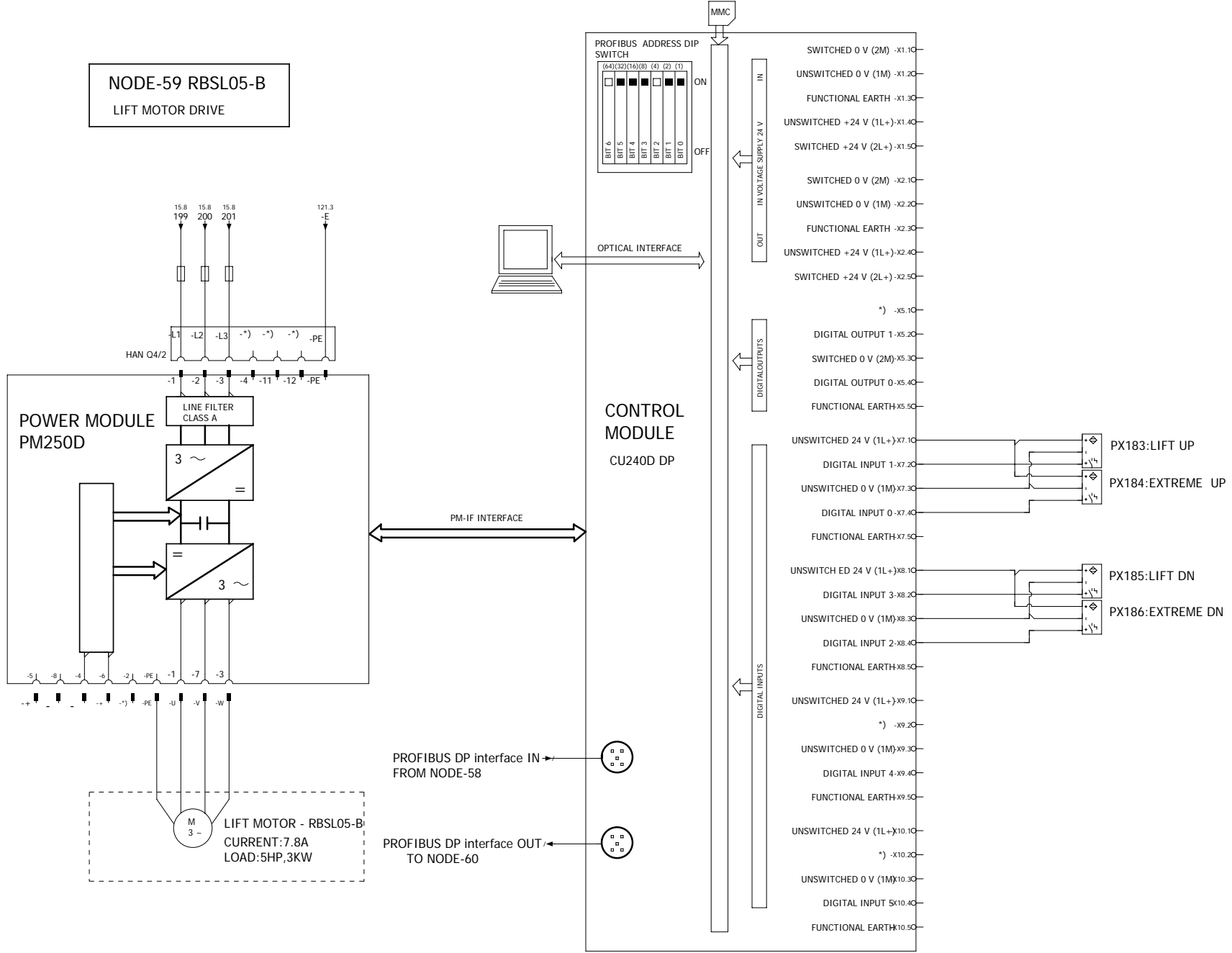
**NODE-58 RBSL05-A**  
ROLLER BED



DOCUMENT ID : CY/DD/R/07  
REV : 00

Drawn	Date	Name
Checked		SHITAL
Approved		

**NODE-59 RBSL05-B**  
LIFT MOTOR DRIVE



DOCUMENT ID : CY/DD/R/07  
REV : 00

CYBERNETIK TECHNOLOGIES  
PVT.LTD, PUNE

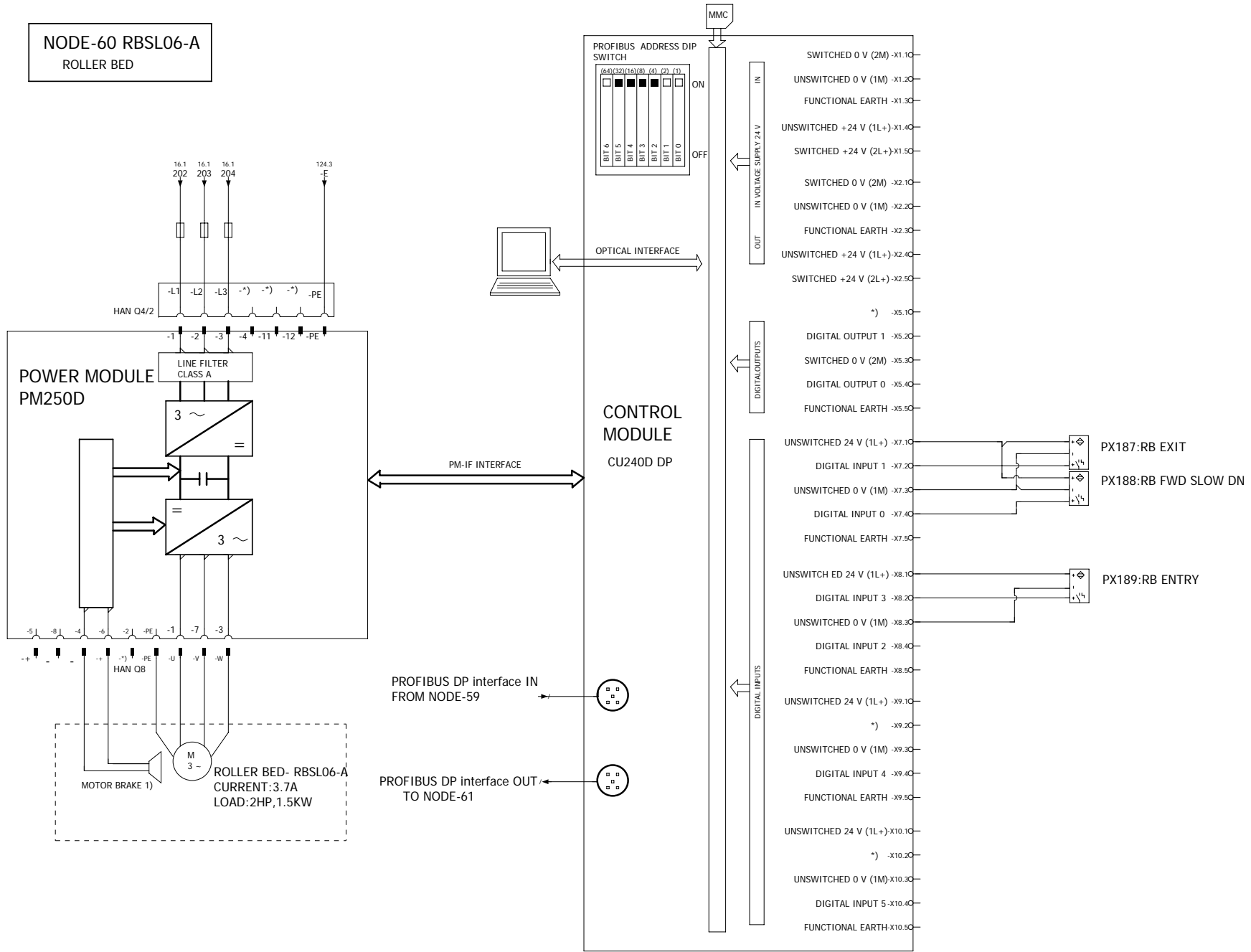
Drawn	Date	Name
Checked		SHITAL
Approved		

PROJECT DESCRIPTION  
HA-382 VOLVO FRANCE

TITLE  
NODE-59

PROJECT CODE :- **HA-382**  
DRAWING NUMBER :-

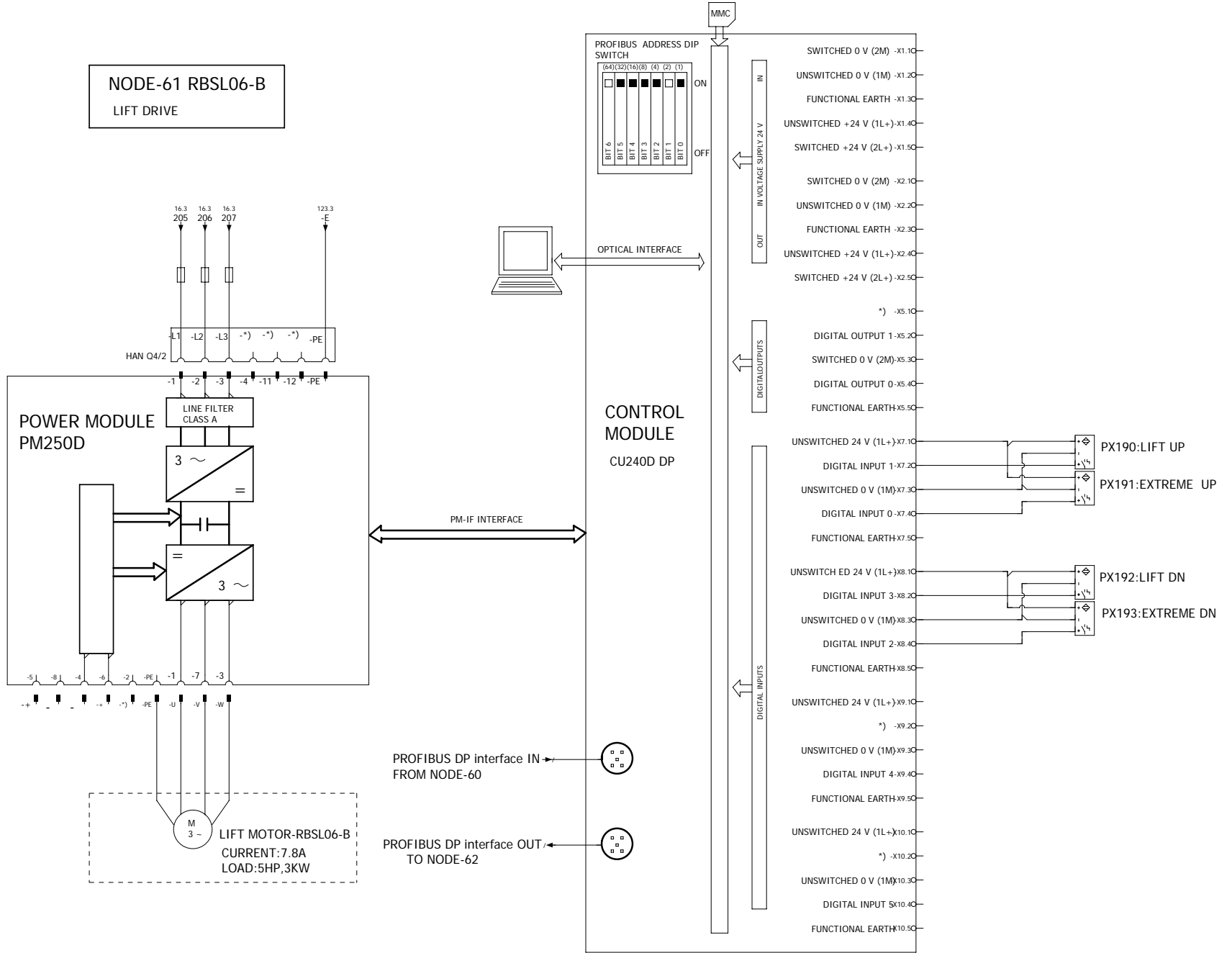
**NODE-60 RBSL06-A**  
ROLLER BED



DOCUMENT ID : CY/DD/R/07  
REV : 00

	Date Name SHITAL	PROJECT DESCRIPTION HA-382 VOLVO FRANCE	TITLE NODE-60	PROJECT CODE :- <b>HA-382</b>	DRAWING NUMBER :-	Page 123
	DRAWN CHECKED APPROVED					Page 170
	CYBERNETIK TECHNOLOGIES PVT.LTD, PUNE					Pages 170

**NODE-61 RBSL06-B**  
LIFT DRIVE



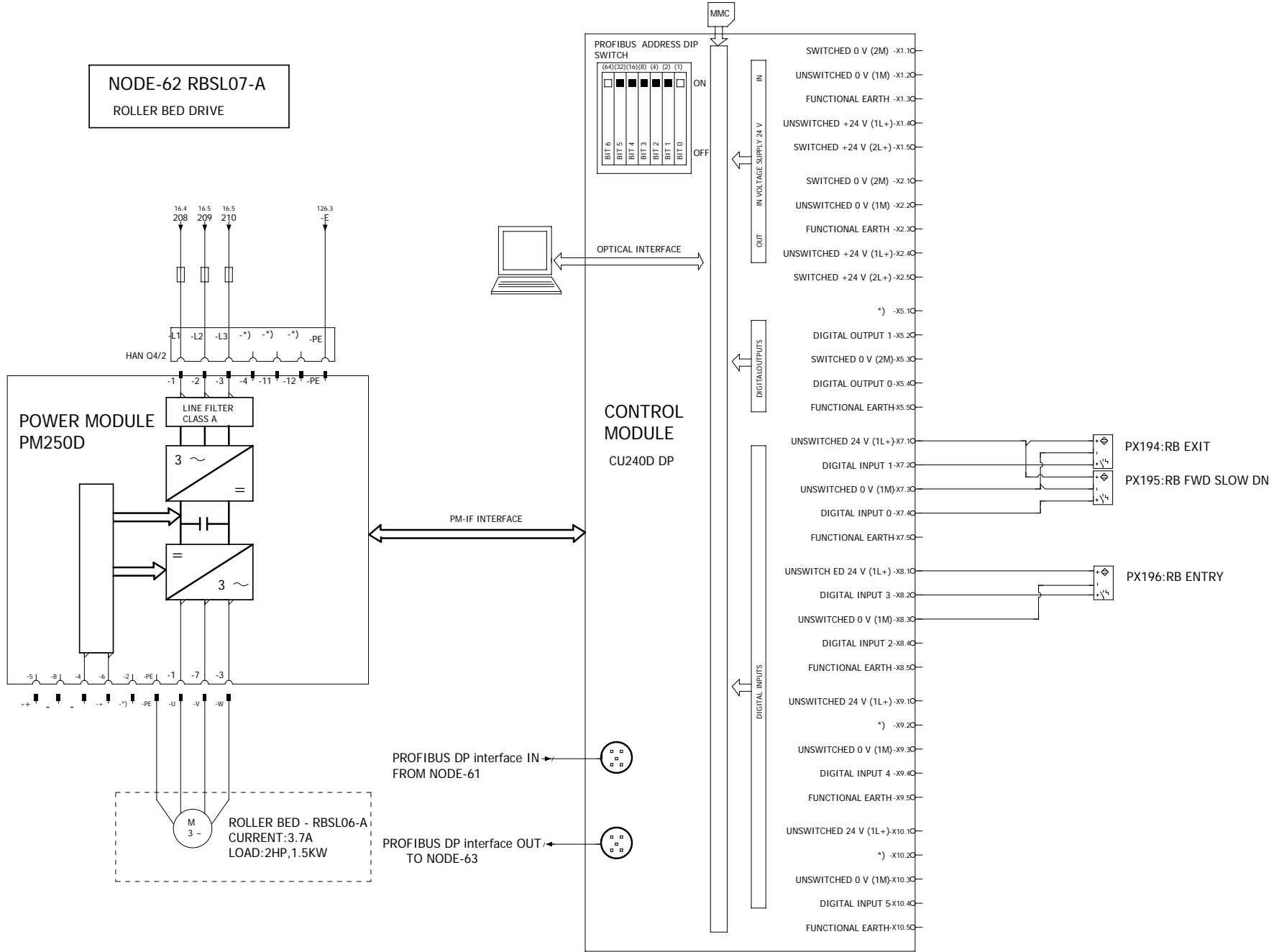
DOCUMENT ID : CY/DD/R/07  
REV : 00

DATE	NAME
CHECKED	SHITAL
APPROVED	

PROJECT DESCRIPTION	TITLE
HA-382 VOLVO FRANCE	NODE-61

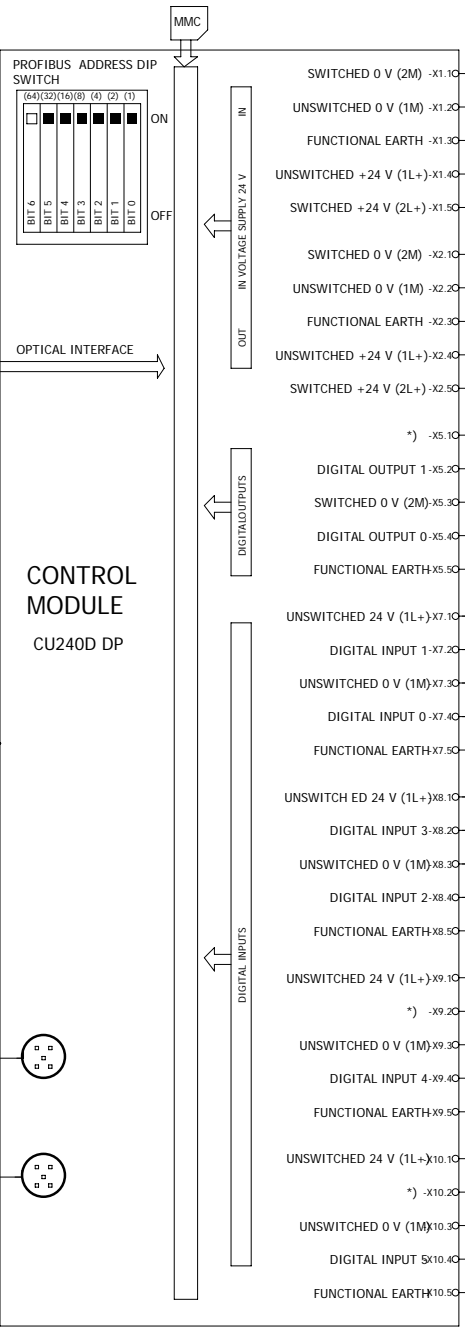
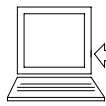
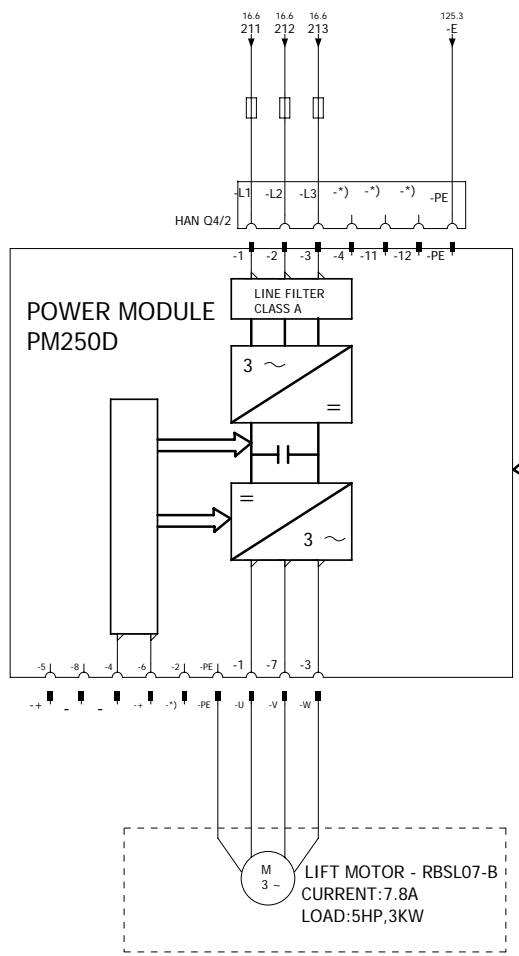
PROJECT CODE :-	HA-382
DRAWING NUMBER :-	

**NODE-62 RBSL07-A**  
ROLLER BED DRIVE



DOCUMENT ID : CY/DD/R/07  
REV : 00

**NODE-63 RBSL07-B**  
LIFT MOTOR DRIVE



PROFIBUS DP interface IN FROM NODE-62

PROFIBUS DP interface OUT TO NODE-64

DOCUMENT ID : CY/DD/R/07

REV : 00

**CYBERNETIK TECHNOLOGIES PVT.LTD, PUNE**

Drawn	Date	Name
Checked		SHITAL
Approved		

PROJECT DESCRIPTION  
HA-382 VOLVO FRANCE

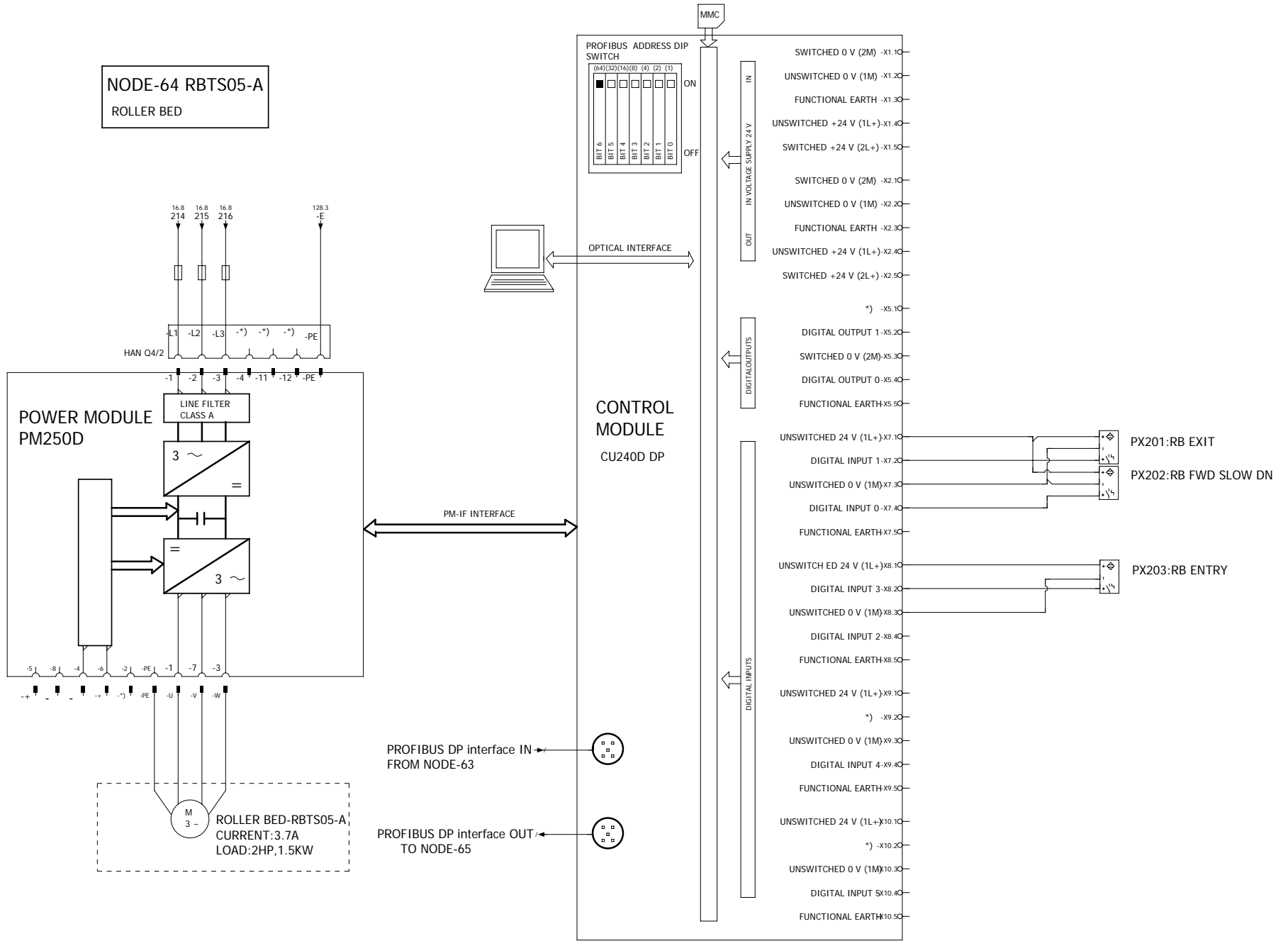
TITLE  
NODE-63

PROJECT CODE :- **HA-382**

DRAWING NUMBER :-

Page 126  
Pages 170

**NODE-64 RBTS05-A**  
ROLLER BED



DOCUMENT ID : CY/DD/R/07  
REV : 00

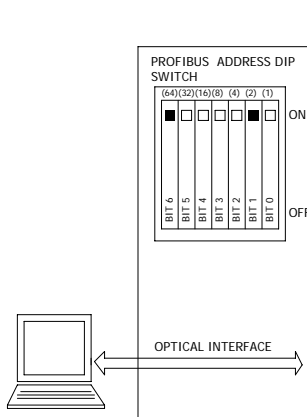
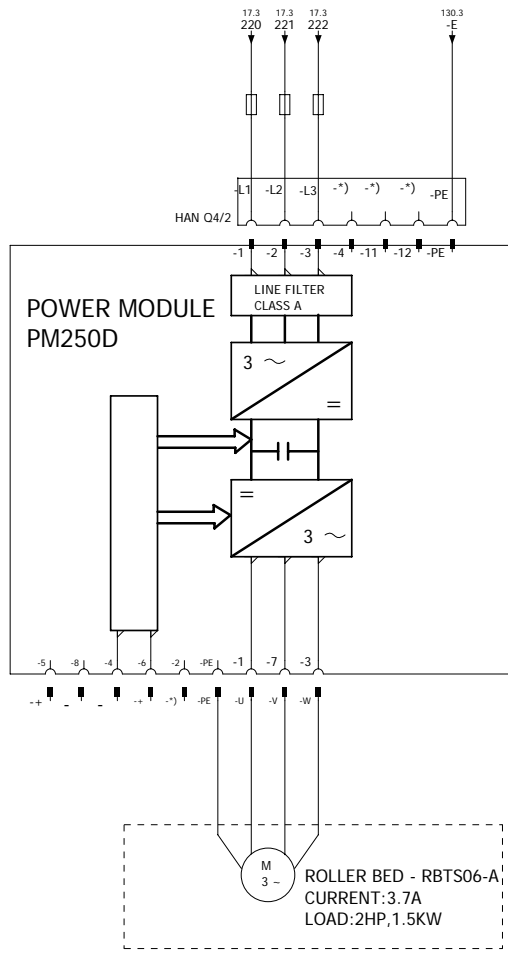
Drawn	Date	Name
Checked		SHITAL
Approved		

<b>PROJECT DESCRIPTION</b>	<b>TITLE</b>
HA-382 VOLVO FRANCE	NODE-64

<b>PROJECT CODE :-</b>	<b>HA-382</b>
<b>DRAWING NUMBER :-</b>	



**NODE-66 RBTS06-A**  
ROLLER BED DRIVE

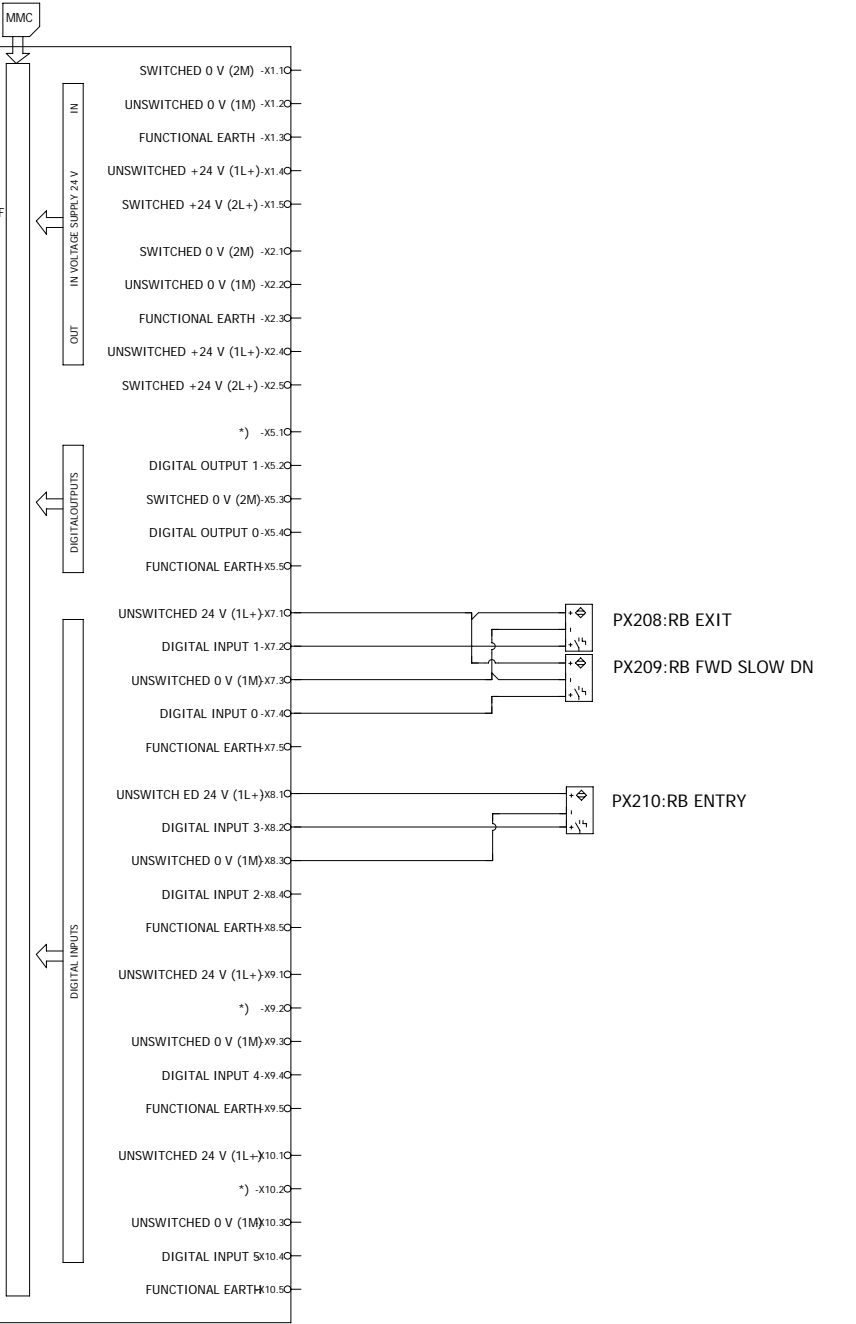


**CONTROL MODULE**  
CU240D DP

PM-IF INTERFACE

PROFIBUS DP interface IN FROM NODE-65

PROFIBUS DP interface OUT TO NODE-67



DOCUMENT ID : CY/DD/R/07

REV : 00



CYBERNETIK TECHNOLOGIES  
PVT.LTD, PUNE

	Date	Name
DRAWN		SHITAL
CHECKED		
APPROVED		

PROJECT DESCRIPTION  
HA-382 VOLVO FRANCE

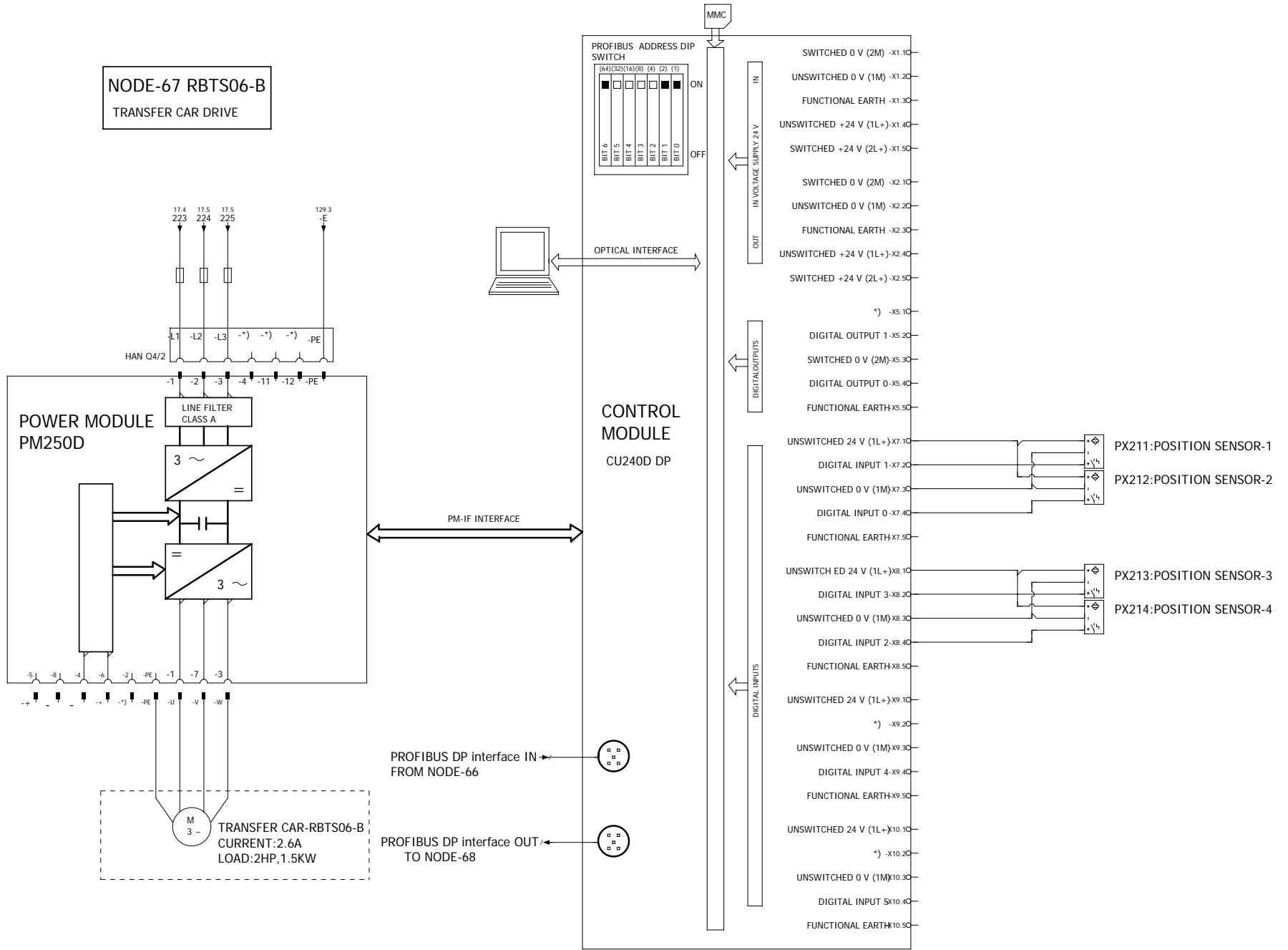
TITLE  
NODE-66

PROJECT CODE :- **HA-382**

DRAWING NUMBER :-

Page 129  
Pages 170

**NODE-67 RBTS06-B**  
TRANSFER CAR DRIVE



DOCUMENT ID : CY/DD/R/07  
REV : 00



CYBERNETIK TECHNOLOGIES  
PVT.LTD, PUNE

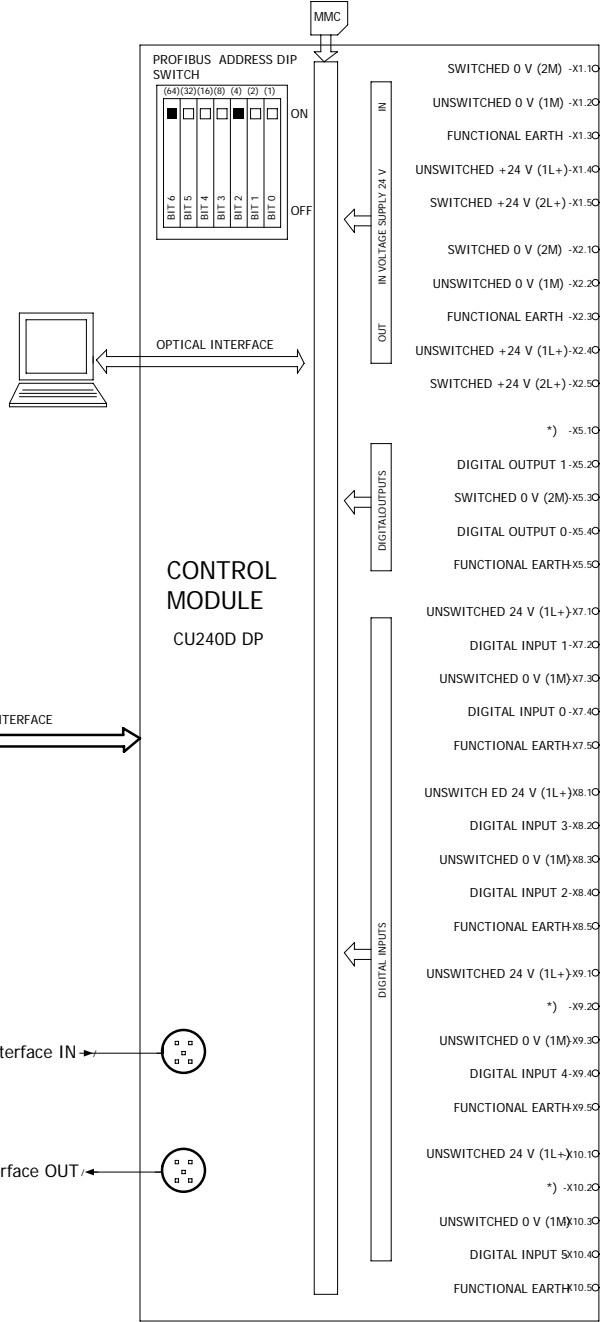
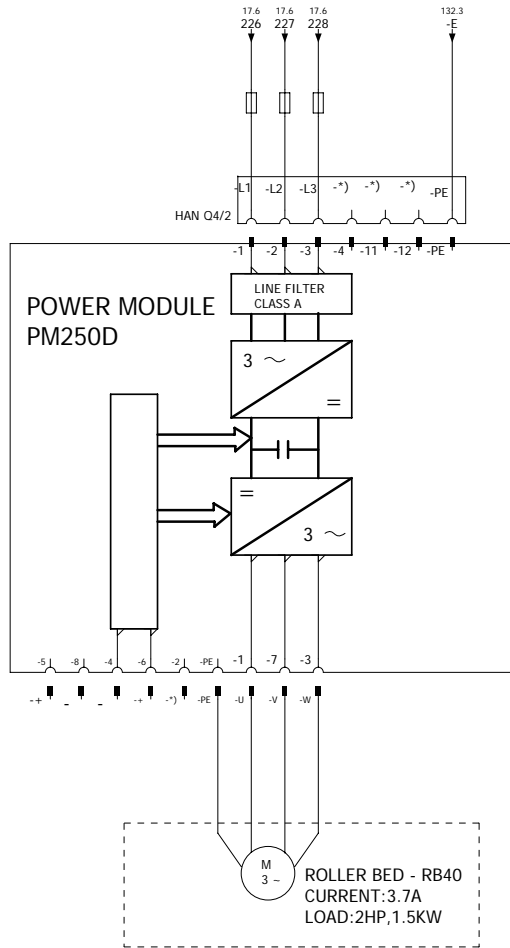
	Date	Name
DRAWN		SHITAL
CHECKED		
APPROVED		

PROJECT DESCRIPTION	TITLE
HA-382 VOLVO FRANCE	NODE-67

PROJECT CODE :-	DRAWING NUMBER :-
HA-382	

Page	Pages
130	170

**NODE-68 RB40**  
ROLLER BED



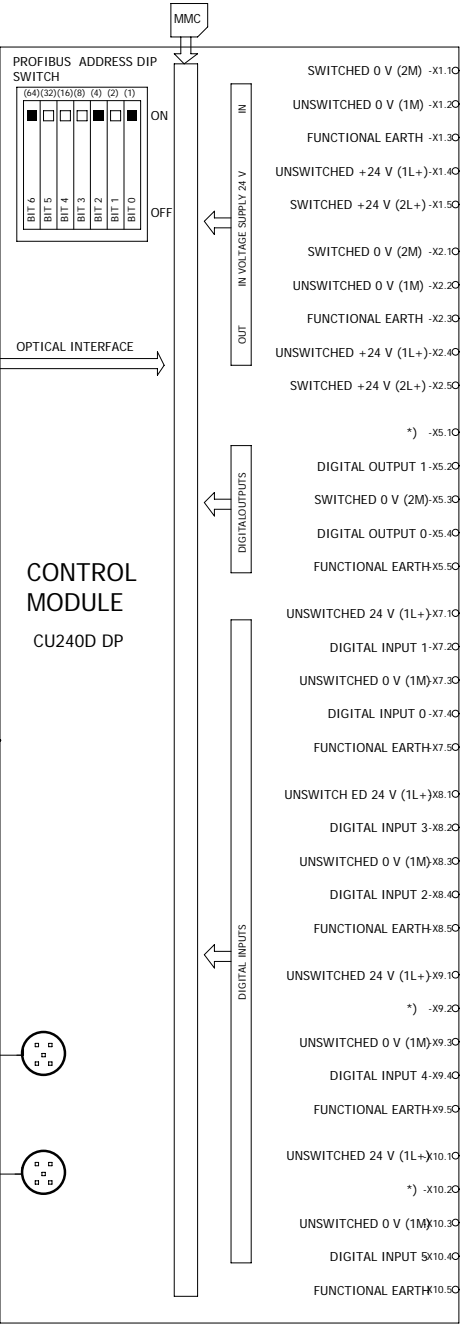
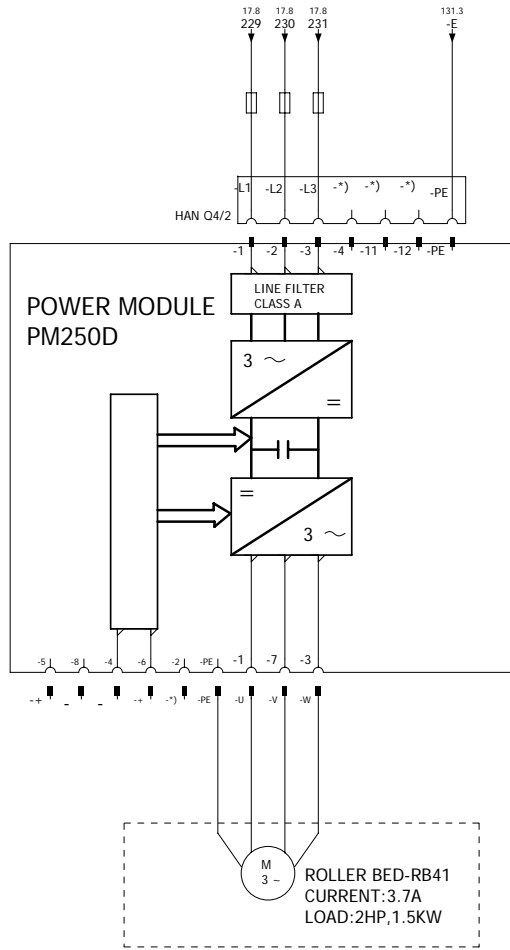
PROFIBUS DP interface IN FROM NODE-67

PROFIBUS DP interface OUT TO NODE-69

DOCUMENT ID : CY/DD/R/07  
REV : 00

Drawn	Date	Name
Checked		SHITAL
Approved		

**NODE-69 RB41**  
ROLLER BED DRIVE



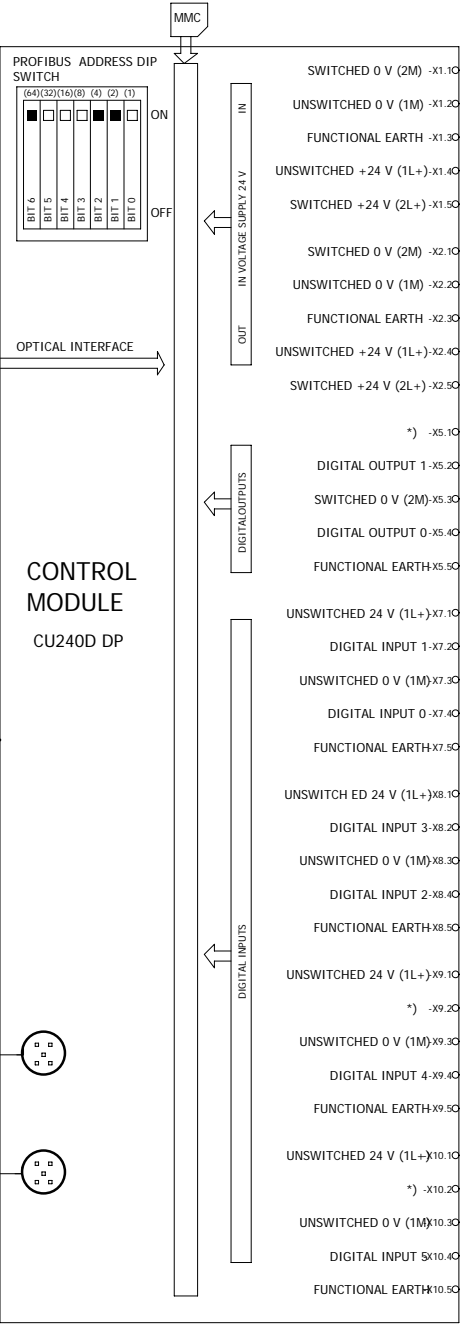
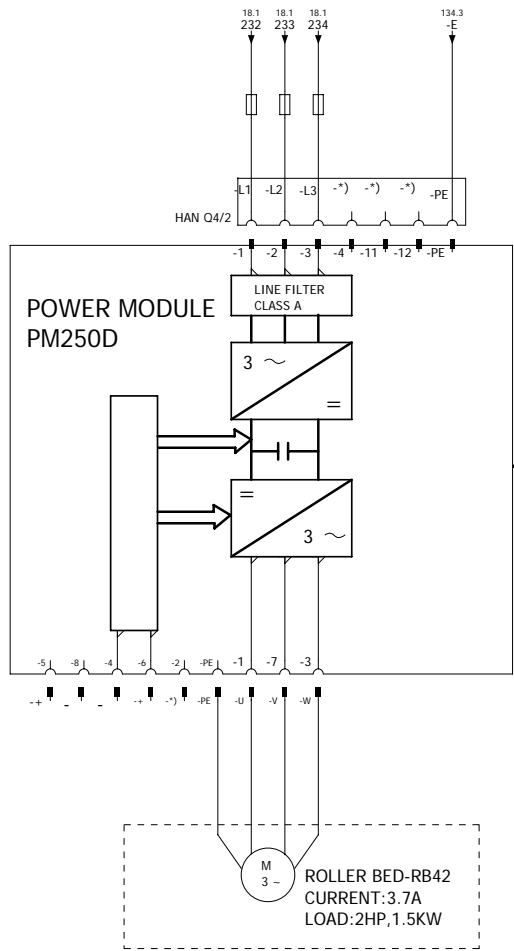
PROFIBUS DP interface IN FROM NODE-68

PROFIBUS DP interface OUT TO NODE-70

DOCUMENT ID : CY/DD/R/07  
REV : 00

Drawn	Date	Name
Checked		SHITAL
Approved		

**NODE-70 RB42**  
ROLLER BED DRIVE



PROFIBUS DP interface IN FROM NODE-69

PROFIBUS DP interface OUT TO NODE-71

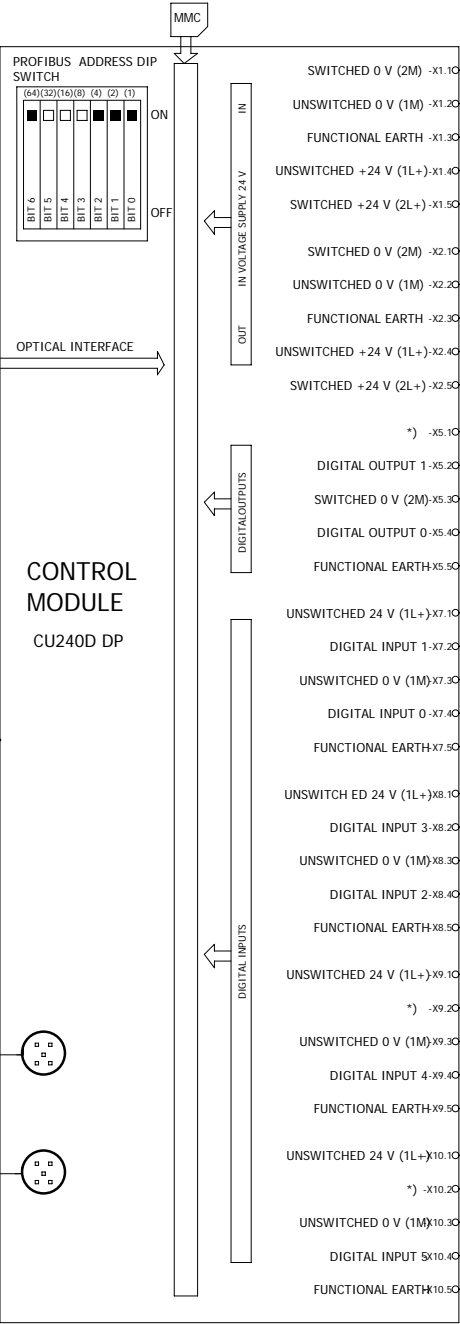
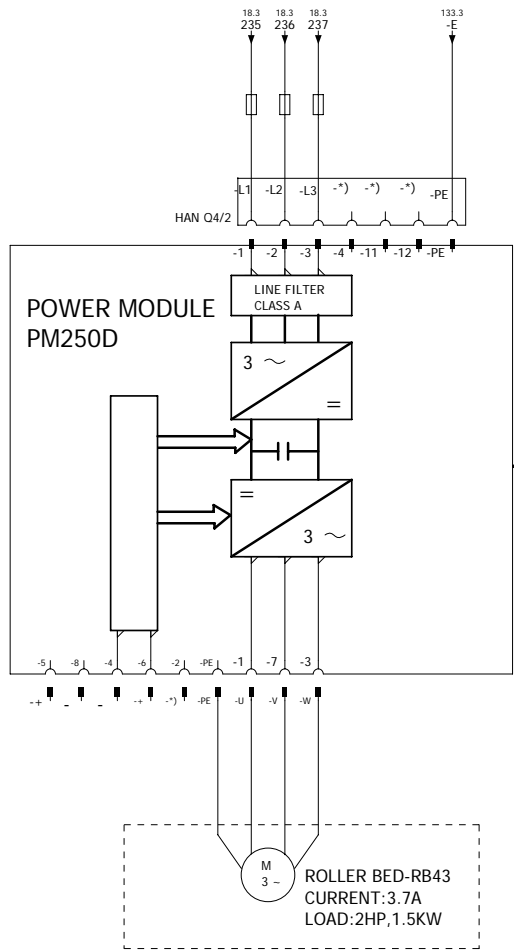
DOCUMENT ID : CY/DD/R/07  
REV : 00

DATE	NAME
	SHITAL
CHECKED	
APPROVED	

PROJECT DESCRIPTION	TITLE
HA-382 VOLVO FRANCE	NODE-70

PROJECT CODE :-	HA-382
DRAWING NUMBER :-	

**NODE-71 RB43**  
ROLLER BED DRIVE



PROFIBUS DP interface IN FROM NODE-70

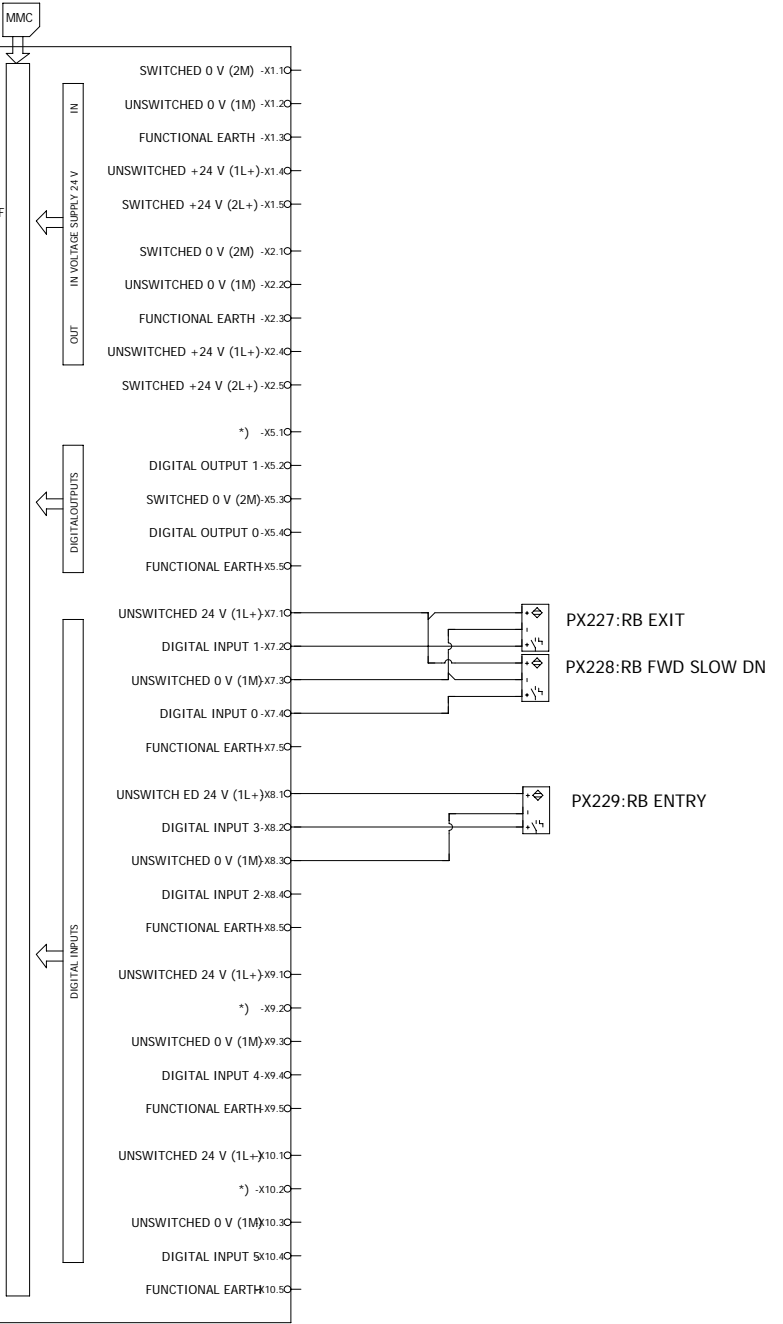
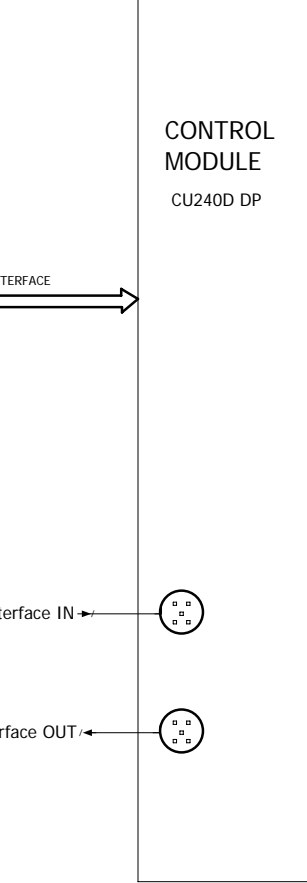
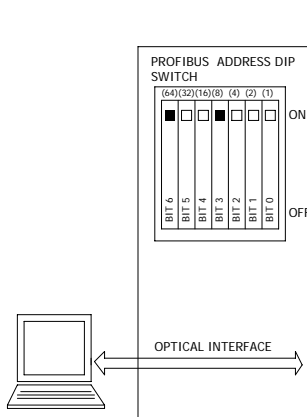
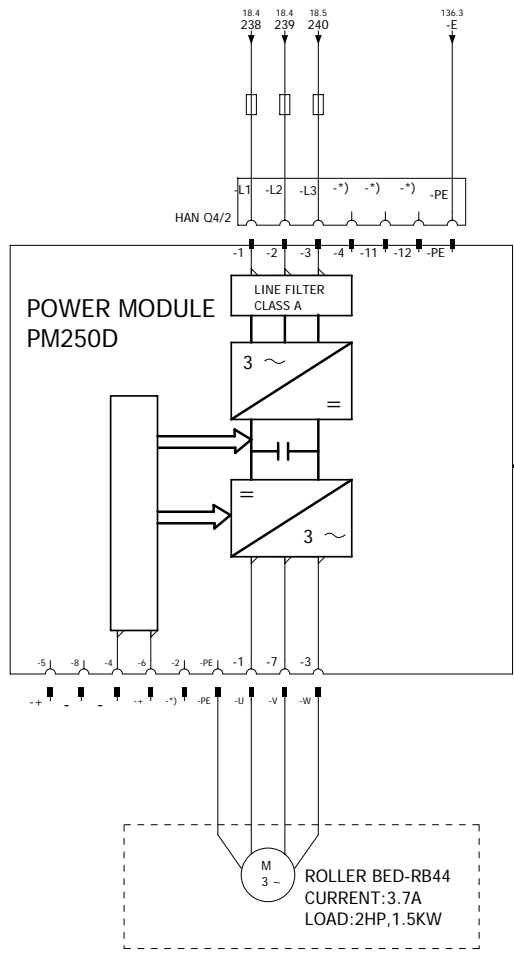
PROFIBUS DP interface OUT TO NODE-72

DATE	NAME
CHECKED	SHITAL
APPROVED	

PROJECT DESCRIPTION	TITLE
HA-382 VOLVO FRANCE	NODE-71

PROJECT CODE :-	HA-382
DRAWING NUMBER :-	

**NODE-72 RB44**  
ROLLER BED DRIVE



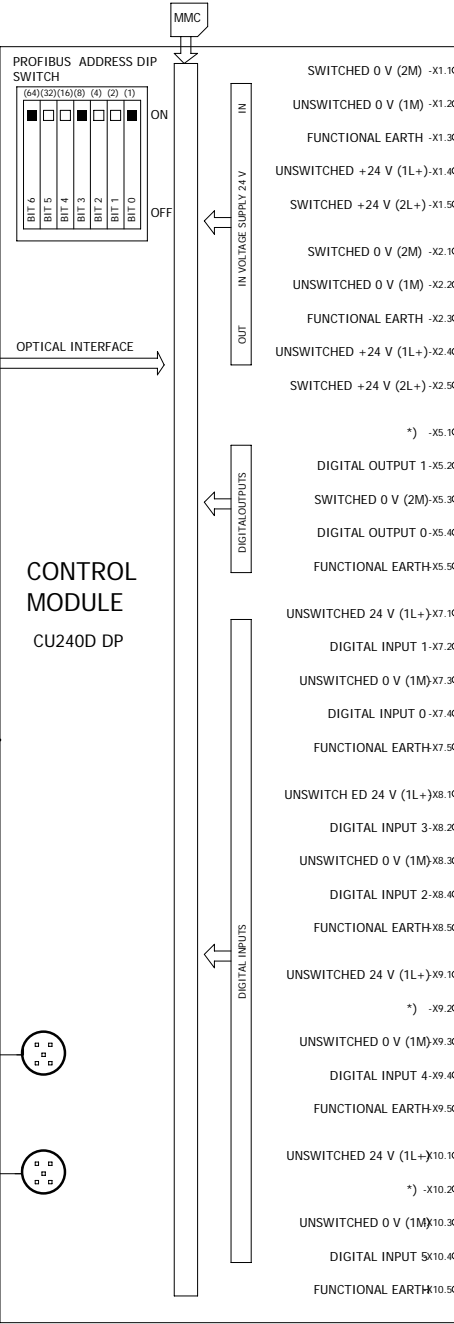
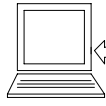
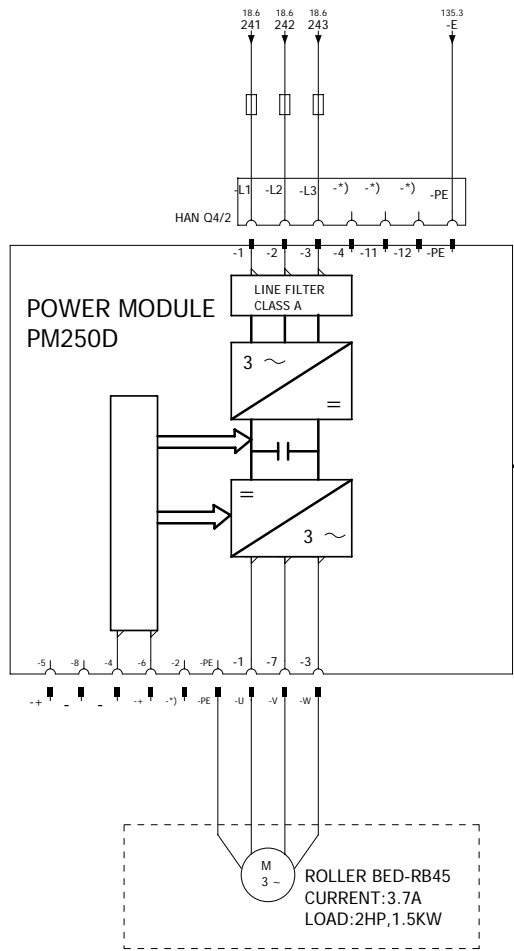
DOCUMENT ID : CY/DD/R/07  
REV : 00

DATE	NAME
	SHITAL
CHECKED	
APPROVED	

PROJECT DESCRIPTION	TITLE
HA-382 VOLVO FRANCE	NODE-72

PROJECT CODE :-	HA-382
DRAWING NUMBER :-	

**NODE-73 RB45**  
ROLLER BED DRIVE



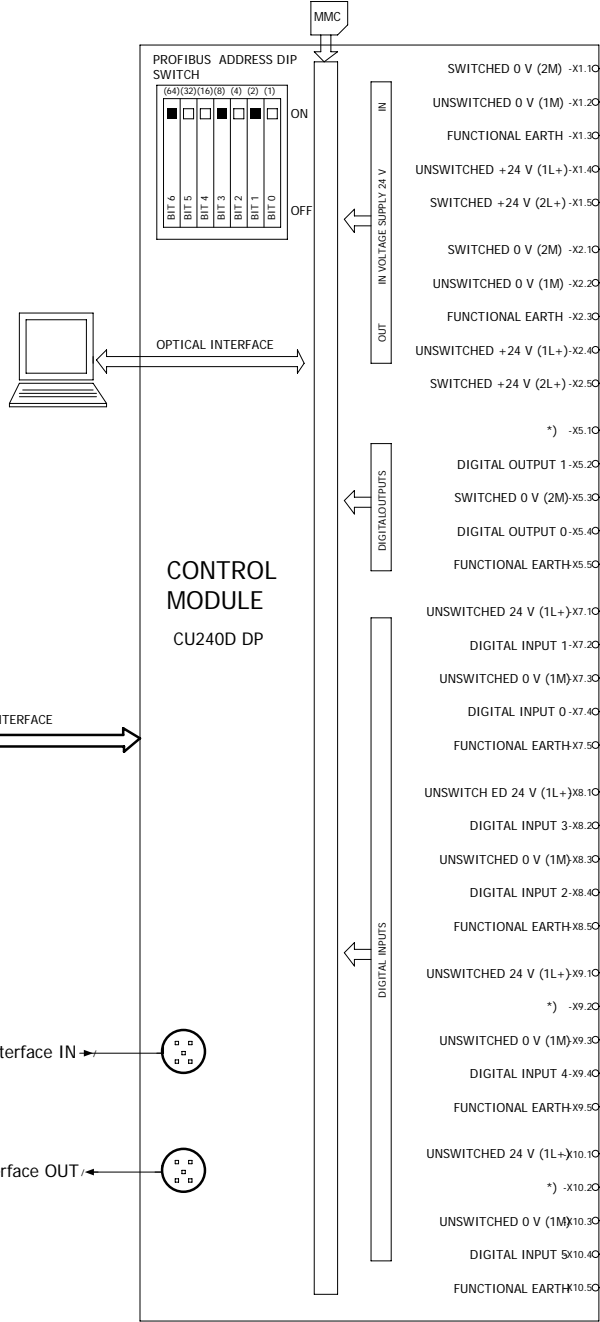
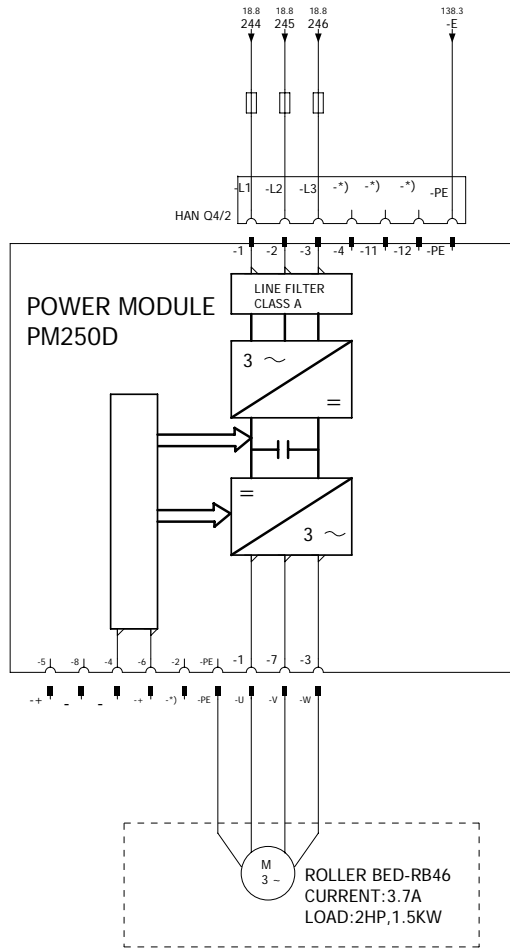
DOCUMENT ID : CY/DD/R/07  
REV : 00

DATE	NAME
CHECKED	SHITAL
APPROVED	

PROJECT DESCRIPTION	TITLE
HA-382 VOLVO FRANCE	NODE-73

PROJECT CODE :-	HA-382
DRAWING NUMBER :-	

**NODE-74 RB46**  
ROLLER BED DRIVE



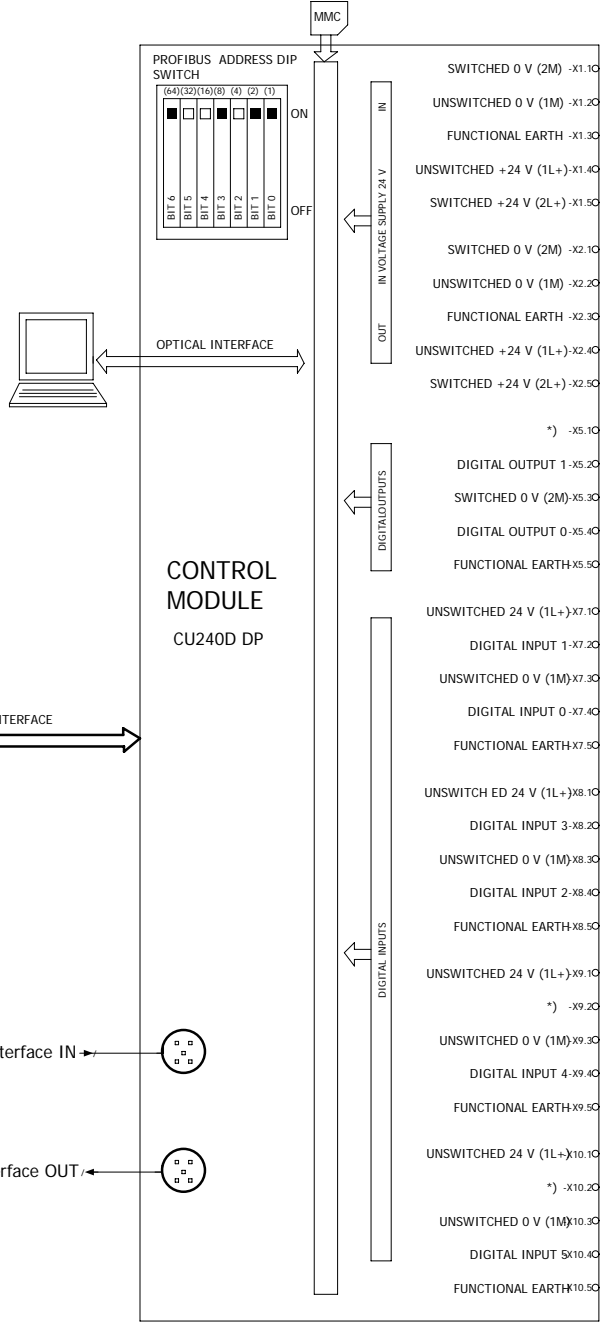
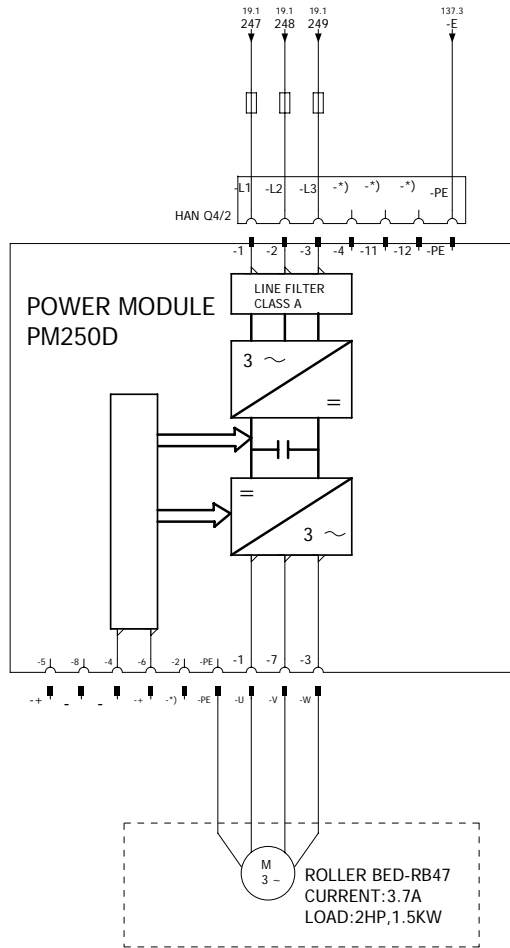
PROFIBUS DP interface IN FROM NODE-73

PROFIBUS DP interface OUT TO NODE-75

DOCUMENT ID : CY/DD/R/07  
REV : 00

DATE	NAME
	SHITAL
CHECKED	
APPROVED	

**NODE-75 RB47**  
ROLLER BED DRIVE



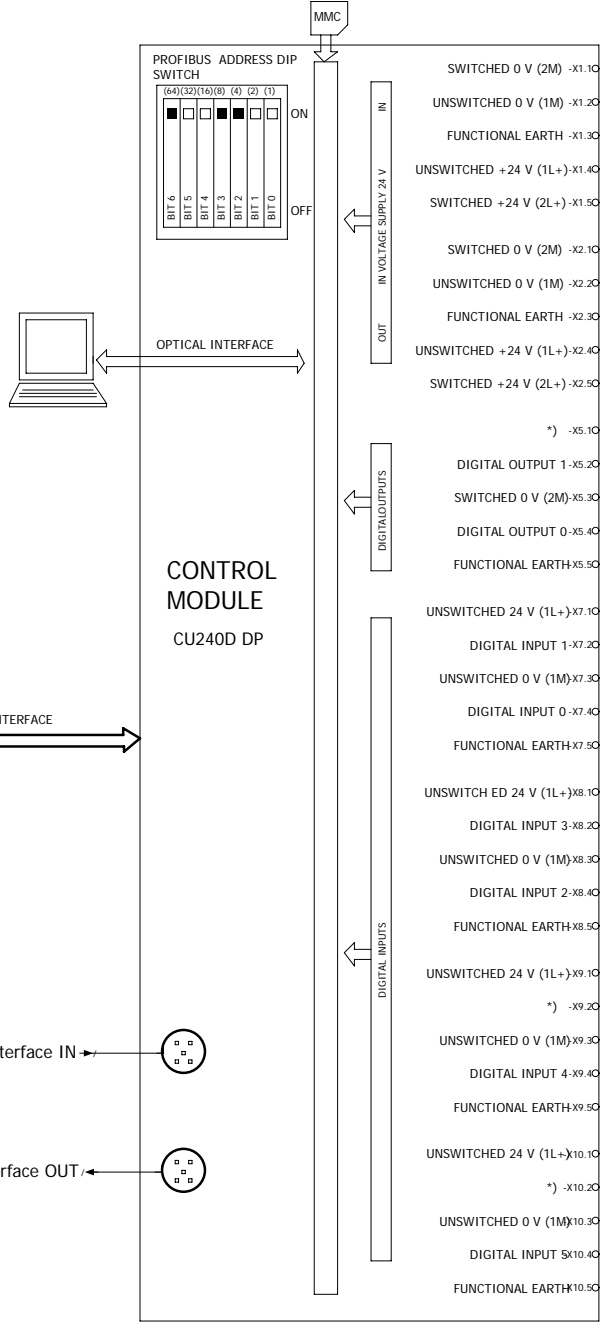
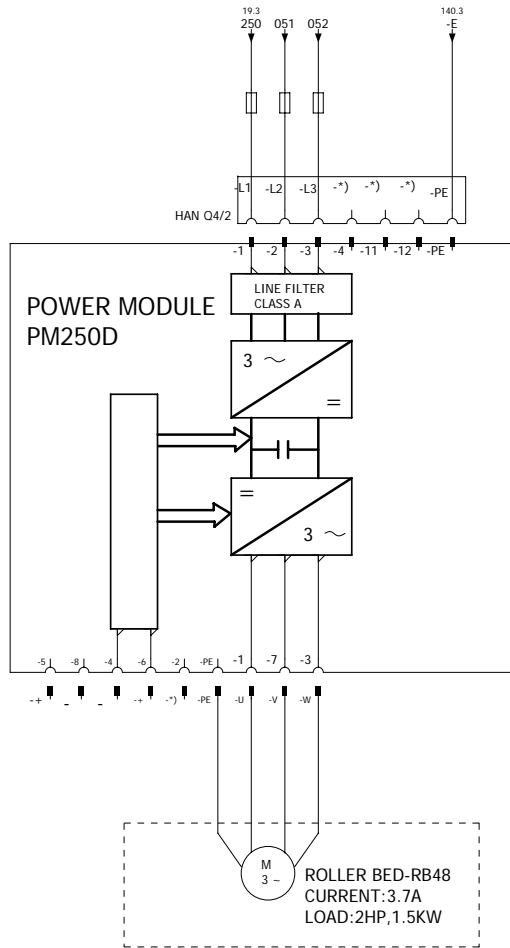
DOCUMENT ID : CY/DD/R/07  
REV : 00

Drawn	Date	Name
Checked		SHITAL
Approved		

PROJECT DESCRIPTION	TITLE
HA-382 VOLVO FRANCE	NODE-75

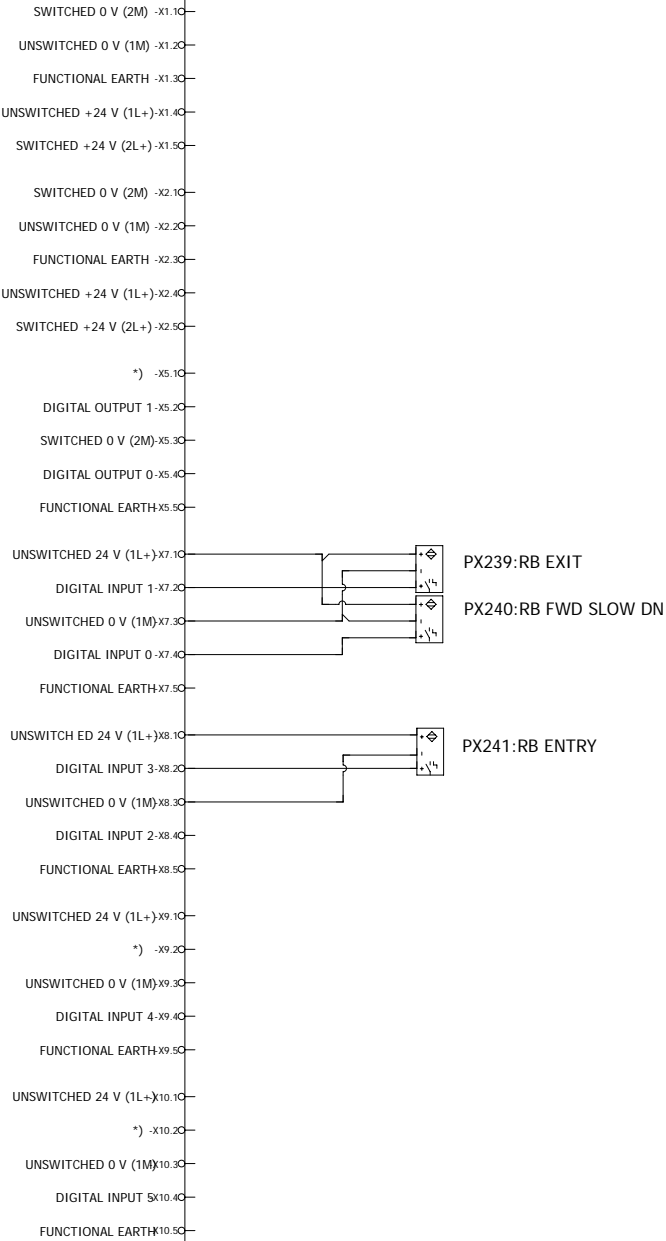
PROJECT CODE :-	HA-382
DRAWING NUMBER :-	

**NODE-76 RB48**  
ROLLER BED DRIVE



PROFIBUS DP interface IN FROM NODE-75

PROFIBUS DP interface OUT TO NODE-77



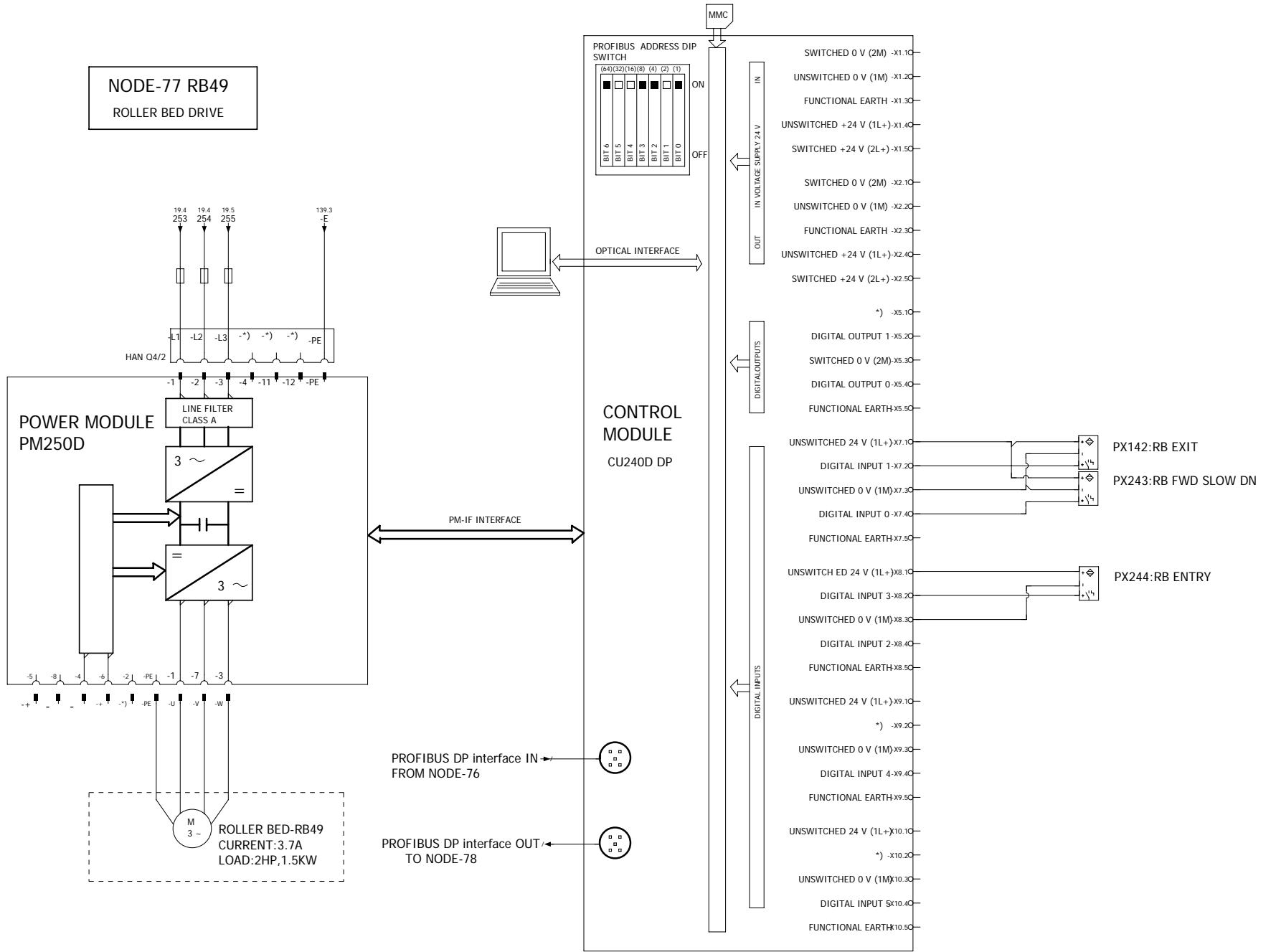
DOCUMENT ID : CY/DD/R/07  
REV : 00

Drawn	Date	Name
Checked		SHITAL
Approved		

PROJECT DESCRIPTION	TITLE
HA-382 VOLVO FRANCE	NODE-76

PROJECT CODE :-	HA-382
DRAWING NUMBER :-	

**NODE-77 RB49**  
ROLLER BED DRIVE



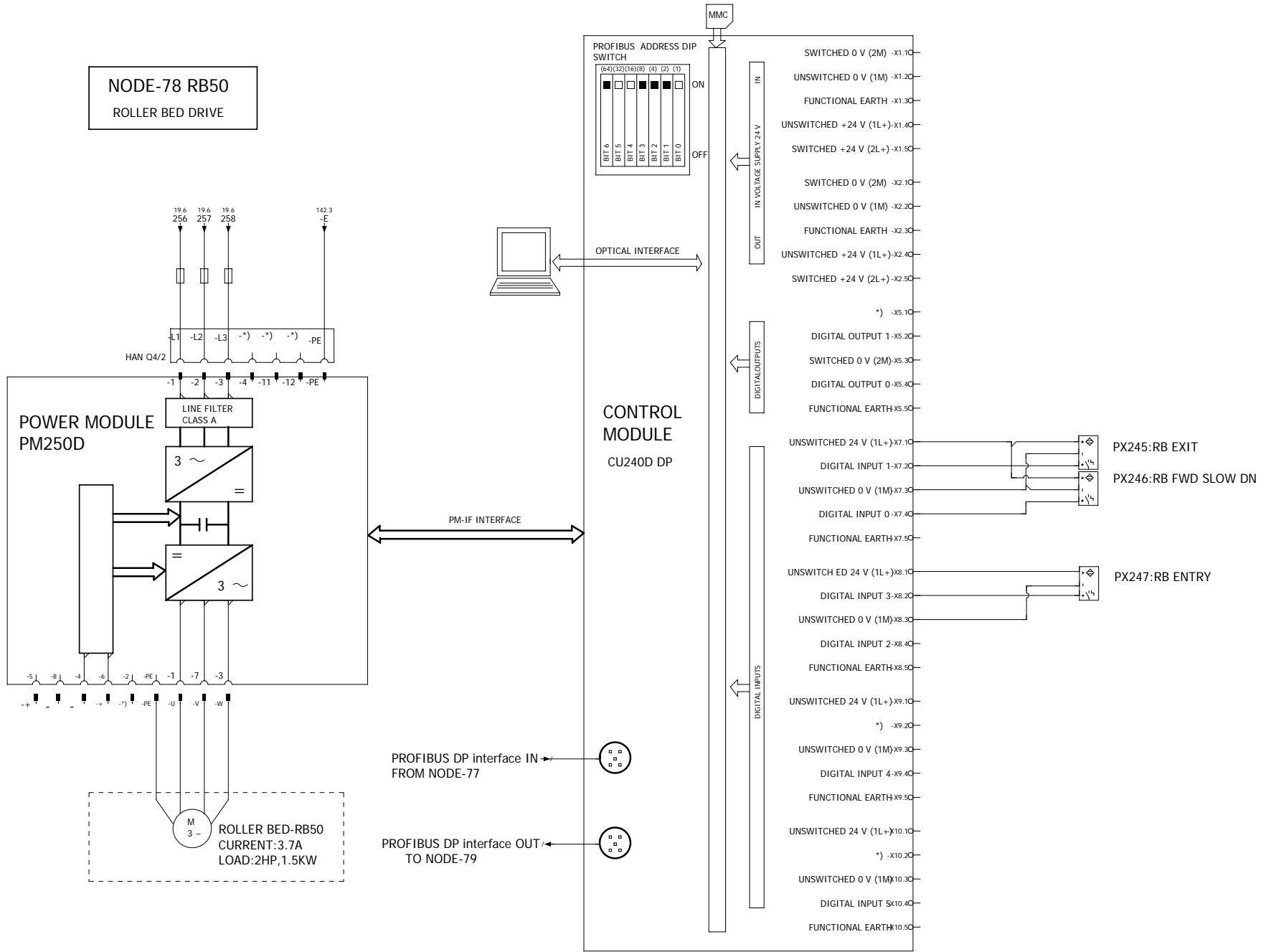
DOCUMENT ID : CY/DD/R/07  
REV : 00

Drawn	Date	Name
Checked		SHITAL
Approved		

<b>PROJECT DESCRIPTION</b>	<b>TITLE</b>
HA-382 VOLVO FRANCE	NODE-77

<b>PROJECT CODE :-</b>	<b>HA-382</b>
<b>DRAWING NUMBER :-</b>	

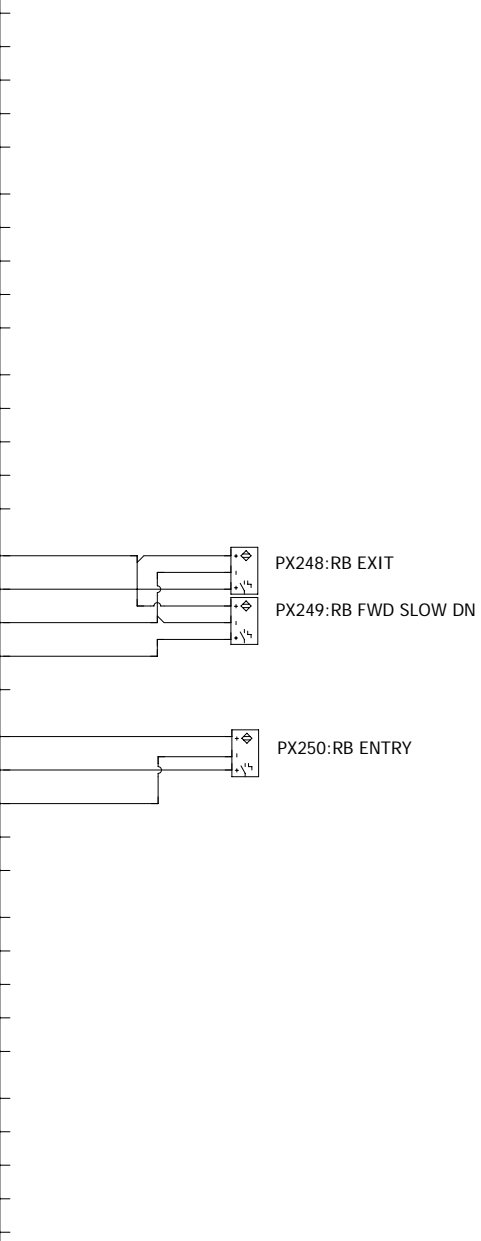
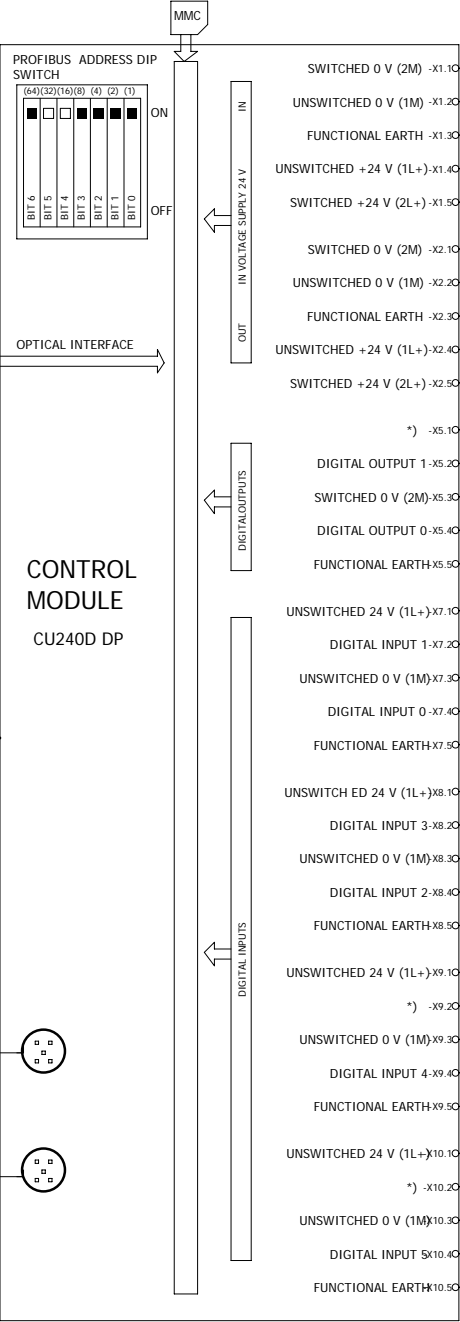
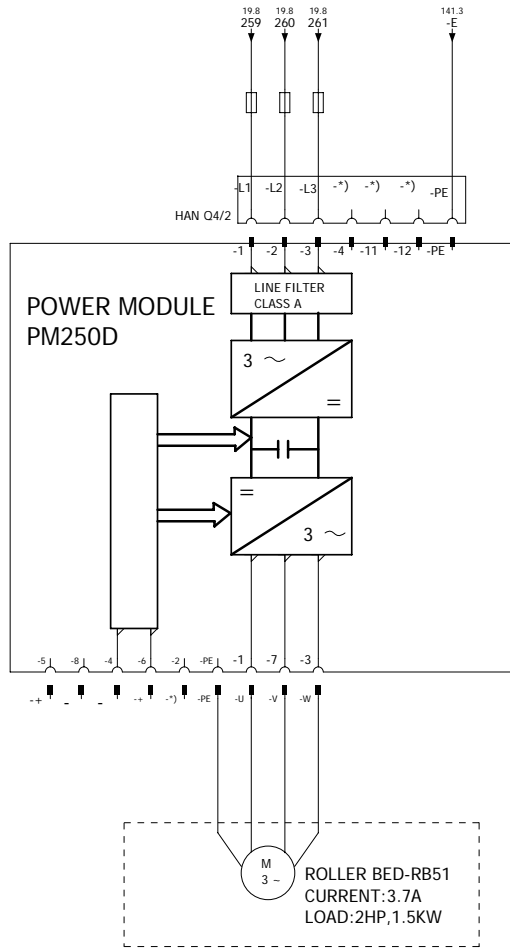
**NODE-78 RB50**  
ROLLER BED DRIVE



DOCUMENT ID : CY/DD/R/07  
REV : 00

Drawn	Date	Name
Checked		SHITAL
Approved		

**NODE-79 RB51**  
ROLLER BED DRIVE



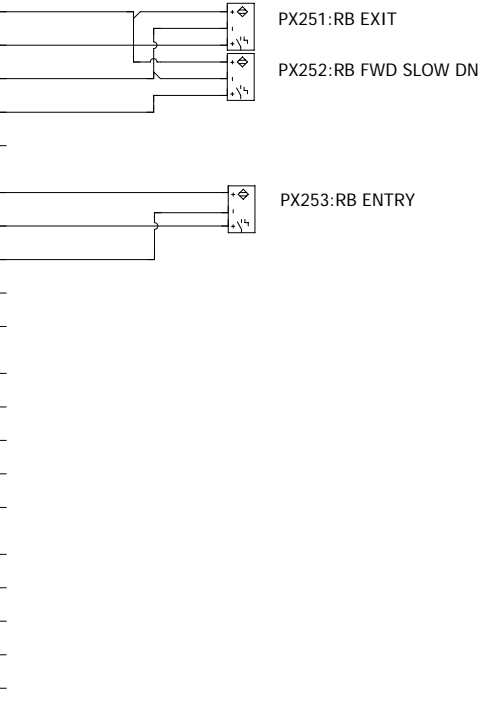
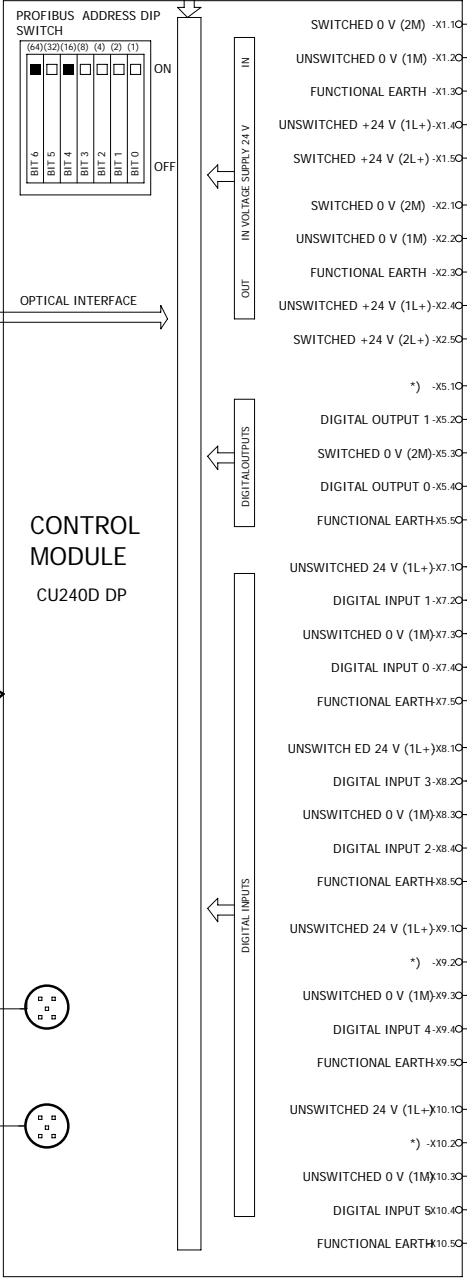
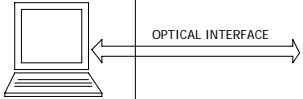
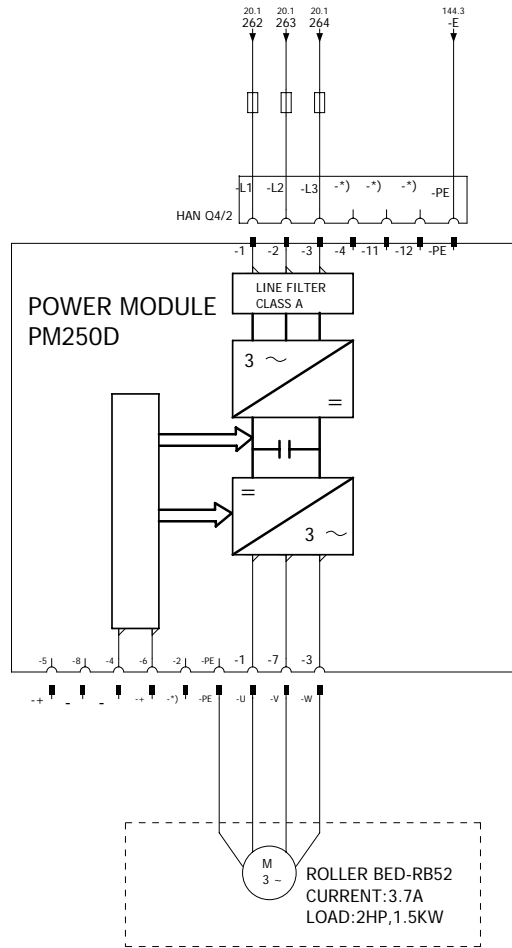
DOCUMENT ID : CY/DD/R/07  
REV : 00

Drawn	Date	Name
Checked		SHITAL
Approved		

PROJECT DESCRIPTION	TITLE
HA-382 VOLVO FRANCE	NODE-79

PROJECT CODE :-	HA-382
DRAWING NUMBER :-	

**NODE-80 RB52**  
ROLLER BED DRIVE



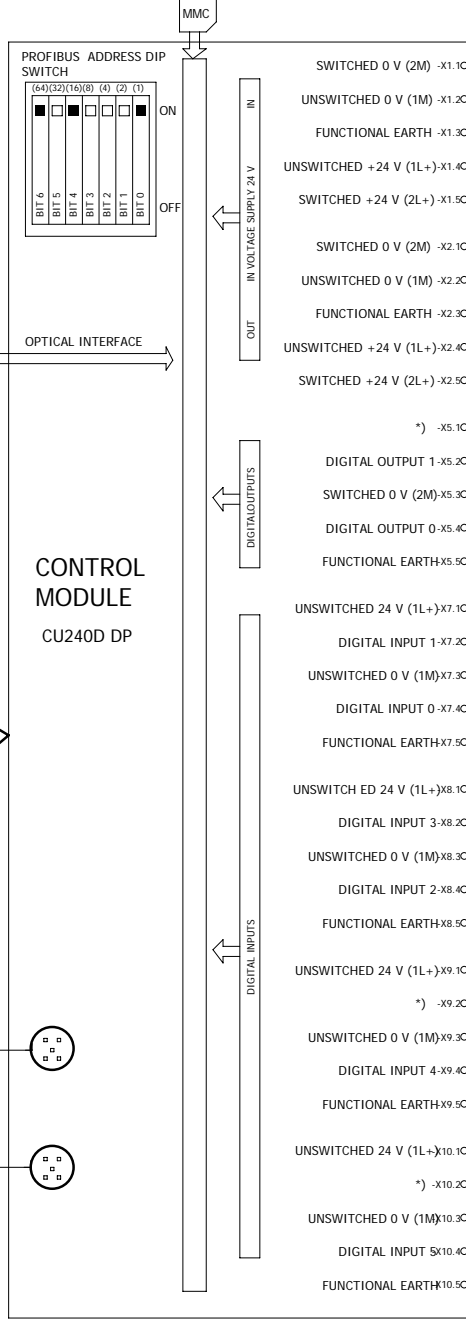
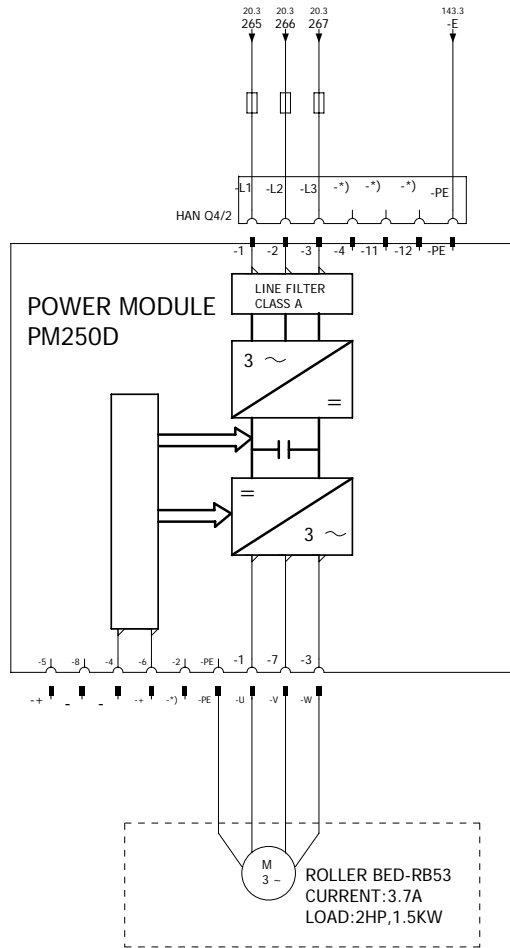
DOCUMENT ID : CY/DD/R/07  
REV : 00

Drawn	Date	Name
Checked		SHITAL
Approved		

PROJECT DESCRIPTION	TITLE
HA-382 VOLVO FRANCE	NODE-80

PROJECT CODE :-	HA-382
DRAWING NUMBER :-	

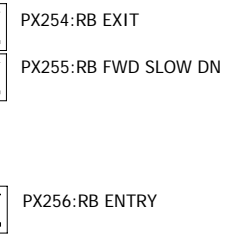
**NODE-81 RB53**  
ROLLER BED DRIVE



PM-IF INTERFACE

PROFIBUS DP interface IN FROM NODE-80

PROFIBUS DP interface OUT TO NODE-82



DOCUMENT ID : CY/DD/R/07

REV : 00



CYBERNETIK TECHNOLOGIES  
PVT.LTD, PUNE

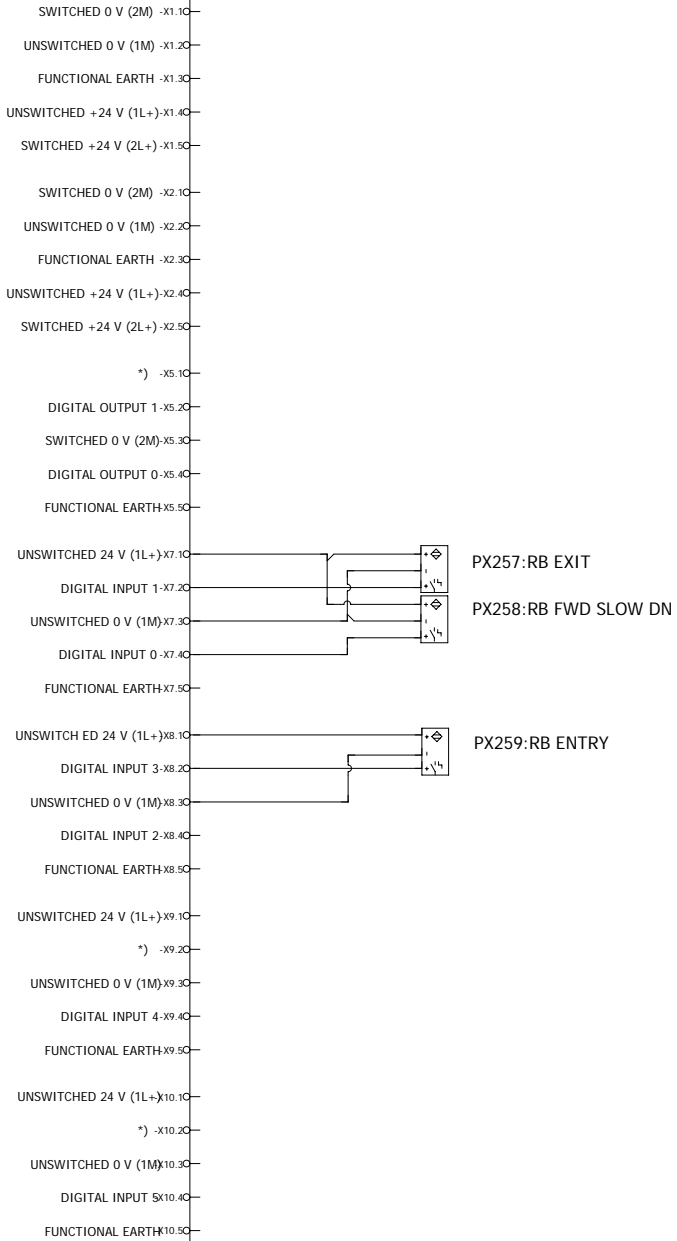
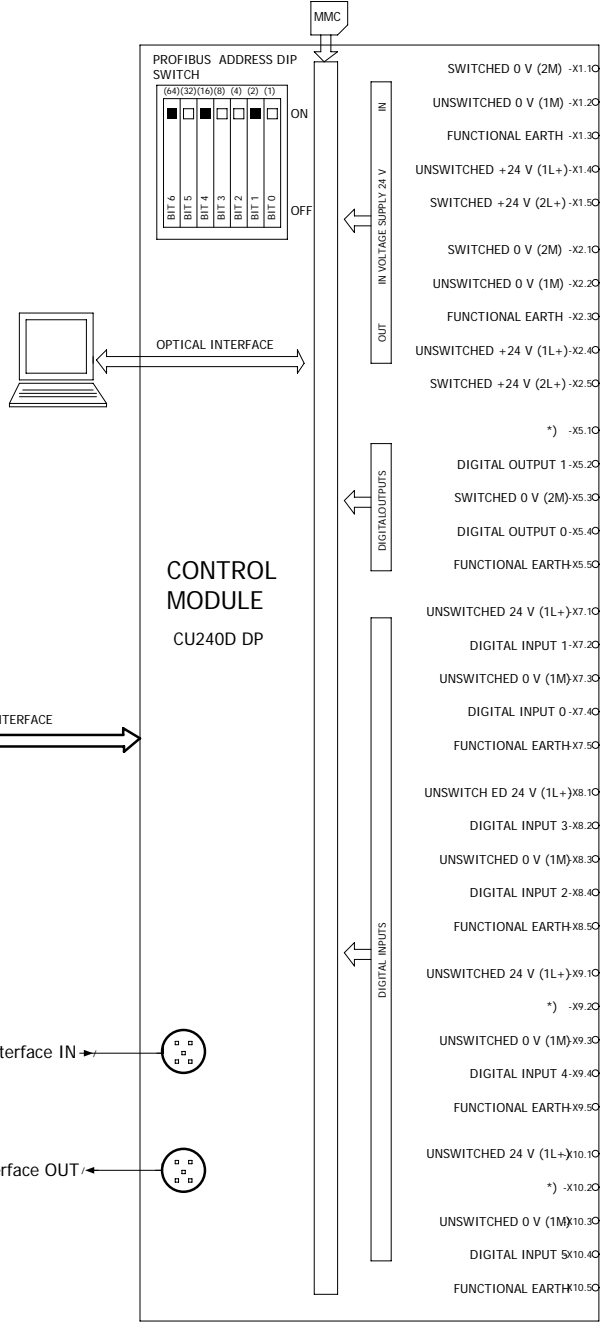
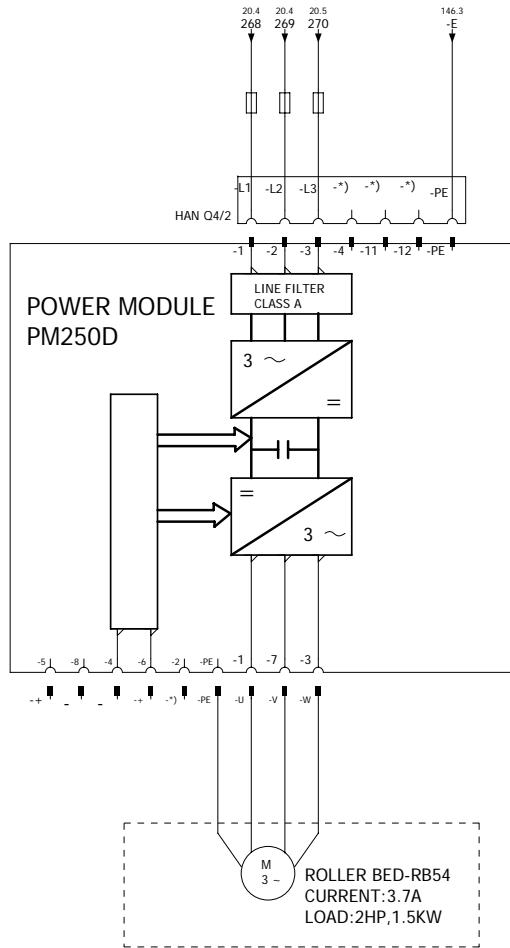
	Date	Name
DRAWN		SHITAL
CHECKED		
APPROVED		

PROJECT DESCRIPTION	TITLE
HA-382 VOLVO FRANCE	NODE-81

PROJECT CODE :-	DRAWING NUMBER :-
HA-382	

Page	Pages
144	170

**NODE-82 RB54**  
ROLLER BED DRIVE



DOCUMENT ID : CY/DD/R/07  
REV : 00

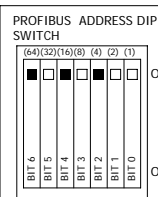
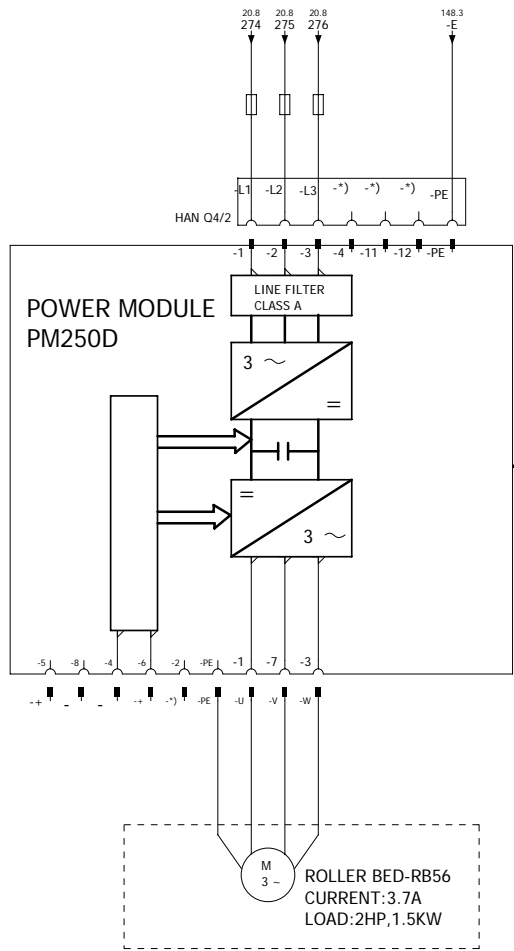
Drawn	Date	Name
Checked		SHITAL
Approved		

<b>PROJECT DESCRIPTION</b>	<b>TITLE</b>
HA-382 VOLVO FRANCE	NODE-82

<b>PROJECT CODE :-</b>	<b>HA-382</b>
<b>DRAWING NUMBER :-</b>	



**NODE-84 RB56**  
ROLLER BED DRIVE

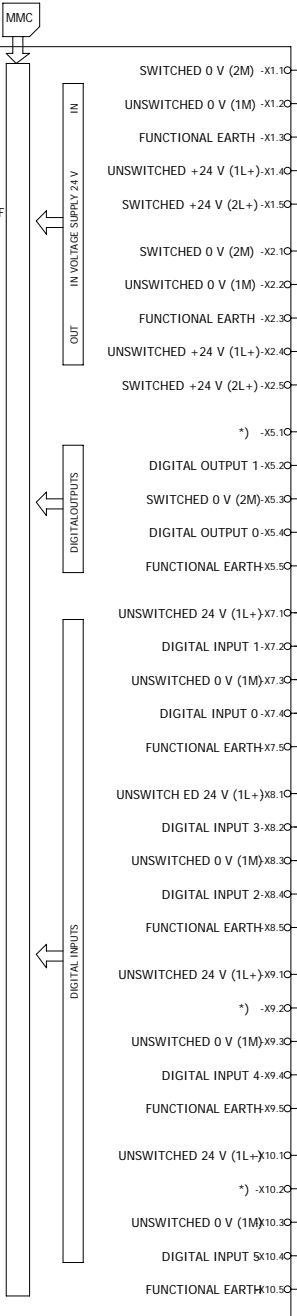


**CONTROL MODULE**  
CU240D DP

PM-IF INTERFACE

PROFIBUS DP interface IN FROM NODE-83

PROFIBUS DP interface OUT TO NODE-85



DOCUMENT ID : CY/DD/R/07

REV : 00



CYBERNETIK TECHNOLOGIES  
PVT.LTD, PUNE

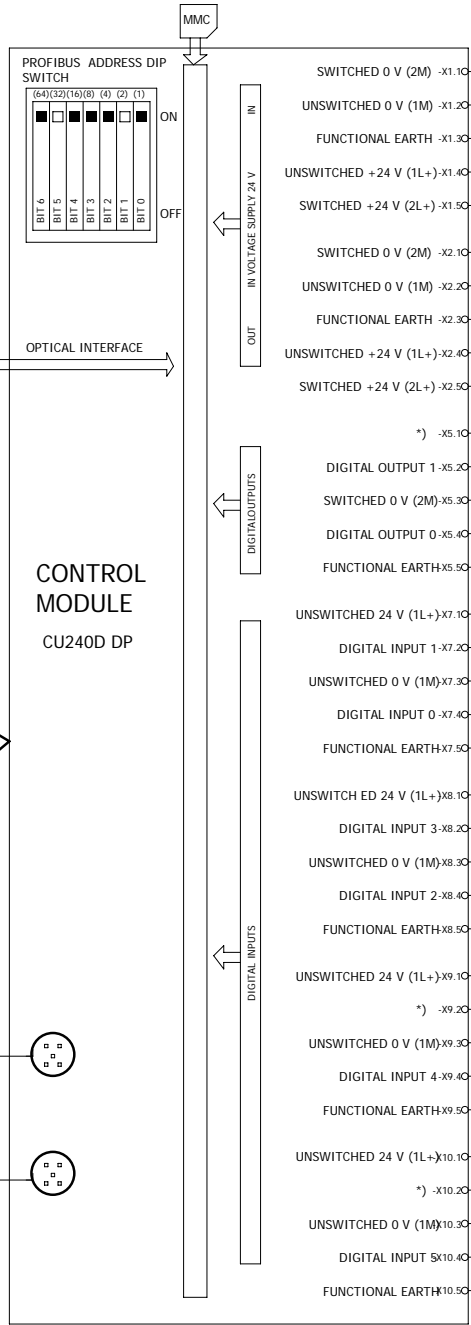
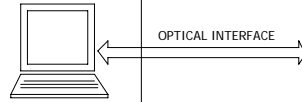
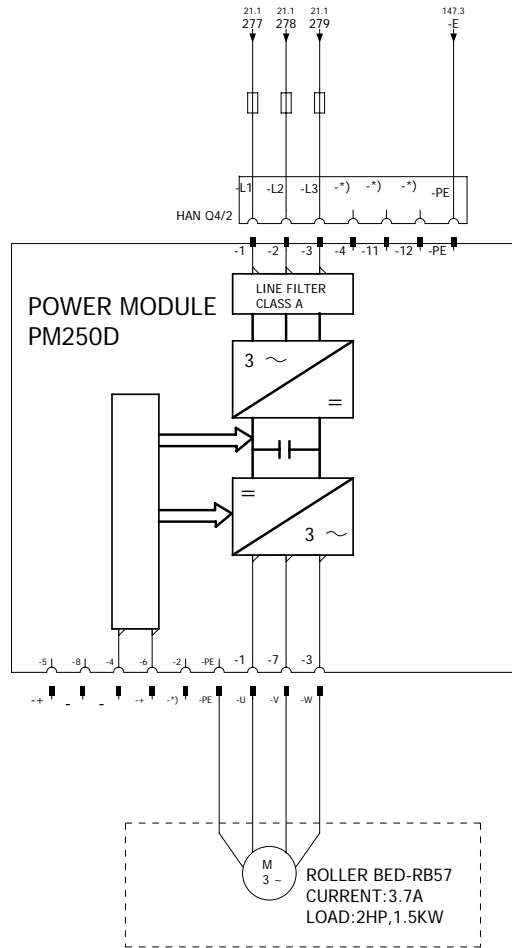
	Date	Name
DRAWN		SHITAL
CHECKED		
APPROVED		

PROJECT DESCRIPTION	TITLE
HA-382 VOLVO FRANCE	NODE-84

PROJECT CODE :-	DRAWING NUMBER :-
HA-382	

Page	147
Pages	170

**NODE-85 RB57**  
ROLLER BED DRIVE



PM-IF INTERFACE

PROFIBUS DP interface IN FROM NODE-84

PROFIBUS DP interface OUT TO NODE-86

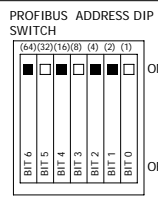
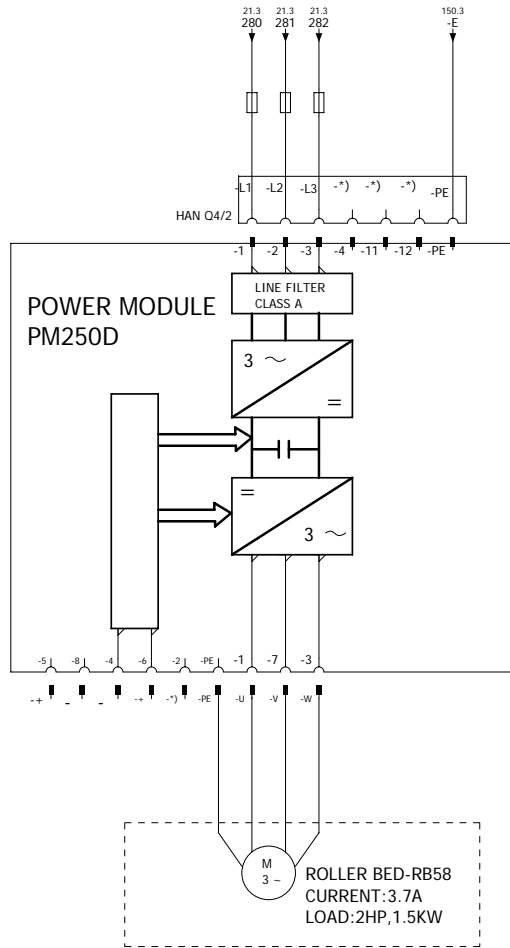
DOCUMENT ID : CY/DD/R/07  
REV : 00

DATE	NAME
	SHITAL
CHECKED	
APPROVED	

PROJECT DESCRIPTION	TITLE
HA-382 VOLVO FRANCE	NODE-85

PROJECT CODE :-	HA-382
DRAWING NUMBER :-	

**NODE-86 RB58**  
ROLLER BED DRIVE



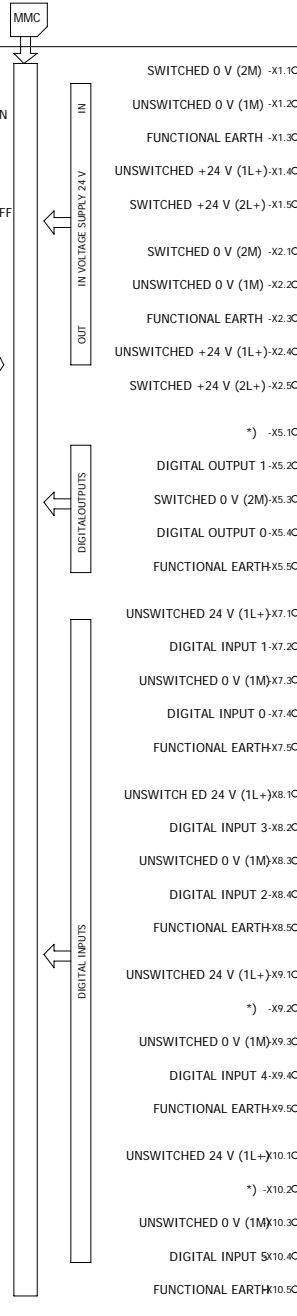
OPTICAL INTERFACE

**CONTROL MODULE**  
CU240D DP

PM-IF INTERFACE

PROFIBUS DP interface IN FROM NODE-85

PROFIBUS DP interface OUT TO NODE-87



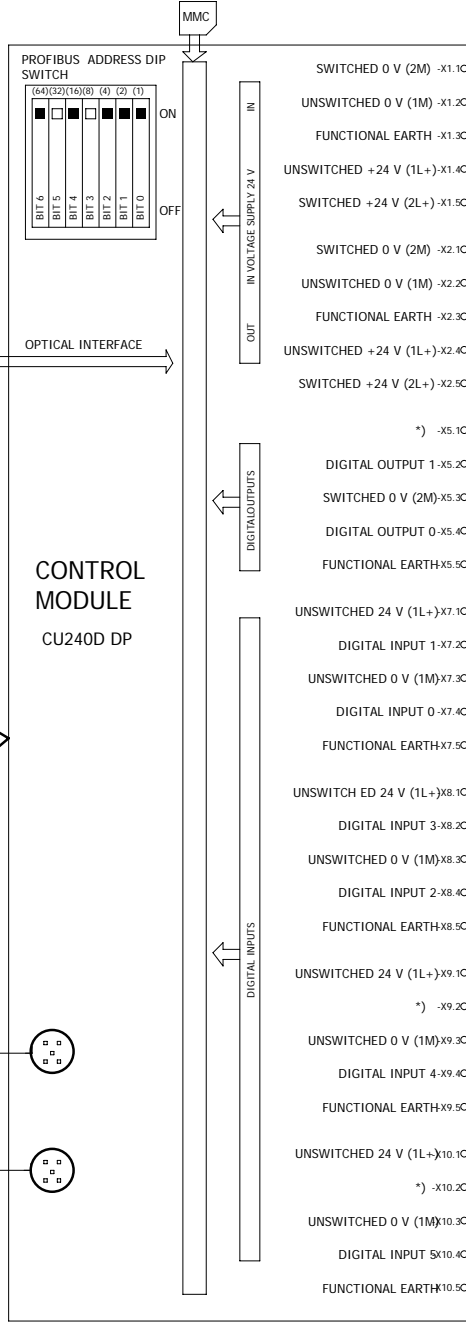
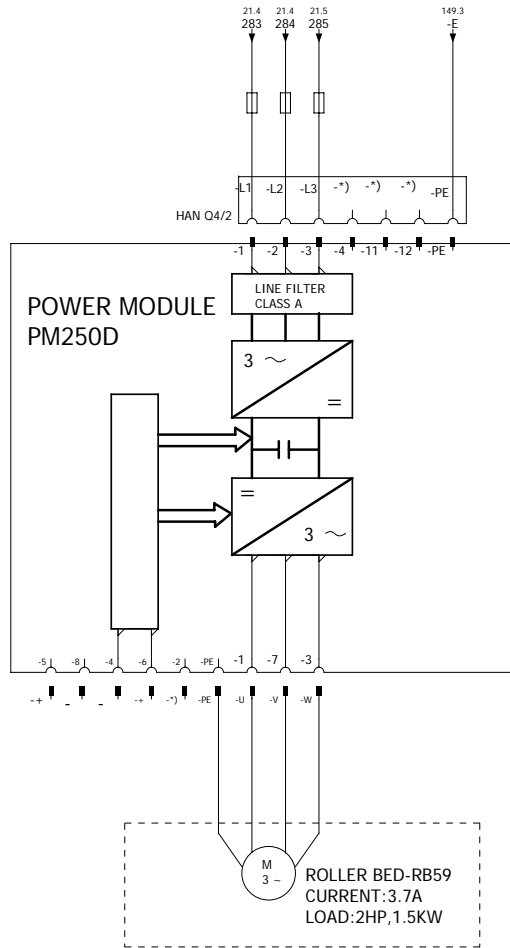
PX269:RB EXIT  
PX270:RB FWD SLOW DN  
PX271:RB ENTRY

Drawn	Date	Name
Checked		SHITAL
Approved		

PROJECT DESCRIPTION	TITLE
HA-382 VOLVO FRANCE	NODE-86

PROJECT CODE :-	HA-382
DRAWING NUMBER :-	

**NODE-87 RB59**  
ROLLER BED DRIVE



- SWITCHED 0 V (2M) -X1.1C
- UNSWITCHED 0 V (1M) -X1.2C
- FUNCTIONAL EARTH -X1.3C
- UNSWITCHED +24 V (1L+) -X1.4C
- SWITCHED +24 V (2L+) -X1.5C
- SWITCHED 0 V (2M) -X2.1C
- UNSWITCHED 0 V (1M) -X2.2C
- FUNCTIONAL EARTH -X2.3C
- UNSWITCHED +24 V (1L+) -X2.4C
- SWITCHED +24 V (2L+) -X2.5C
- \*) -X5.1C
- DIGITAL OUTPUT 1 -X5.2C
- SWITCHED 0 V (2M) -X5.3C
- DIGITAL OUTPUT 0 -X5.4C
- FUNCTIONAL EARTH -X5.5C
- UNSWITCHED 24 V (1L+) -X7.1C
- DIGITAL INPUT 1 -X7.2C
- UNSWITCHED 0 V (1M) -X7.3C
- DIGITAL INPUT 0 -X7.4C
- FUNCTIONAL EARTH -X7.5C
- UNSWITCHED 24 V (1L+) -X8.1C
- DIGITAL INPUT 3 -X8.2C
- UNSWITCHED 0 V (1M) -X8.3C
- DIGITAL INPUT 2 -X8.4C
- FUNCTIONAL EARTH -X8.5C
- UNSWITCHED 24 V (1L+) -X9.1C
- \*) -X9.2C
- UNSWITCHED 0 V (1M) -X9.3C
- DIGITAL INPUT 4 -X9.4C
- FUNCTIONAL EARTH -X9.5C
- UNSWITCHED 24 V (1L+) -X10.1C
- \*) -X10.2C
- UNSWITCHED 0 V (1M) -X10.3C
- DIGITAL INPUT 5 -X10.4C
- FUNCTIONAL EARTH -X10.5C

- PX272:RB EXIT
- PX273:RB FWD SLOW DN
- PX274:RB ENTRY

DOCUMENT ID : CY/DD/R/07  
REV : 00



CYBERNETIK TECHNOLOGIES  
PVT.LTD, PUNE

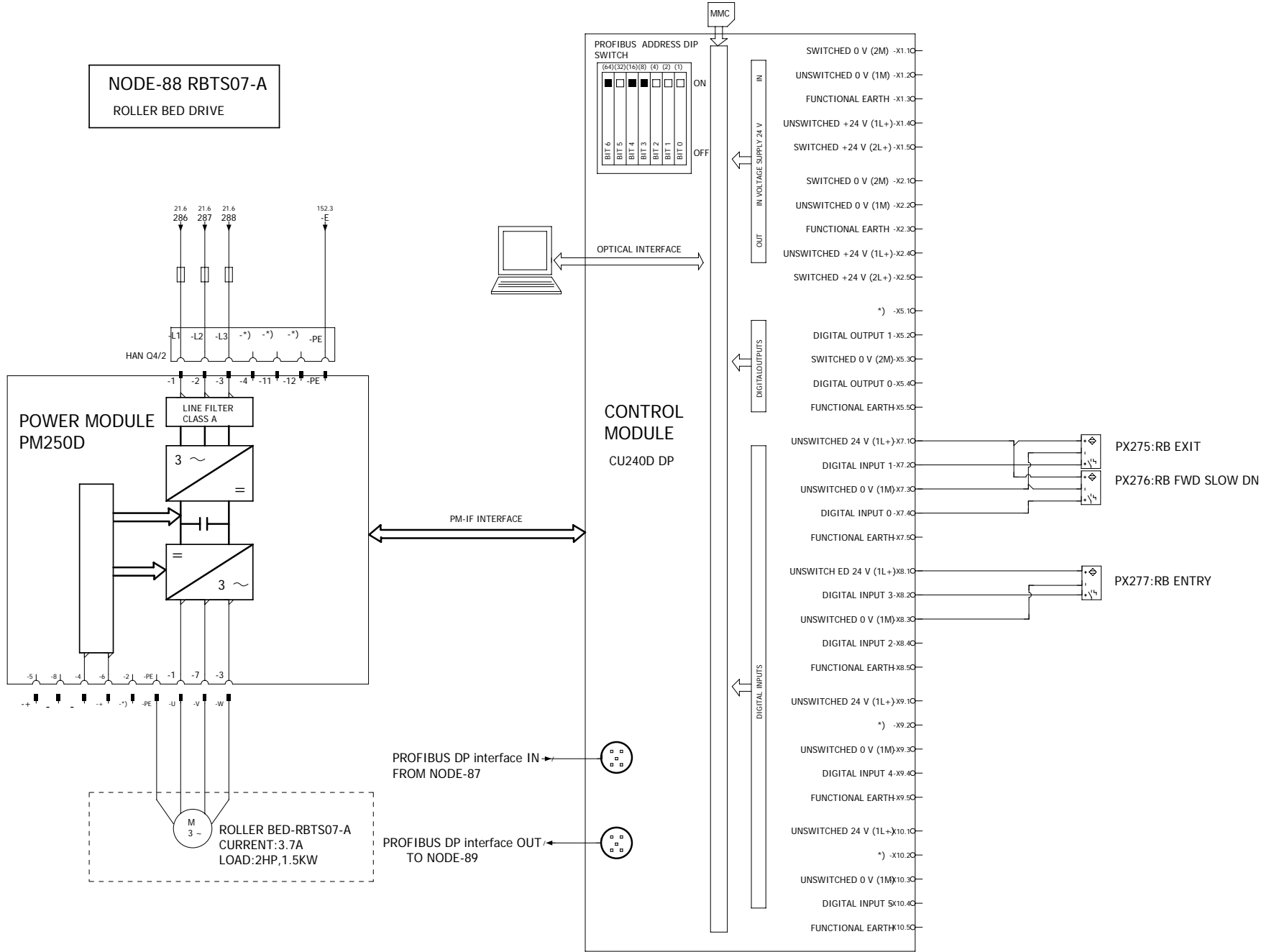
	Date	Name
DRAWN		SHITAL
CHECKED		
APPROVED		

PROJECT DESCRIPTION	TITLE
HA-382 VOLVO FRANCE	NODE-87

PROJECT CODE :-	DRAWING NUMBER :-
HA-382	

Page	Pages
150	170

**NODE-88 RBTS07-A**  
ROLLER BED DRIVE



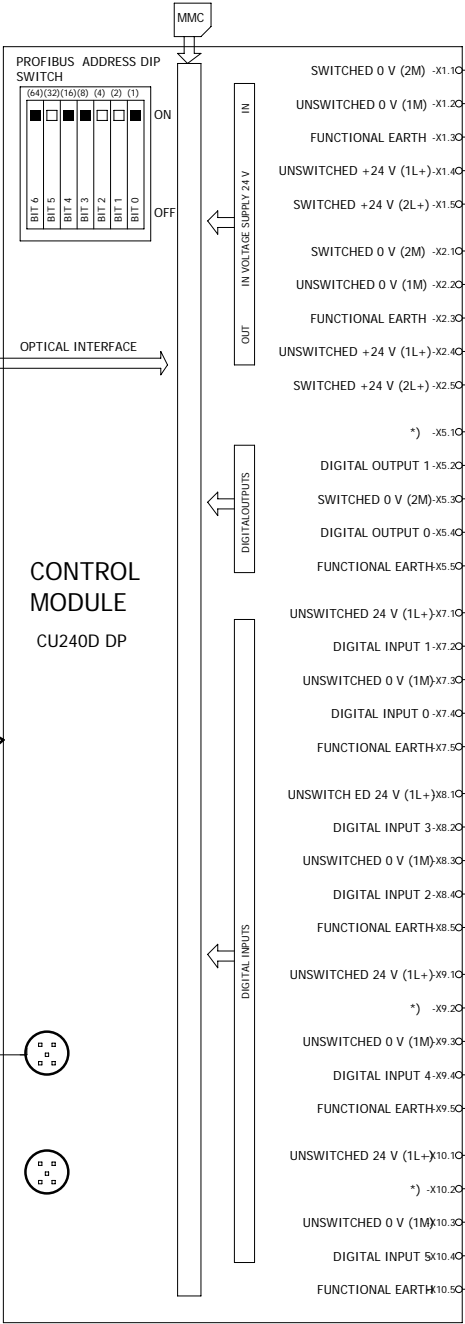
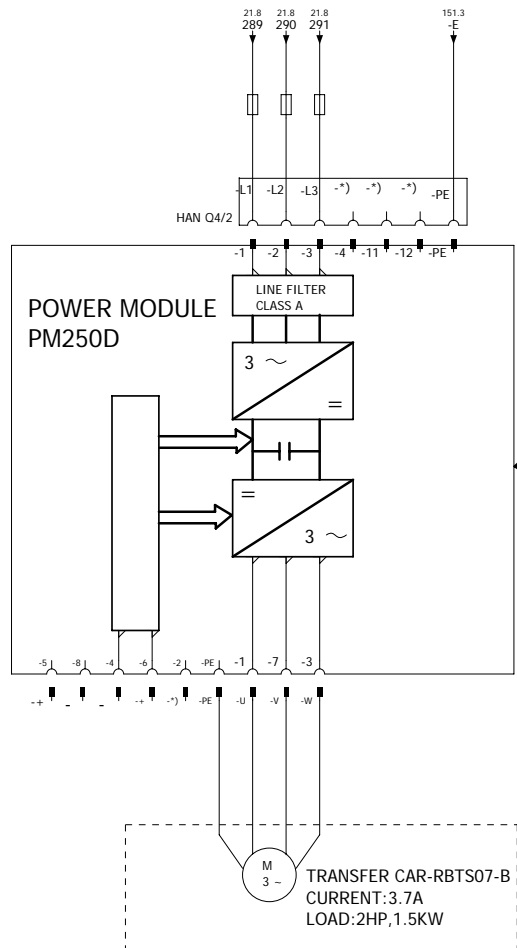
DOCUMENT ID : CY/DD/R/07  
REV : 00

DATE	NAME
	SHITAL
CHECKED	
APPROVED	

PROJECT DESCRIPTION	TITLE
HA-382 VOLVO FRANCE	NODE-88

PROJECT CODE :-	HA-382
DRAWING NUMBER :-	

**NODE-89 RBTS07-B**  
TRANSFER CAR DRIVE



PROFIBUS DP interface IN FROM NODE-88

PX278: POSITION SENSOR-1  
 PX279: POSITION SENSOR-2  
 PX280: POSITION SENSOR-3  
 PX281: POSITION SENSOR-4

DOCUMENT ID : CY/DD/R/07

REV : 00



CYBERNETIK TECHNOLOGIES  
PVT.LTD, PUNE

	Date	Name
DRAWN		SHITAL
CHECKED		
APPROVED		

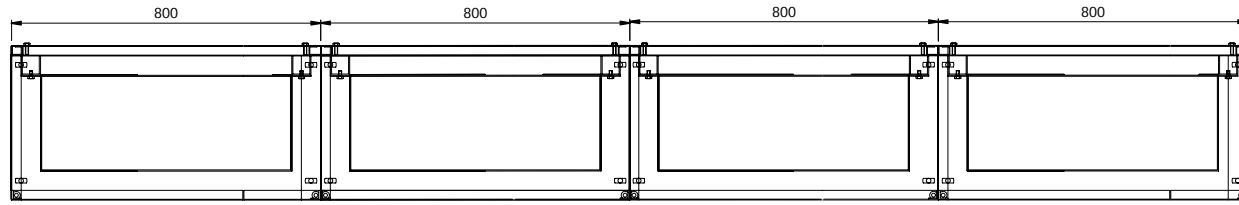
PROJECT DESCRIPTION  
HA-382 VOLVO FRANCE

TITLE  
NODE-89

PROJECT CODE :- **HA-382**

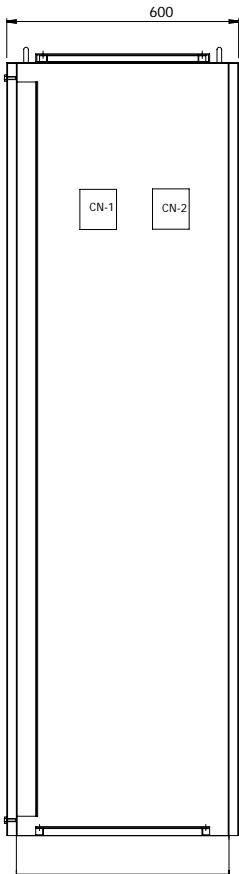
DRAWING NUMBER :-

0 1 2 3 4 5 6 7 8 9

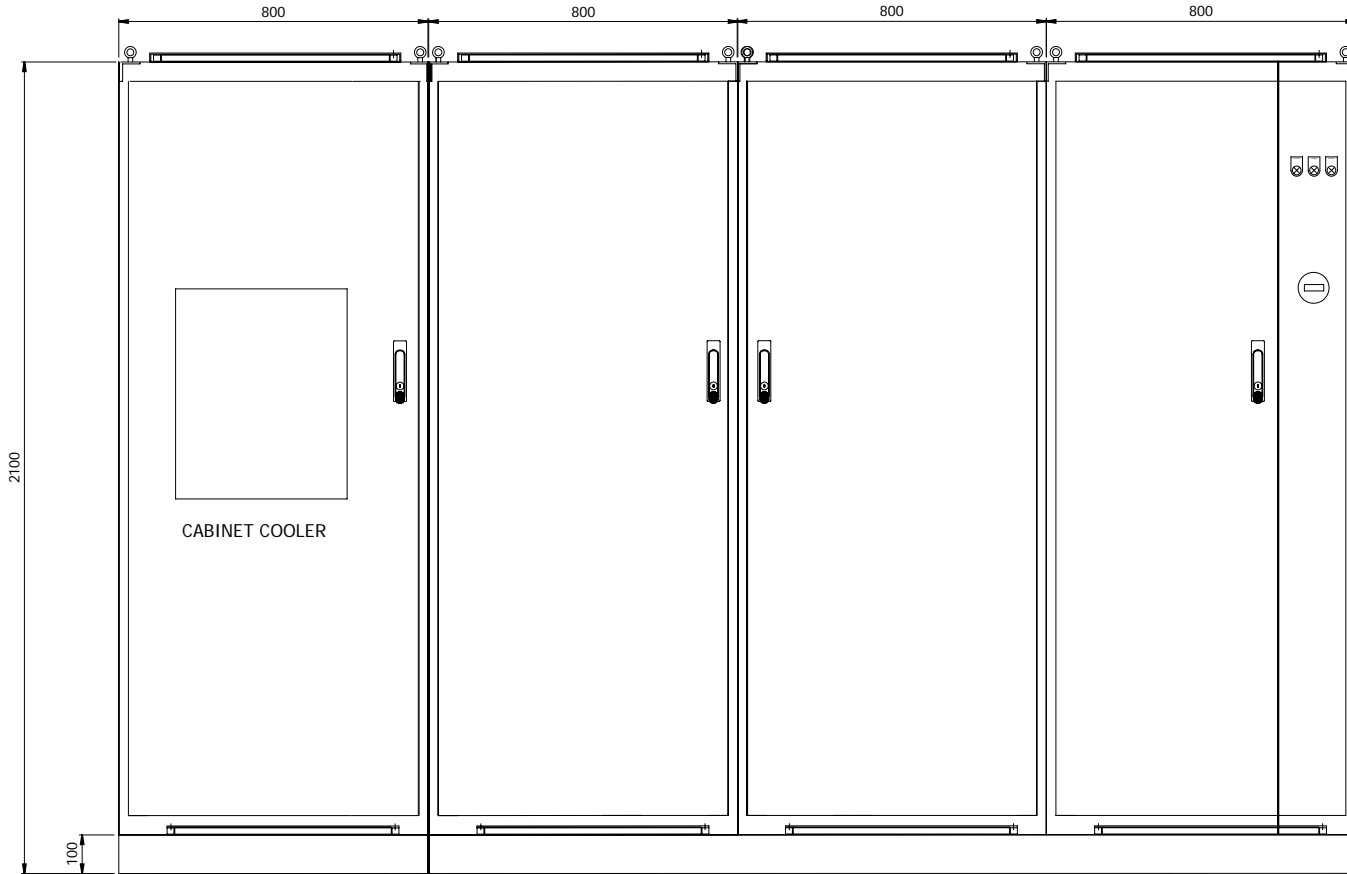


CONTROL PANEL  
 MATERIAL MS 2 MM THK  
 QTY : 1 NO.  
 POWDER COAT : RAL 7035

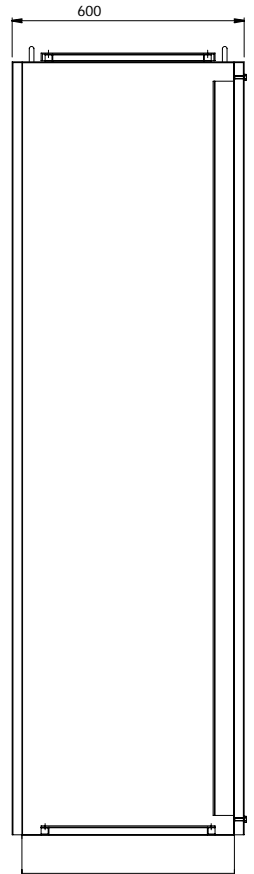
PLAN PLAN



LH SIDE VIEW



FRONT



SIDE VIEW

DOCUMENT ID : CY/DD/R/07  
 REV : 00



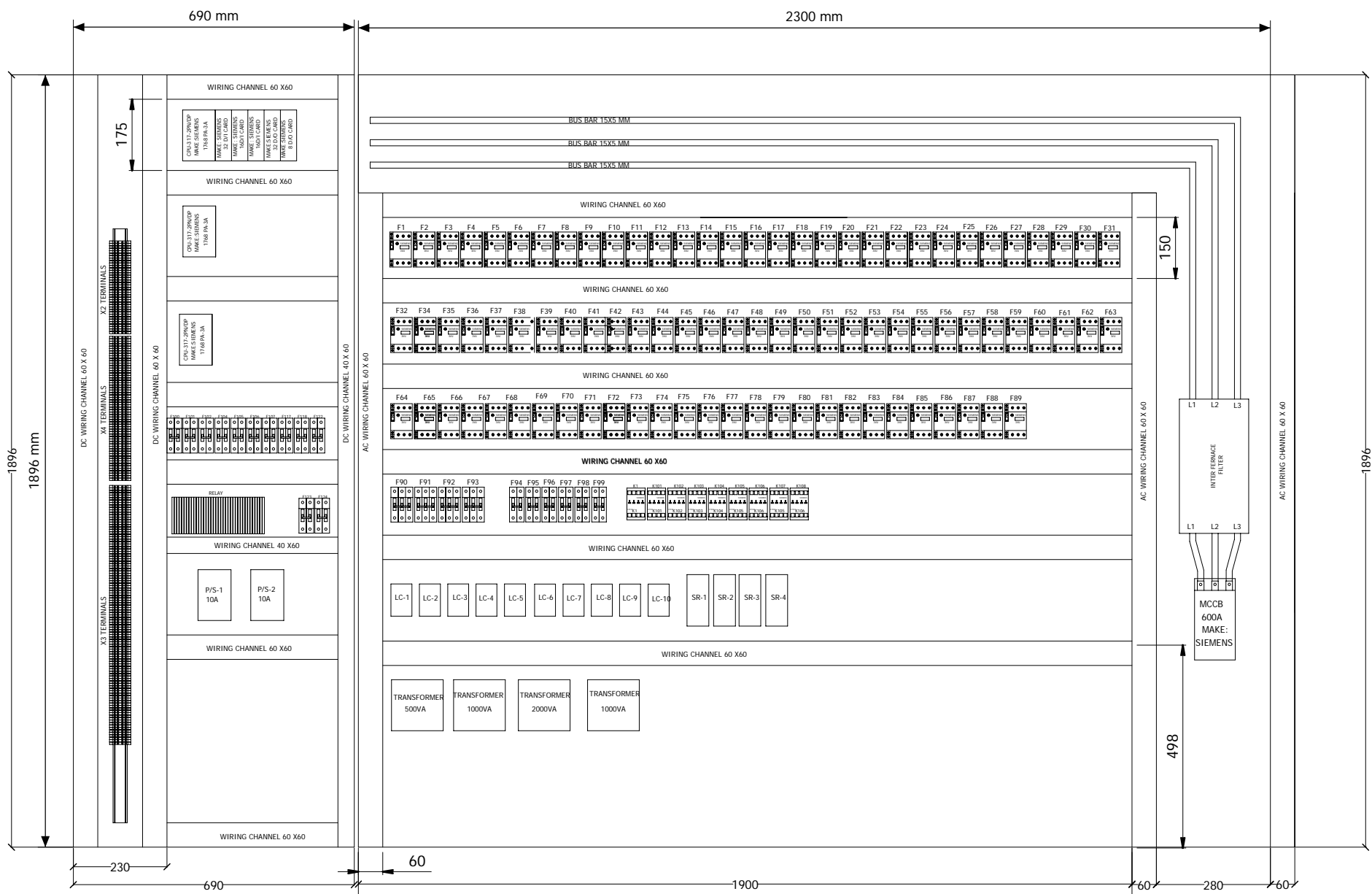
CYBERNETIK TECHNOLOGIES  
 PVT.LTD, PUNE

DRAWN	Date	Name
CHECKED		SHITAL
APPROVED		

PROJECT DESCRIPTION  
 HA-382 VOLVO FRANCE

TITLE  
 PANEL LAYOUT

PROJECT CODE :-	<b>HA-382</b>
DRAWING NUMBER :-	
Page	153
Pages	170



DOCUMENT ID : CY/DD/R/07  
REV : 00

**CYBERNETIK TECHNOLOGIES PVT.LTD, PUNE**

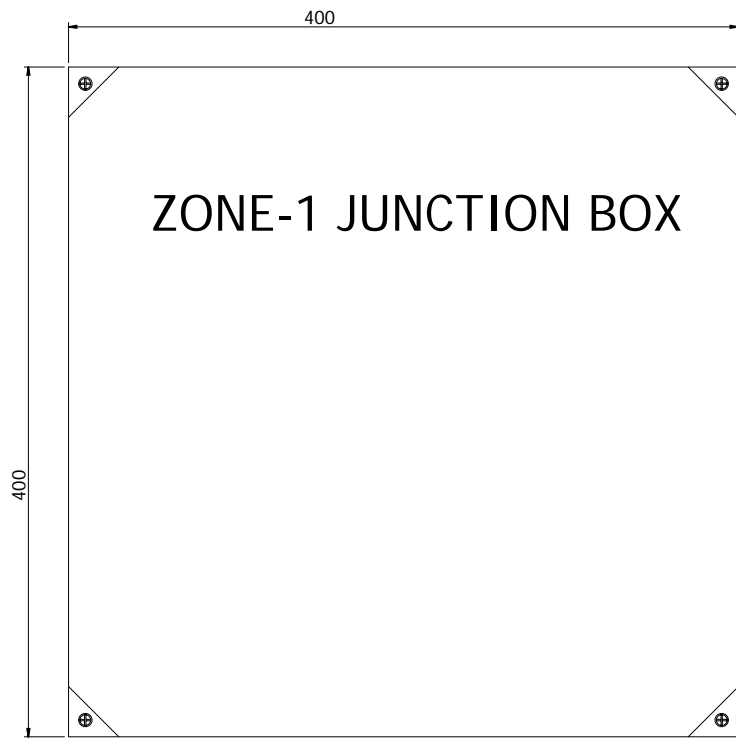
Date	Name
	SHITAL
DRAWN	
CHECKED	
APPROVED	

PROJECT DESCRIPTION  
HA-382 VOLVO FRANCE

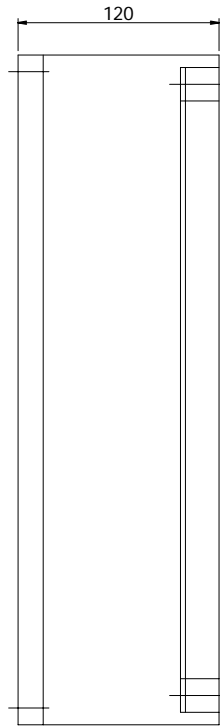
TITLE  
INTERNAL PANEL LAYOUT

PROJECT CODE :- **HA-382**  
DRAWING NUMBER :-

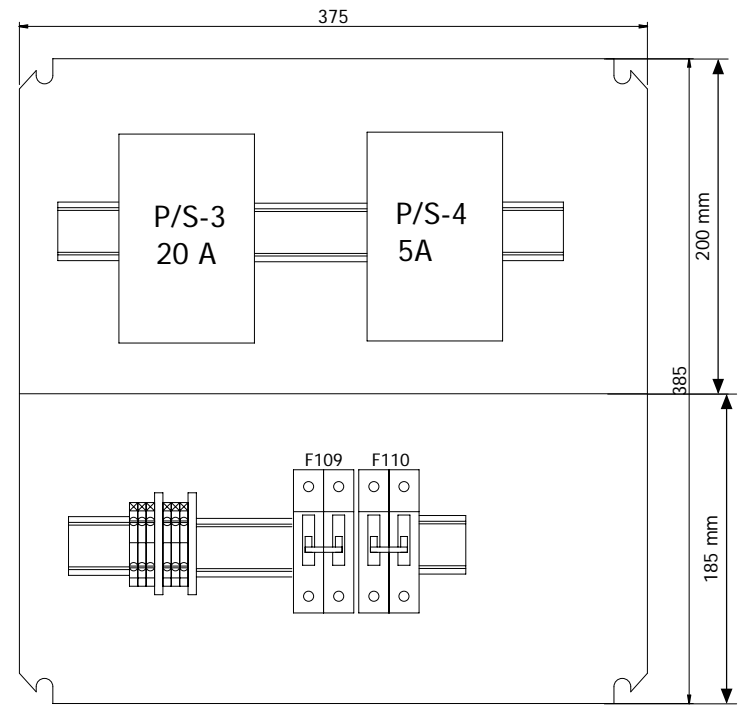
# ZONE-1 JUNCTION BOX



FRONT VIEW



SIDE VIEW



MOUNTING PLATE

DOCUMENT ID : CY/DD/R/07  
REV : 00



CYBERNETIK TECHNOLOGIES  
PVT.LTD, PUNE

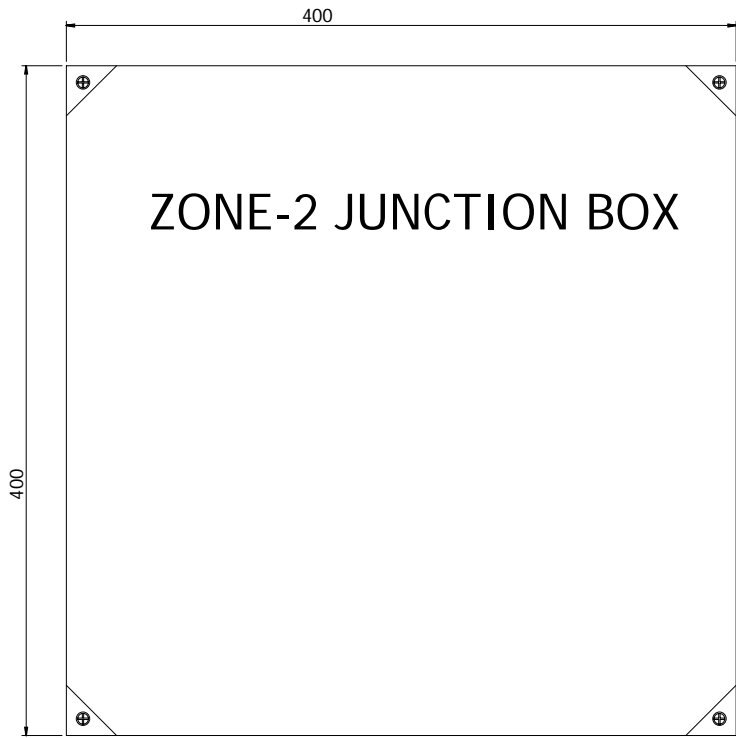
DRAWN	Date	Name
CHECKED		SHITAL
APPROVED		

PROJECT DESCRIPTION	HA-382 VOLVO FRANCE
---------------------	---------------------

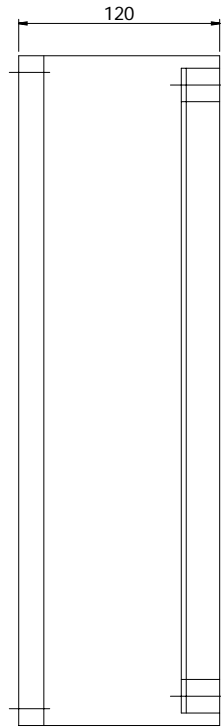
TITLE	ZONE-1 JUNCTION BOX-1
-------	-----------------------

PROJECT CODE :-	<b>HA-382</b>
DRAWING NUMBER :-	
Page	155
Pages	170

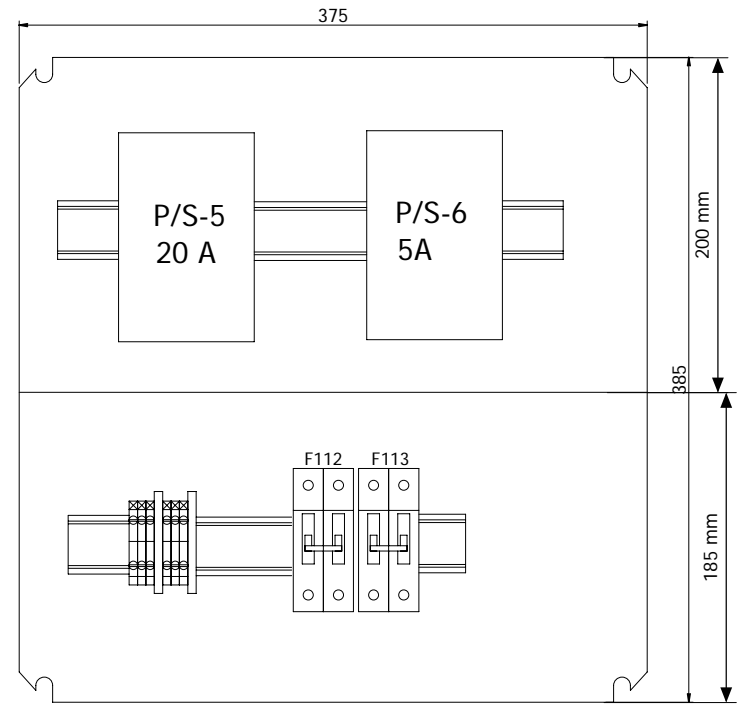
# ZONE-2 JUNCTION BOX



FRONT VIEW



SIDE VIEW



MOUNTING PLATE

DOCUMENT ID : CY/DD/R/07  
REV : 00



CYBERNETIK TECHNOLOGIES  
PVT.LTD, PUNE

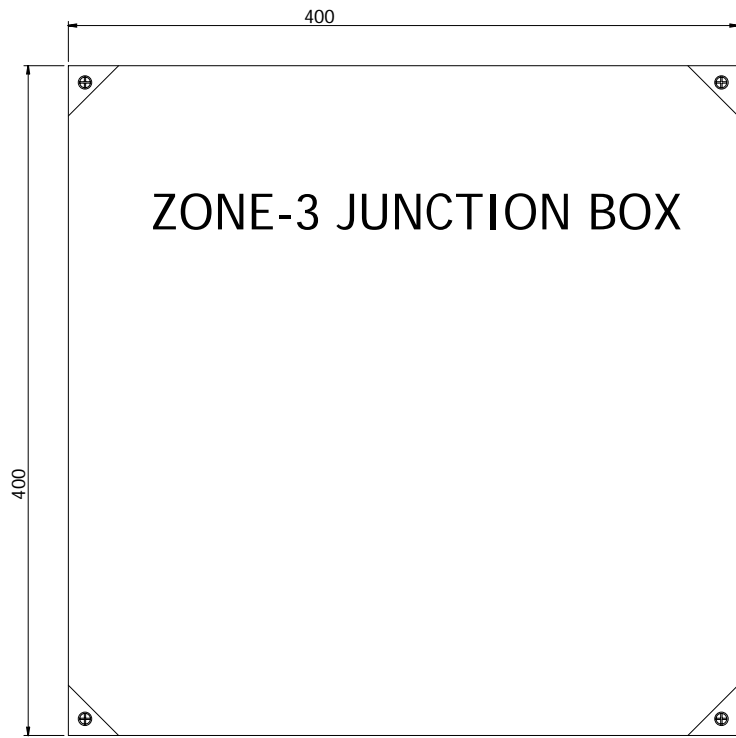
DRAWN	Date	Name
CHECKED		SHITAL
APPROVED		

PROJECT DESCRIPTION  
HA-382 VOLVO FRANCE

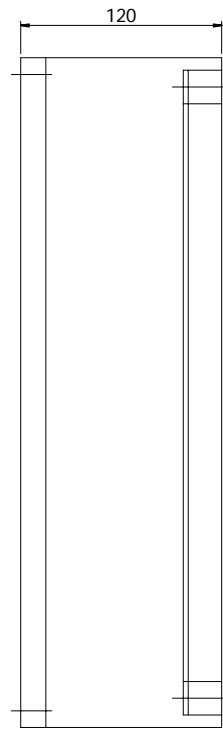
TITLE  
ZONE-2 JUNCTION BOX

PROJECT CODE:-	<b>HA-382</b>
DRAWING NUMBER :-	
Page	156
Pages	170

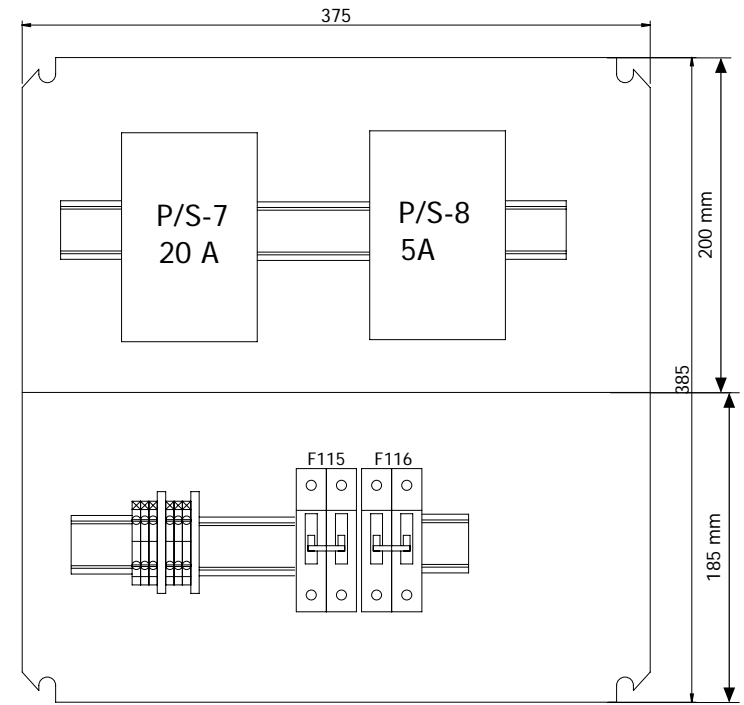
# ZONE-3 JUNCTION BOX



FRONT VIEW



SIDE VIEW



MOUNTING PLATE

DOCUMENT ID : CY/DD/R/07  
REV : 00



CYBERNETIK TECHNOLOGIES  
PVT.LTD, PUNE

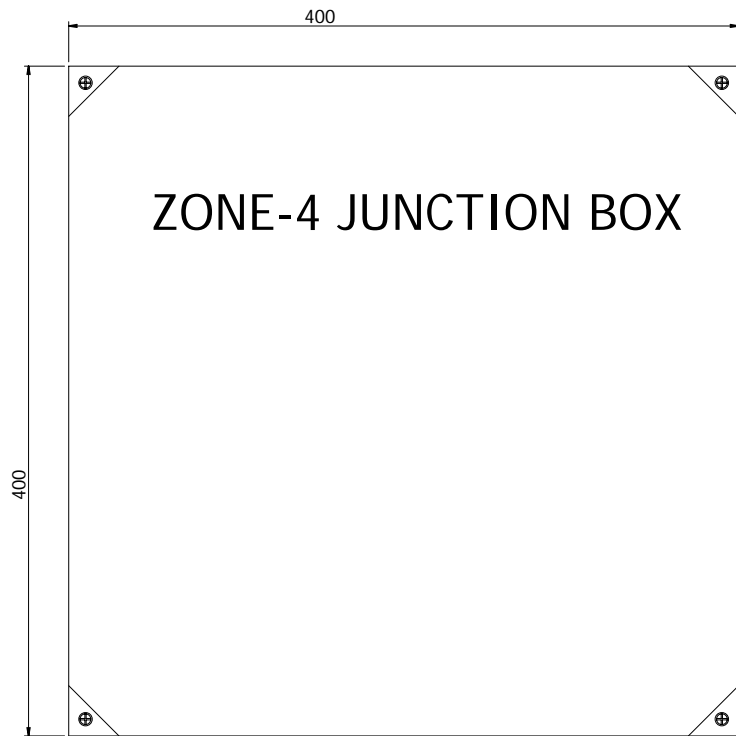
	Date	Name
DRAWN		SHITAL
CHECKED		
APPROVED		

PROJECT DESCRIPTION
HA-382 VOLVO FRANCE

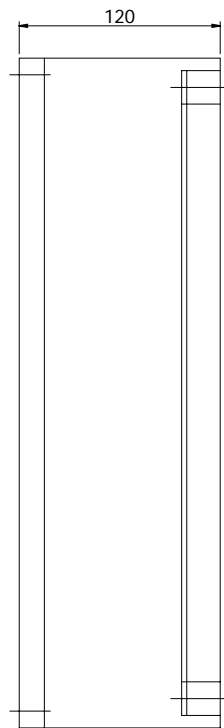
TITLE
ZONE-3 JUNCTION BOX

PROJECT CODE :-	<b>HA-382</b>	Page	157
DRAWING NUMBER :-		Pages	170

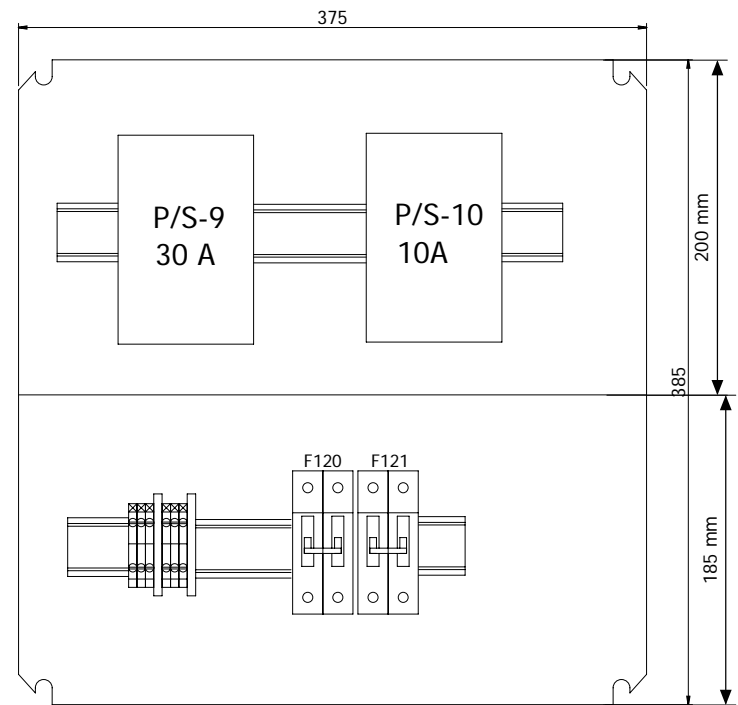
# ZONE-4 JUNCTION BOX



FRONT VIEW



SIDE VIEW



MOUNTING PLATE

DOCUMENT ID : CY/DD/R/07  
REV : 00



CYBERNETIK TECHNOLOGIES  
PVT.LTD, PUNE

DRAWN	Date	Name
CHECKED		SHITAL
APPROVED		

PROJECT DESCRIPTION
HA-382 VOLVO FRANCE

TITLE
ZONE-4 JUNCTION BOX

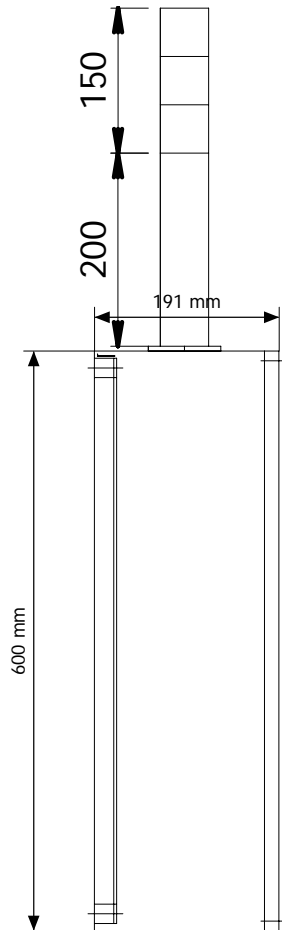
PROJECT CODE :-	<b>HA-382</b>
DRAWING NUMBER :-	
Page	158
Pages	170

# IPC STATION AT ZONE-2

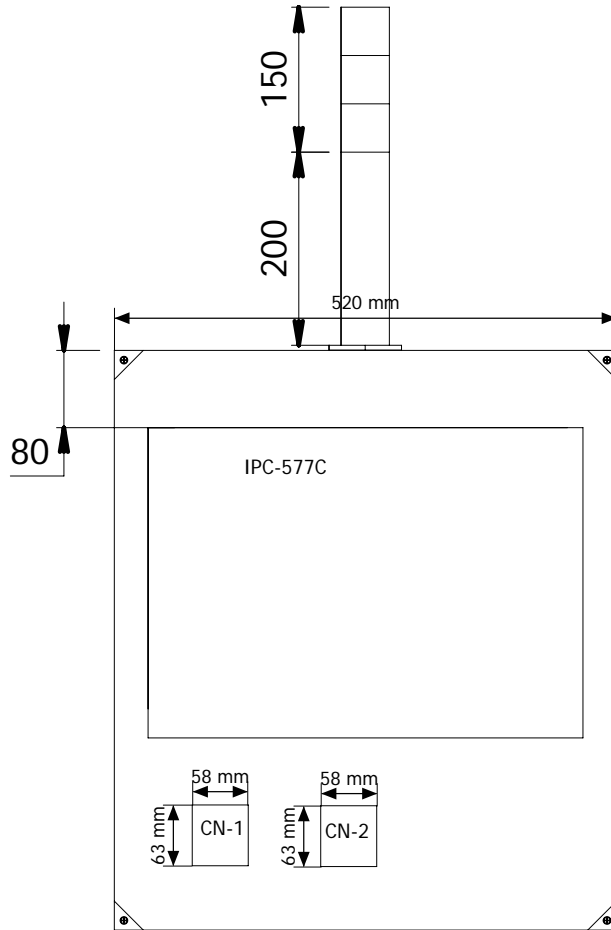
IPC BOX  
 SIZE: 520 X 600 X 191  
 MAKE : RITTAL  
 MATERIAL : M.S.  
 QTY : 1 NO.

## NOTE

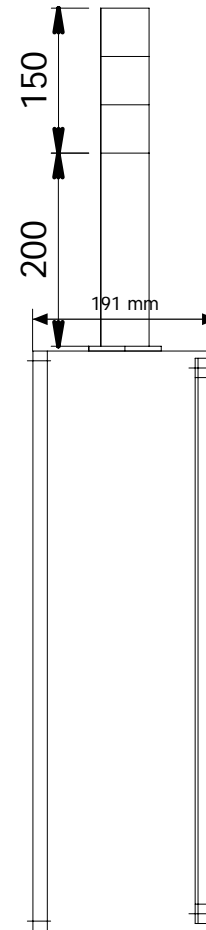
CN-1 = 100V SERVICE OUTLET  
 CN-2 = PROFINET SERVICE OUTLET  
 E S/W = PROFINET S/W



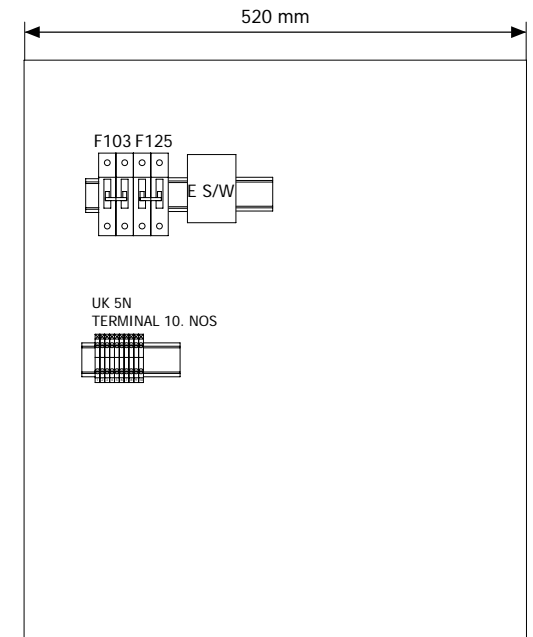
LH VIEW



FRONT VIEW



RH VIEW



MOUNTING PLATE

DOCUMENT ID : CY/DD/R/07  
 REV : 00



CYBERNETIK TECHNOLOGIES  
 PVT.LTD, PUNE

DRAWN	Date	Name
CHECKED		SHITAL
APPROVED		

PROJECT DESCRIPTION	TITLE
HA-382 VOLVO FRANCE	IPC STATION BOX

PROJECT CODE:-	HA-382
DRAWING NUMBER :-	

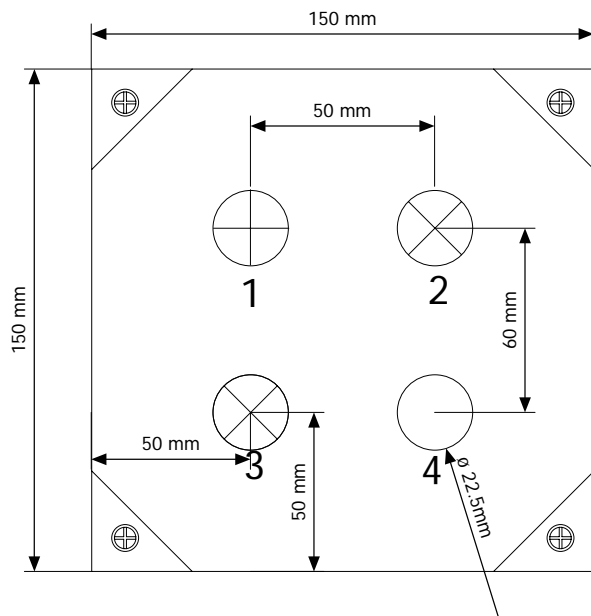
Page	159
Pages	170

# CS-1 AT RB07

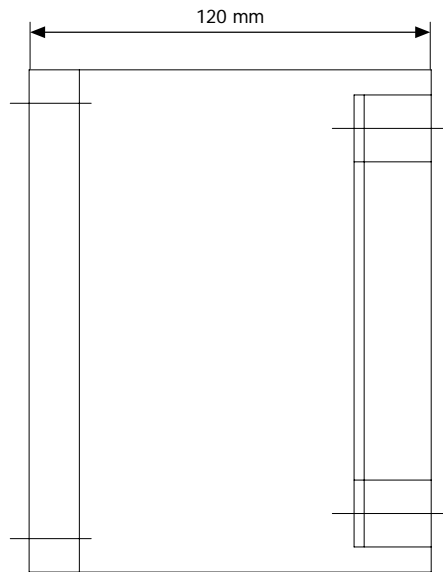
## DISPLAY TEST

- 1: RELEASE PB (BLUE)
- 2: RELEASE LAMP(YELLOW)
- 3: RB07 O/L LAMP (RED)
- 4: SPARE

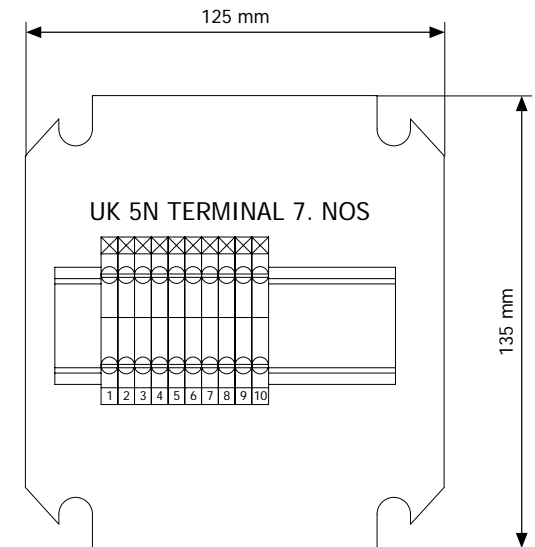
PUSH BUTTON BOX  
 SIZE:150 X 150 X 120  
 MAKE : RITTAL  
 MATERIAL : M.S.  
 QTY : 1 NO.



FRONT VIEW



RH VIEW



MOUNTING PLATE

DOCUMENT ID : CY/DD/R/07  
 REV : 00



CYBERNETIK TECHNOLOGIES  
 PVT.LTD, PUNE

DRAWN	Date	Name
CHECKED		SHITAL
APPROVED		

PROJECT DESCRIPTION	TITLE
HA-382 VOLVO FRANCE	CS-1

PROJECT CODE:-	HA-382
DRAWING NUMBER :-	

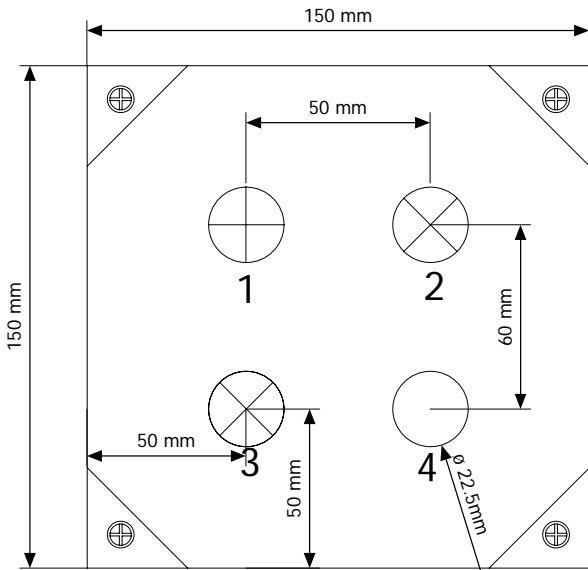
Page	160
Pages	170

# CS-2 AT RB08

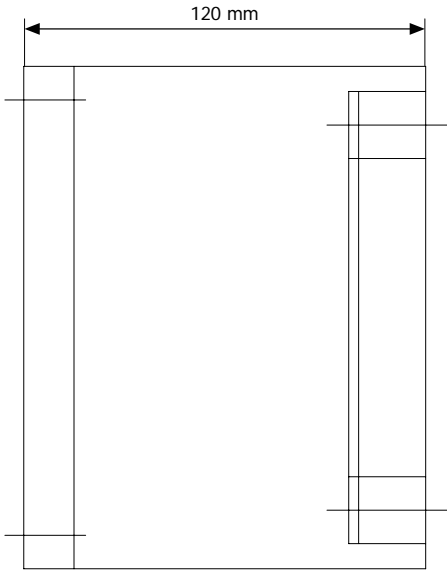
## DISPLAY TEST

- 1: RELEASE PB (BLUE)
- 2: RELEASE LAMP(YELLOW)
- 3: RB08 O/L LAMP (RED)
- 4: SPARE

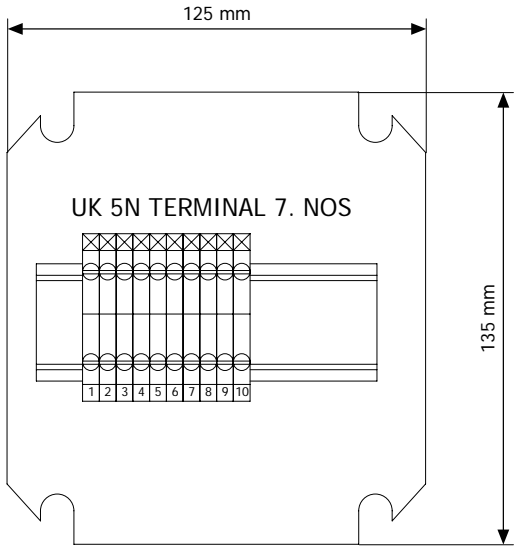
PUSH BUTTON BOX  
 SIZE:150 X 150 X 120  
 MAKE : RITTAL  
 MATERIAL : M.S.  
 QTY : 1 NO.



FRONT VIEW




RH VIEW



MOUNTING PLATE

DOCUMENT ID : CY/DD/R/07  
 REV : 00

 CYBERNETIK TECHNOLOGIES  
 PVT.LTD, PUNE

DRAWN	Date	Name
CHECKED		SHITAL
APPROVED		

PROJECT DESCRIPTION	TITLE
HA-382 VOLVO FRANCE	CS-2

PROJECT CODE:-	HA-382
DRAWING NUMBER :-	

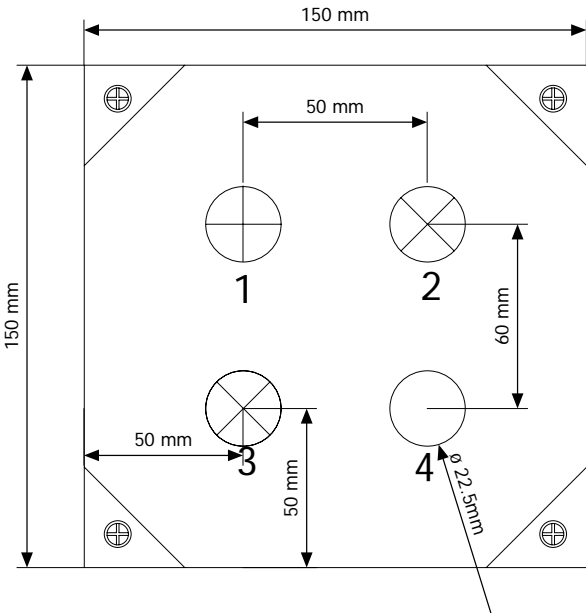
Page	161
Pages	170

# CS-3 AT RB09

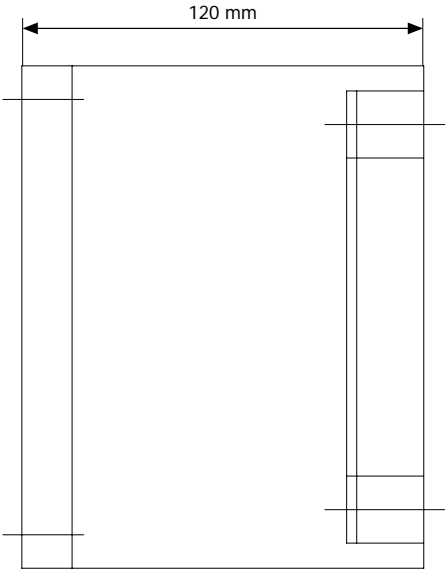
## DISPLAY TEST

- 1: RELEASE PB (BLUE)
- 2: RELEASE LAMP(YELLOW)
- 3: RB09 O/L LAMP (RED)
- 4: SPARE

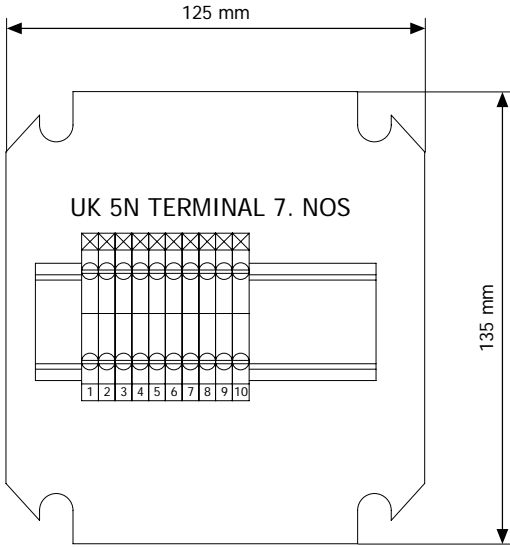
PUSH BUTTON BOX  
 SIZE:150 X 150 X 120  
 MAKE : RITTAL  
 MATERIAL : M.S.  
 QTY : 1 NO.



FRONT VIEW



RH VIEW



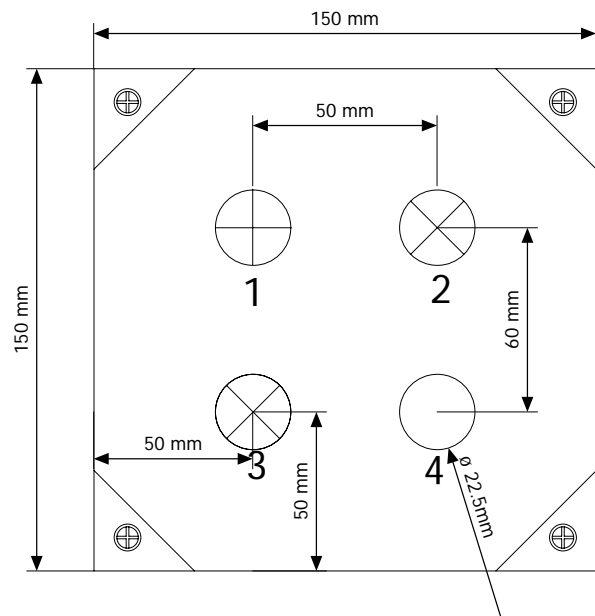
MOUNTING PLATE

# CS-4 AT RB10

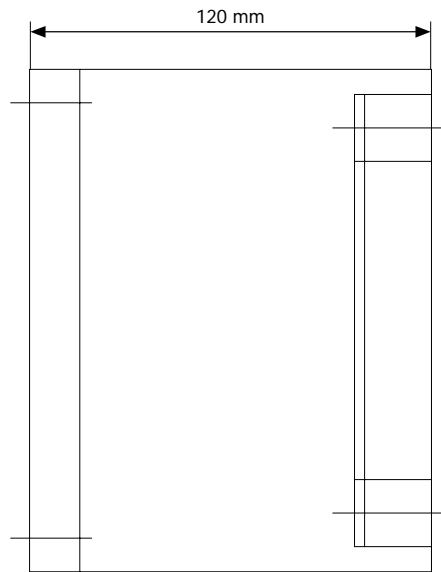
## DISPLAY TEST

- 1: RELEASE PB (BLUE)
- 2: RELEASE LAMP(YELLOW)
- 3: RB10 O/L LAMP (RED)
- 4: SPARE

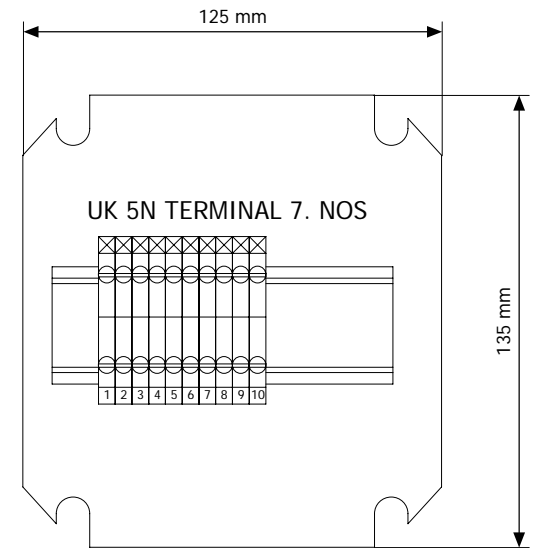
PUSH BUTTON BOX  
 SIZE:150 X 150 X 120  
 MAKE : RITTAL  
 MATERIAL : M.S.  
 QTY : 1 NO.



FRONT VIEW



RH VIEW



MOUNTING PLATE

DOCUMENT ID : CY/DD/R/07  
 REV : 00



CYBERNETIK TECHNOLOGIES  
 PVT.LTD, PUNE

DRAWN	Date	Name
CHECKED		SHITAL
APPROVED		

PROJECT DESCRIPTION	TITLE
HA-382 VOLVO FRANCE	CS-4

PROJECT CODE:-	HA-382
DRAWING NUMBER :-	

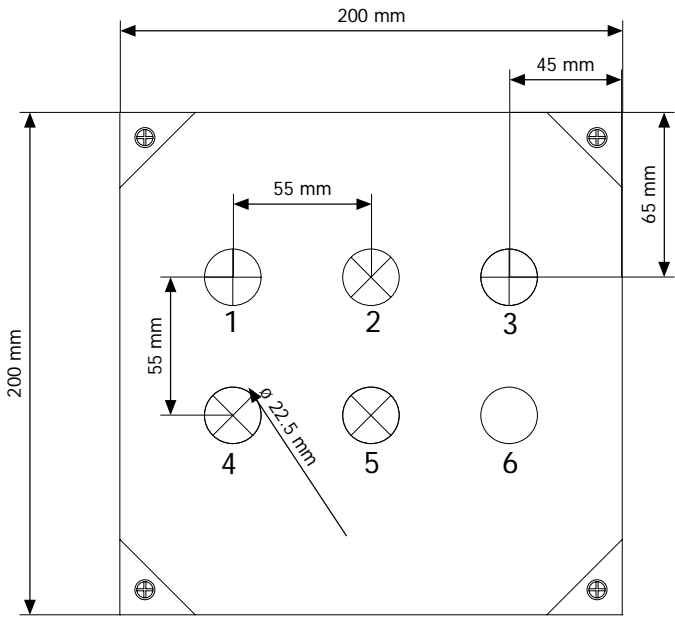
Page	163
Pages	170

# CS-4 AT RBSL01

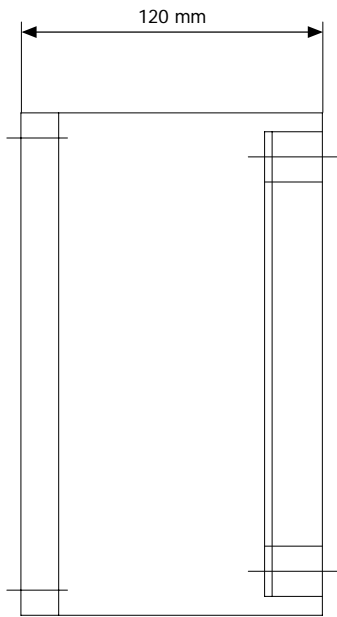
## DISPLAY TEST

- 1: RELEASE PB (BLUE)
- 2: RELEASE LAMP (YELLOW)
- 3: LIFT UP PB (GREEN)
- 4: RBSL01-A O/L LAMP (RED)
- 5: RBSL01-B O/L LAMP (RED)
- 6: SPARE

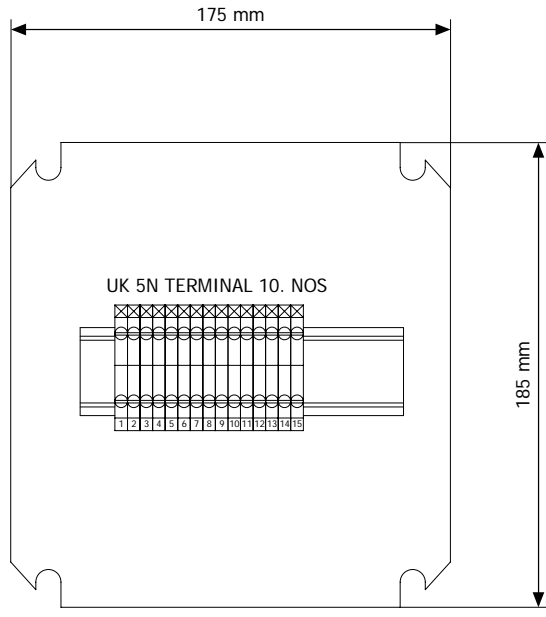
PUSH BUTTON BOX  
 SIZE:200 X 200 X 120  
 MAKE : RITTAL  
 MATERIAL : M.S.  
 QTY : 1 NO.



FRONT VIEW



RH VIEW



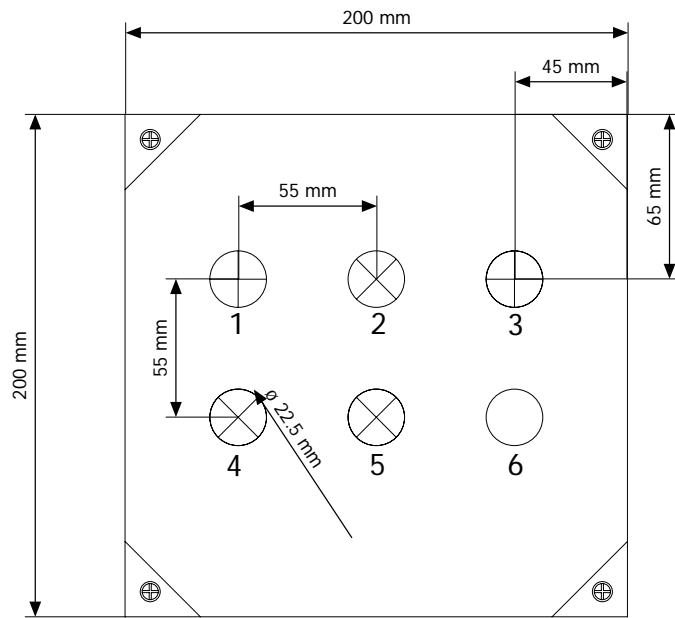
MOUNTING PLATE

# CS-6 AT RBSL02

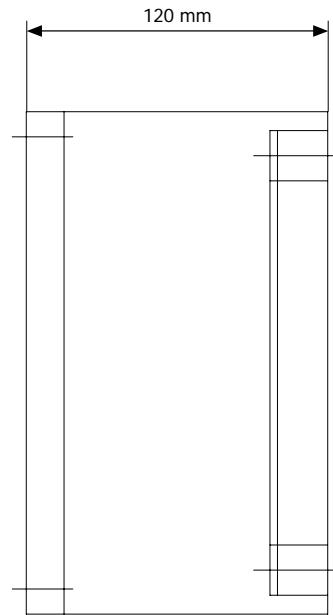
## DISPLAY TEST

- 1: RELEASE PB (BLUE)
- 2: RELEASE LAMP (YELLOW)
- 3: LIFT UP PB (GREEN)
- 4: RBSL02-A O/L LAMP (RED)
- 5: RBSL02-B O/L LAMP (RED)
- 6: SPARE

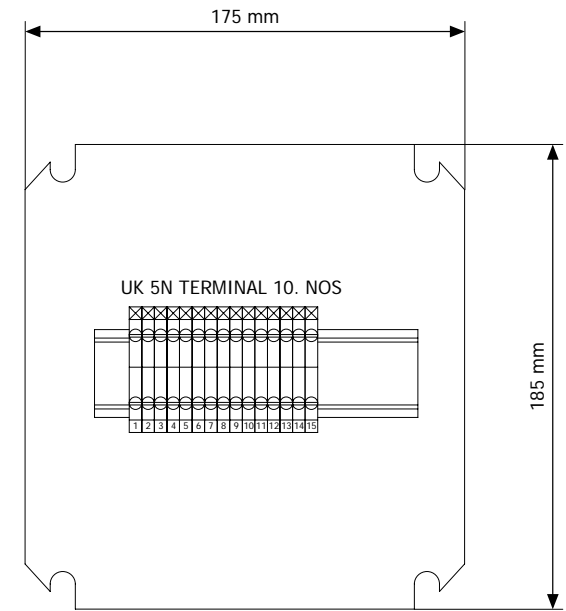
PUSH BUTTON BOX  
 SIZE:200 X 200 X 120  
 MAKE : RITTAL  
 MATERIAL : M.S.  
 QTY : 1 NO.



FRONT VIEW



RH VIEW



MOUNTING PLATE

DOCUMENT ID : CY/DD/R/07  
 REV : 00



CYBERNETIK TECHNOLOGIES  
 PVT.LTD, PUNE

DRAWN	Date	Name
CHECKED		SHITAL
APPROVED		

PROJECT DESCRIPTION	TITLE
HA-382 VOLVO FRANCE	CS-6

PROJECT CODE:-	HA-382
DRAWING NUMBER :-	

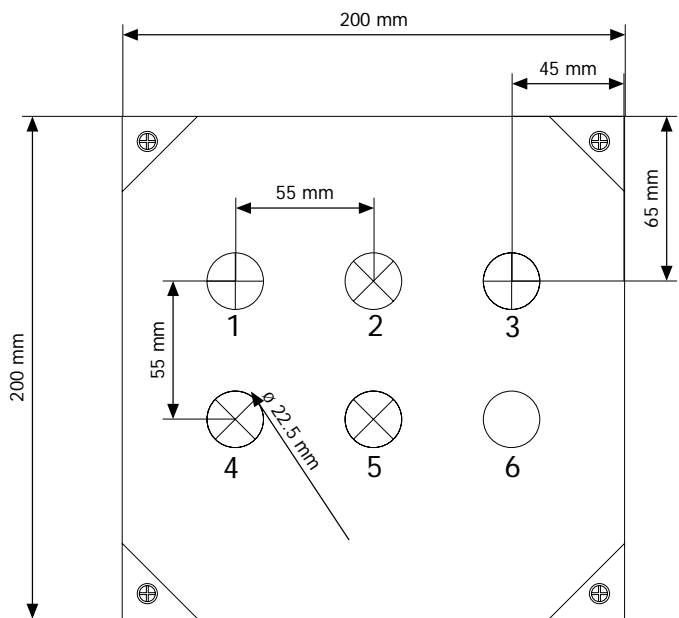
Page	165
Pages	170

# CS-7 AT RBSL03

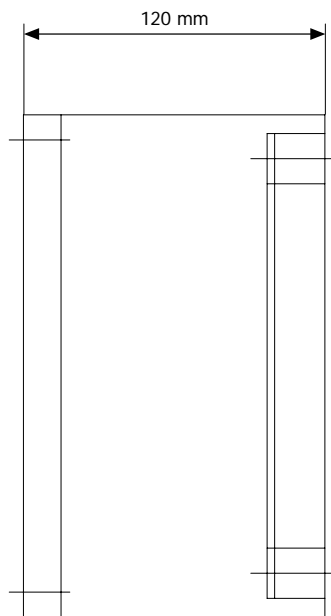
## DISPLAY TEST

- 1: RELEASE PB (BLUE)
- 2: RELEASE LAMP (YELLOW)
- 3: LIFT UP PB (GREEN)
- 4: RBSL03-A O/L LAMP (RED)
- 5: RBSL03-B O/L LAMP (RED)
- 6: SPARE

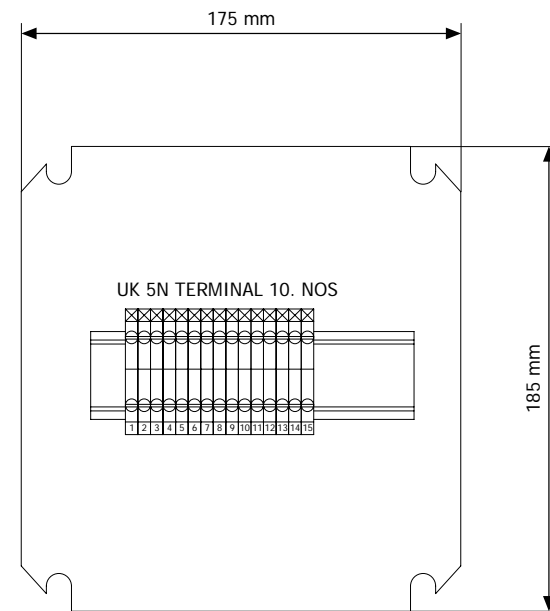
PUSH BUTTON BOX  
 SIZE:200 X 200 X 120  
 MAKE : RITTAL  
 MATERIAL : M.S.  
 QTY : 1 NO.



FRONT VIEW



RH VIEW



MOUNTING PLATE



DRAWN	Date	Name
CHECKED		SHITAL
APPROVED		

PROJECT DESCRIPTION	TITLE
HA-382 VOLVO FRANCE	CS-7

PROJECT CODE:-	HA-382
DRAWING NUMBER :-	

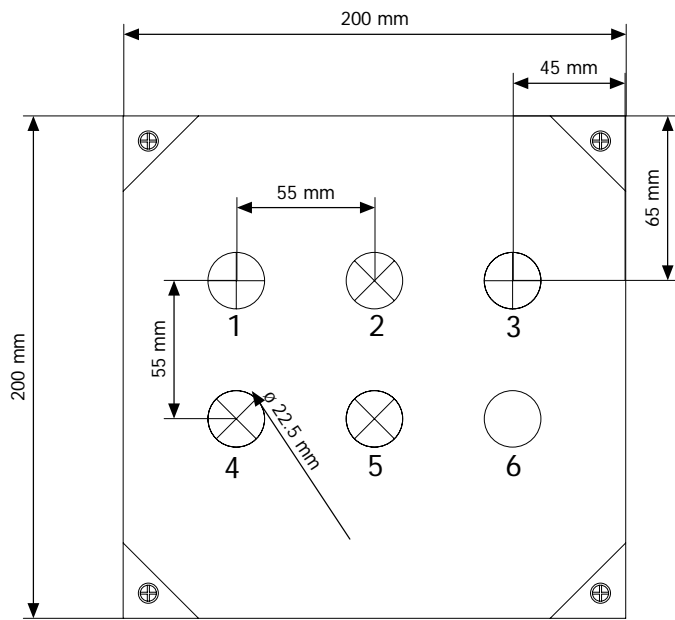
Page	166
Pages	170

# CS-8 AT RBSL04

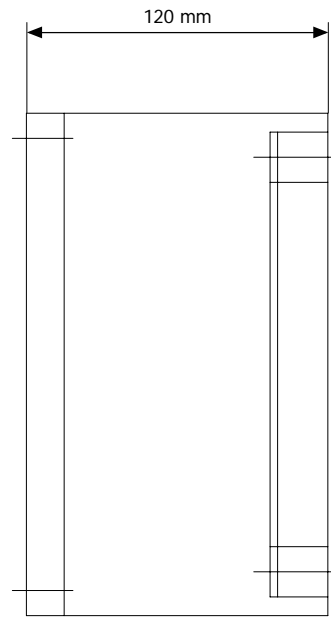
## DISPLAY TEST

- 1: RELEASE PB (BLUE)
- 2: RELEASE LAMP (YELLOW)
- 3: LIFT UP PB (GREEN)
- 4: RBSL04-A O/L LAMP (RED)
- 5: RBSL04-B O/L LAMP (RED)
- 6: SPARE

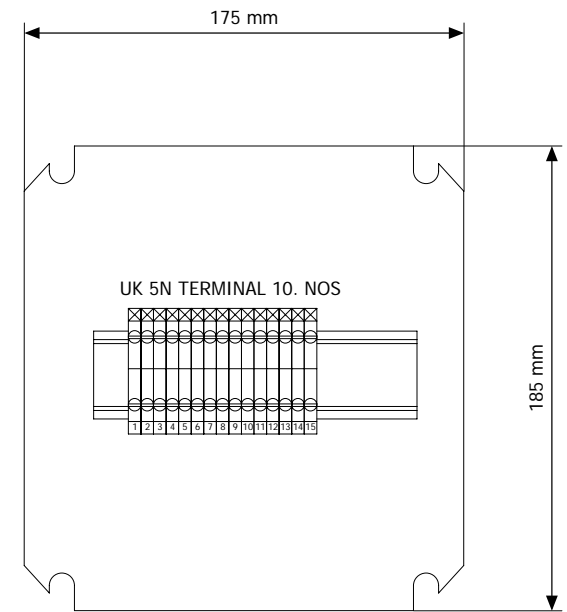
PUSH BUTTON BOX  
 SIZE:200 X 200 X 120  
 MAKE : RITTAL  
 MATERIAL : M.S.  
 QTY : 1 NO.



FRONT VIEW



RH VIEW



MOUNTING PLATE

DOCUMENT ID : CY/DD/R/07  
 REV : 00



CYBERNETIK TECHNOLOGIES  
 PVT.LTD, PUNE

DRAWN	Date	Name
CHECKED		SHITAL
APPROVED		

PROJECT DESCRIPTION	TITLE
HA-382 VOLVO FRANCE	CS-8

PROJECT CODE:-	HA-382
DRAWING NUMBER :-	

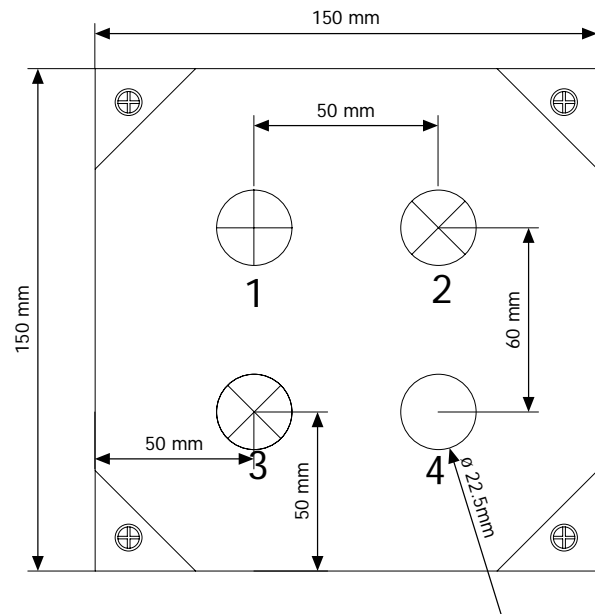
Page	167
Pages	170

# CS-9 AT RB27

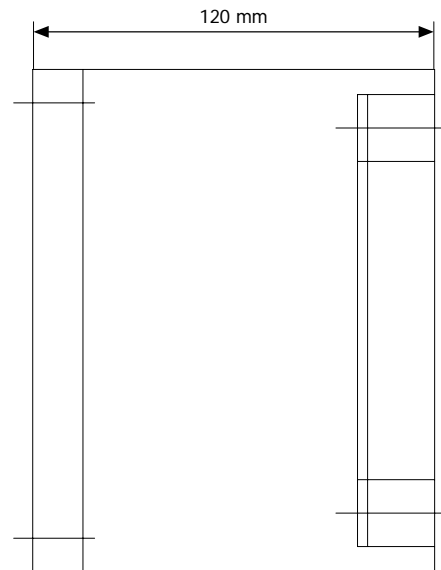
## DISPLAY TEST

- 1: RELEASE PB (BLUE)
- 2: RELEASE LAMP(YELLOW)
- 3: RB27 O/L LAMP (RED)
- 4: SPARE

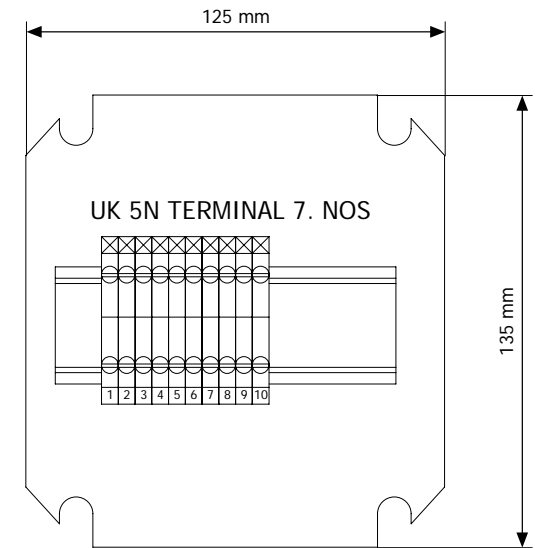
PUSH BUTTON BOX  
 SIZE:150 X 150 X 120  
 MAKE : RITTAL  
 MATERIAL : M.S.  
 QTY : 1 NO.



FRONT VIEW



RH VIEW



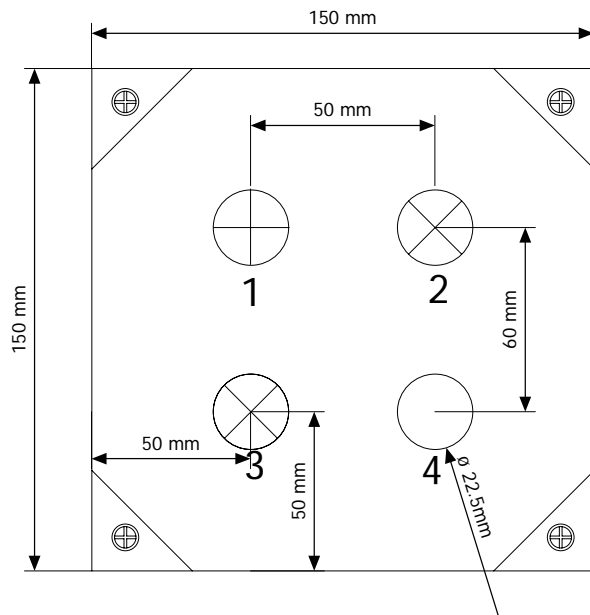
MOUNTING PLATE

# CS-10 AT RB28

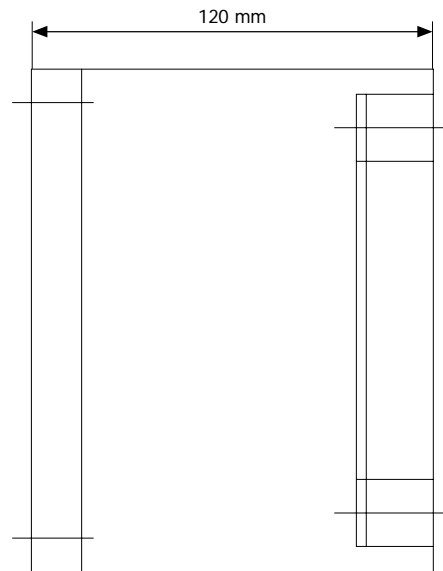
## DISPLAY TEST

- 1: RELEASE PB (BLUE)
- 2: RELEASE LAMP(YELLOW)
- 3: RB28 O/L LAMP (RED)
- 4: SPARE

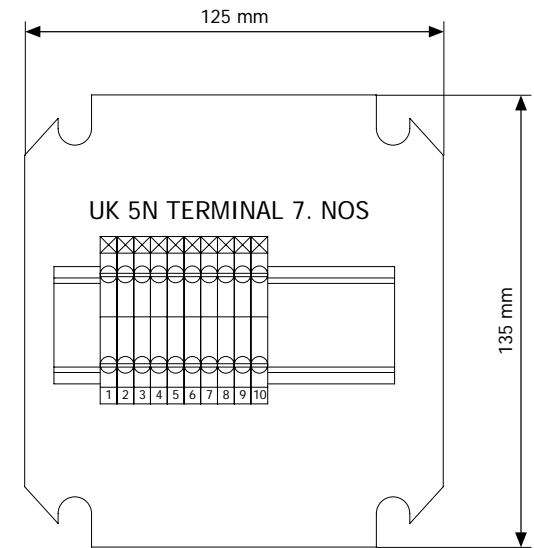
PUSH BUTTON BOX  
 SIZE:150 X 150 X 120  
 MAKE : RITTAL  
 MATERIAL : M.S.  
 QTY : 1 NO.



FRONT VIEW



RH VIEW



MOUNTING PLATE

DOCUMENT ID : CY/DD/R/07  
 REV : 00

**CYBERNETIK TECHNOLOGIES**  
 PVT.LTD, PUNE

DATE	NAME
CHECKED	SHITAL
APPROVED	

PROJECT DESCRIPTION  
 HA-382 VOLVO FRANCE

TITLE  
 CS-10

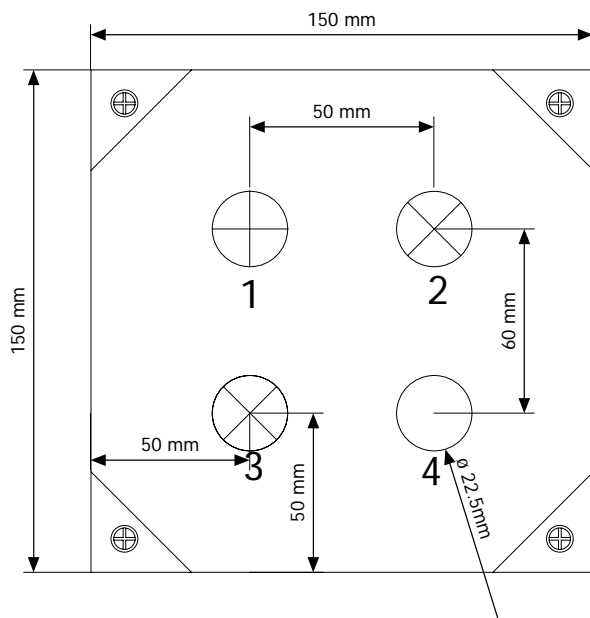
PROJECT CODE:-	<b>HA-382</b>
DRAWING NUMBER :-	
Page	169
Pages	170

# CS-4 AT RB31

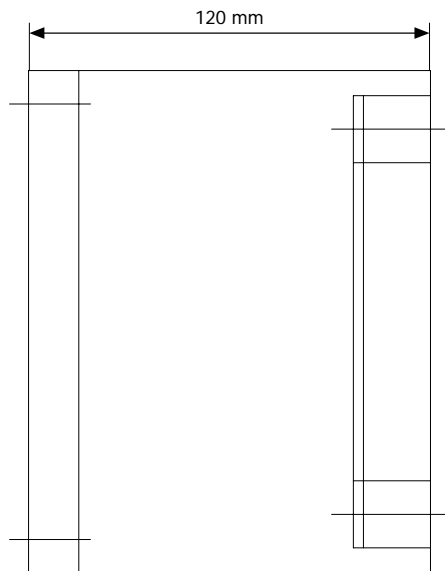
## DISPLAY TEST

- 1: RELEASE PB (BLUE)
- 2: RELEASE LAMP(YELLOW)
- 3: RB31 O/L LAMP (RED)
- 4: SPARE

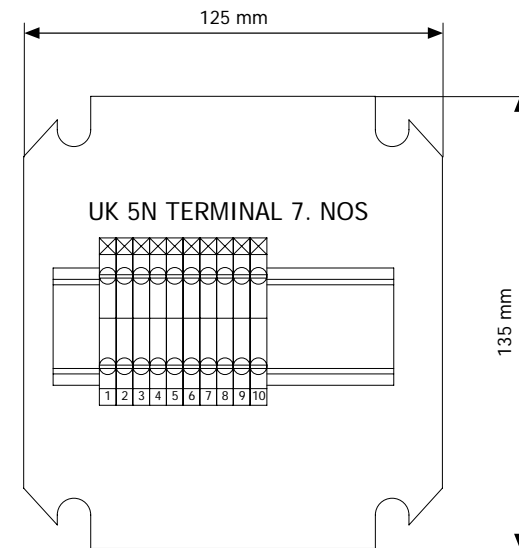
PUSH BUTTON BOX  
 SIZE:150 X 150 X 120  
 MAKE : RITTAL  
 MATERIAL : M.S.  
 QTY : 1 NO.



FRONT VIEW



RH VIEW



MOUNTING PLATE



DRAWN	Date	Name
CHECKED		SHITAL
APPROVED		

PROJECT DESCRIPTION	TITLE
HA-382 VOLVO FRANCE	CS-11

PROJECT CODE:-	HA-382
DRAWING NUMBER :-	

Page	170
Pages	170